



**ASKILAR**  
HANGERS

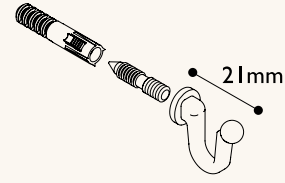
**PORTMANTOLAR**  
COAT RACKS

**ÇESITLİ ÜRÜNLER**  
MISCELLANEOUS

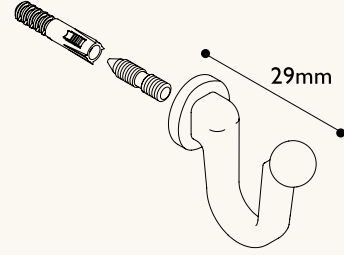




23.105



23.106

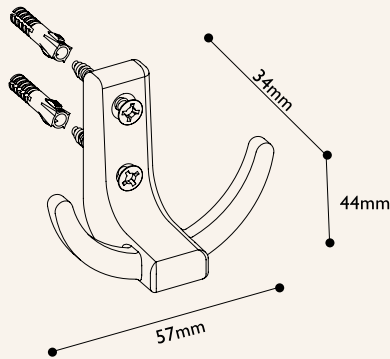


Code	Screw (mm)	Material	set	kg
23.105	M4	Zamak	160	6.30
23.106	M4	Zamak	160	9.00

23.111



Colors 01,02,18,21,24

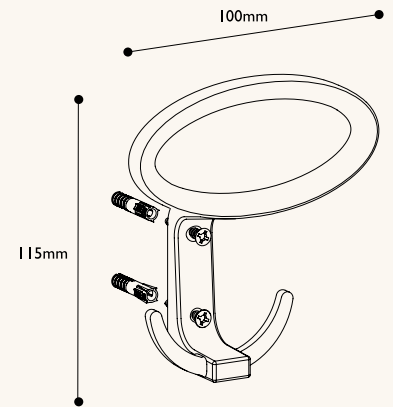


Material	pcs	kg
Zamak	400	22.30

23.112

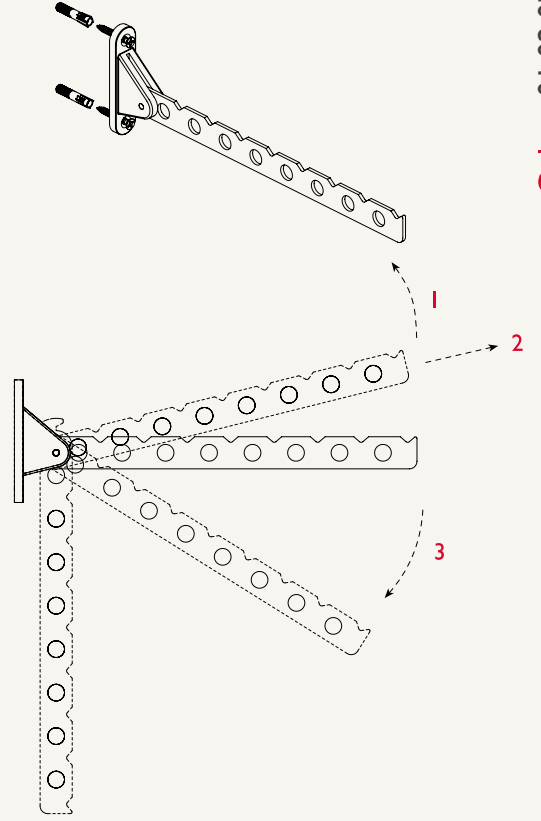
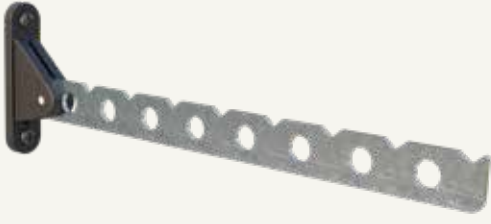


Colors 01,02,18,21,24



Material	pcs	kg
Zamak	80	10.95

23.130



Colors 01,02,07,18

Length(mm)

300

Material

Steel + Plastic

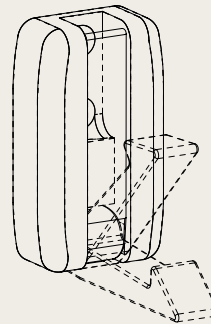
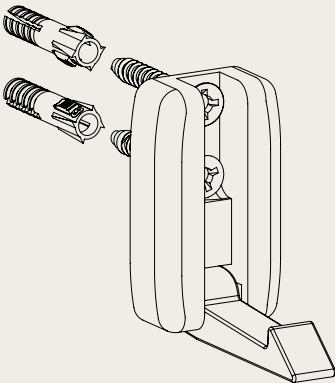


50



10.66

23.133



Colors 18,21,24

Size(mm)

134x66

Material

Steel Tube

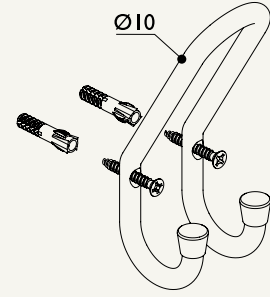


40

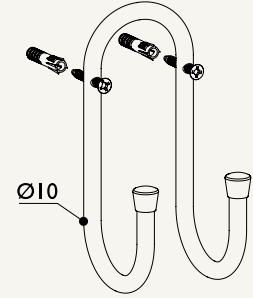


2.90

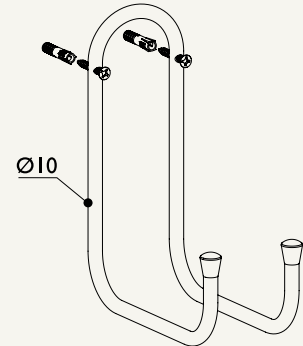
**Code : 23.116**



**Code : 23.136**



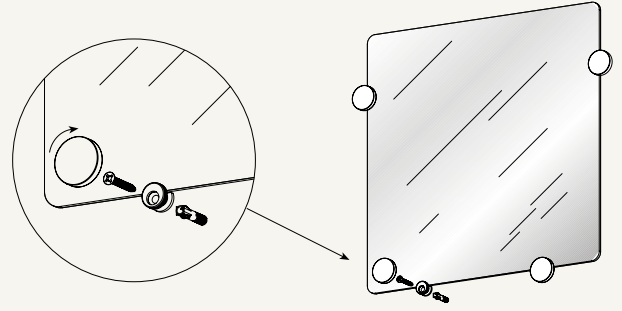
**Code : 23.137**





Code	Size(mm)	Material	pcs	kg
23.116	58x134x66	Steel Tube	80	8.90
23.136	76x151x76	Steel Tube	48	6.80
23.137	76x205x170	Steel Tube	30	6.10

27.102

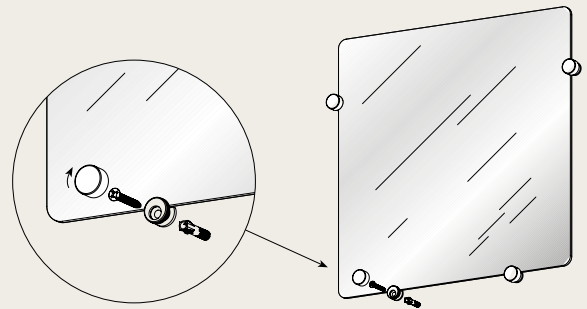
Colors 18,21,24





Ø(mm)	Material	 set	 kg
28	Plastic	100	3.70

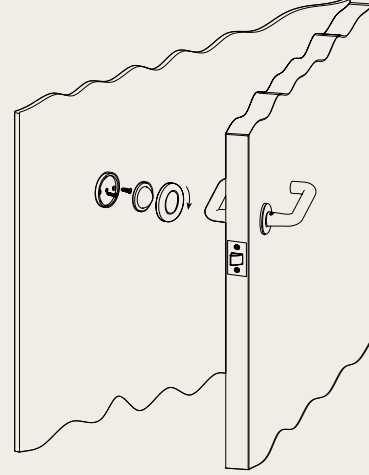
27.100

Colors 18,21,24



Ø(mm)	Material	 set	 kg
17	Plastic	160	8.05

33.025



Frame Colors 02, 18, 21, 24

Ø(mm)

H(mm)

Material



64

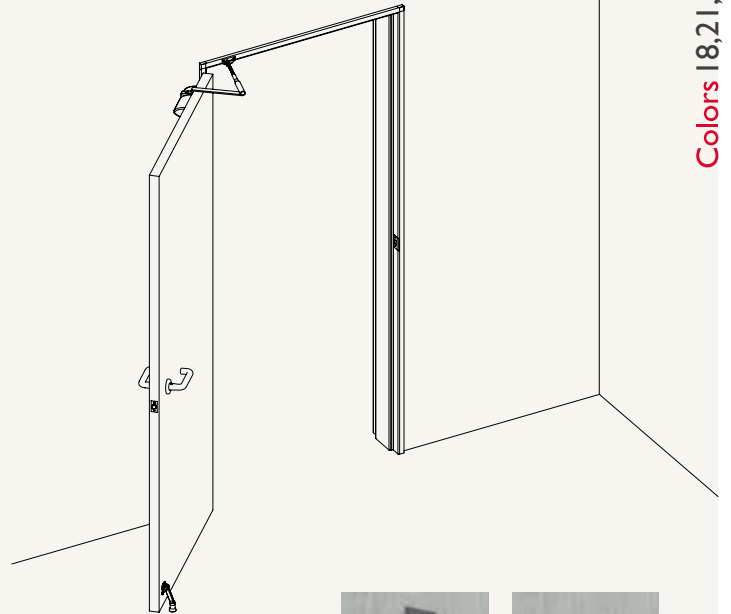
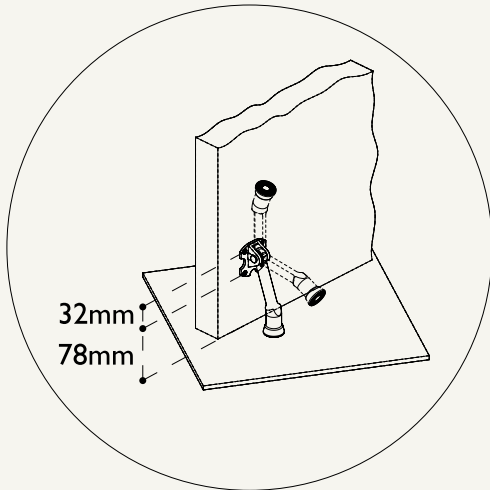
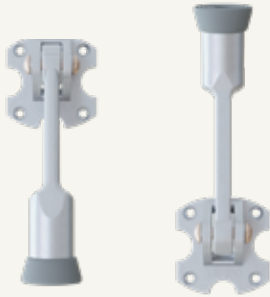
24

Plastic

150

7.25

33.030



Colors 18, 21, 24



Length(mm)

Size(mm)

Material



110

45x26

Zamak + Plastic

45

8.10

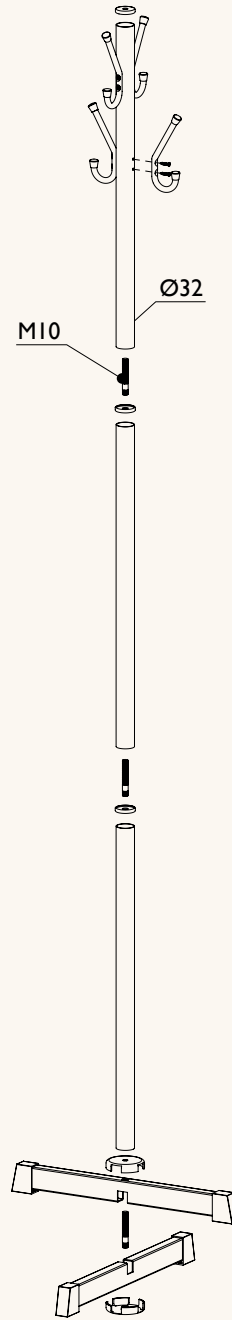
23.119



Hanger Colors 02 Tube Colors 01,02,18,21,24 Base Colors 02

ØBase(mm)	Height (mm)	Material	set	kg
360	1850	Steel + Plastic Hangers	1	6.60

23.118



Base Colors 02 Tube Colors 01,02,18,21,24 Hanger Colors 01,02,18,21,24

Base Size (mm)	Height (mm)	Material	set	kg
420	1800	Steel	1	2.95