

A photograph of a modern kitchen sink area. The sink is a dark, rectangular stainless steel drop-in style, set into a white, glossy countertop. A sleek, chrome faucet with a high, curved spout and a single-lever handle is positioned to the right of the sink. Below the countertop, white cabinetry is visible, featuring two vertical chrome handles. The background is a plain, light-colored wall.

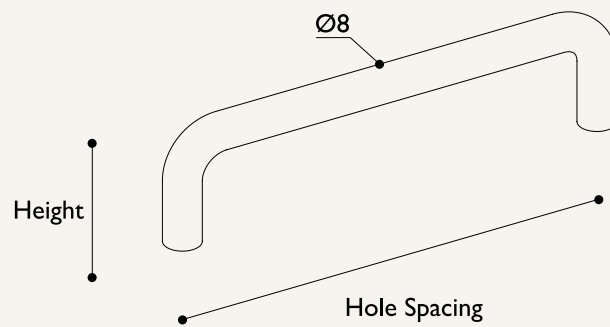
KULPLAR
HANDLES



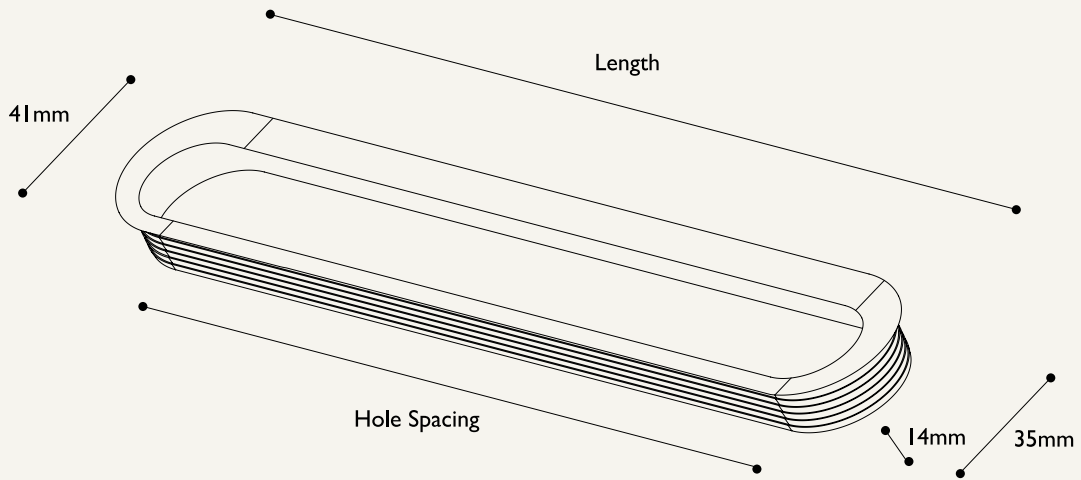
31.005



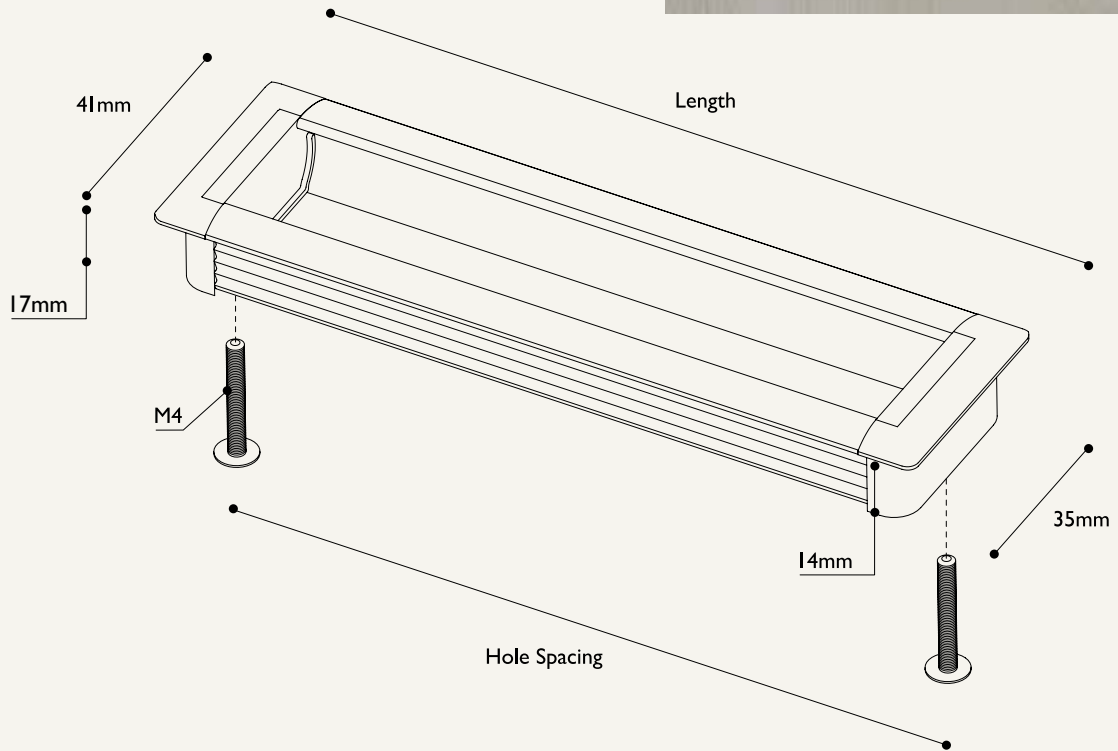
31.004




Code	H (mm)	Hole Spacing (mm)	Material	PCS	kg
31.004	32	64	Zamak	240	10.25
31.005	32	96	Zamak	240	13.58

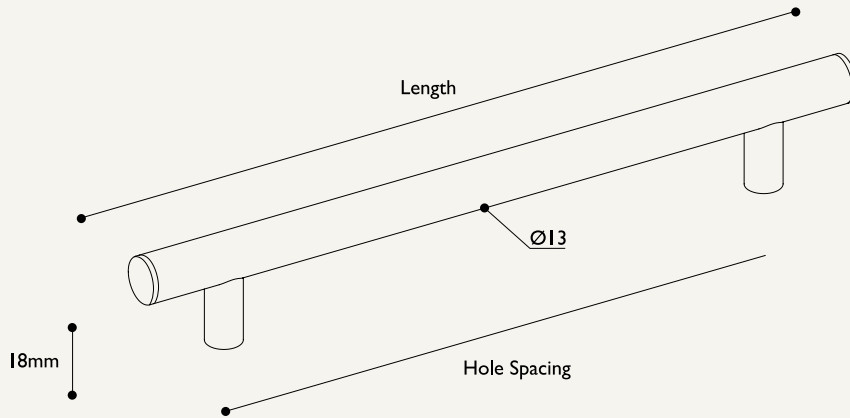


Code	Length(mm)	Hole Spacing (mm)	Material	pcs	kg
30.072	106	64	Aluminium + Plastic End	20	0.67
30.073	138	96	Aluminium + Plastic End	20	0.88
30.074	170	128	Aluminium + Plastic End	20	1.08
30.075	202	160	Aluminium + Plastic End	20	1.33
30.076	234	192	Aluminium + Plastic End	20	1.54
30.077	266	224	Aluminium + Plastic End	20	1.74
30.078	298	256	Aluminium + Plastic End	20	1.97
30.079	330	288	Aluminium + Plastic End	20	2.18
30.080	362	320	Aluminium + Plastic End	20	2.38
30.081	394	352	Aluminium + Plastic End	20	2.66
30.082	426	384	Aluminium + Plastic End	20	2.87
30.083	458	416	Aluminium + Plastic End	20	3.08
30.084	490	448	Aluminium + Plastic End	20	3.35
30.085	522	480	Aluminium + Plastic End	20	3.55
30.086	554	512	Aluminium + Plastic End	20	3.76

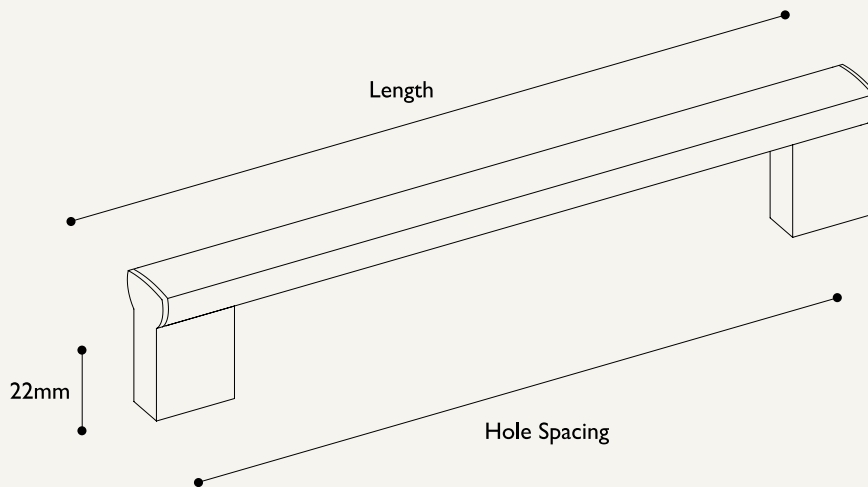


Code	Length(mm)	Hole Spacing (mm)	Material	 pcs	 kg
30.100	78	64	Aluminium + Zamak End	32	2.025
30.101	110	96	Aluminium + Zamak End	24	1.740
30.102	142	128	Aluminium + Zamak End	20	1.685
30.103	174	160	Aluminium + Zamak End	16	1.555
30.104	206	192	Aluminium + Zamak End	16	1.740
30.105	238	224	Aluminium + Zamak End	16	1.895
30.106	270	256	Aluminium + Zamak End	16	2.075
30.107	302	288	Aluminium + Zamak End	16	2.230
30.108	334	320	Aluminium + Zamak End	16	2.420
30.109	366	352	Aluminium + Zamak End	16	2.610
30.110	398	384	Aluminium + Zamak End	16	2.810
30.111	430	416	Aluminium + Zamak End	16	2.900
30.112	462	448	Aluminium + Zamak End	16	3.195
30.113	494	480	Aluminium + Zamak End	16	3.290
30.114	526	512	Aluminium + Zamak End	16	3.515

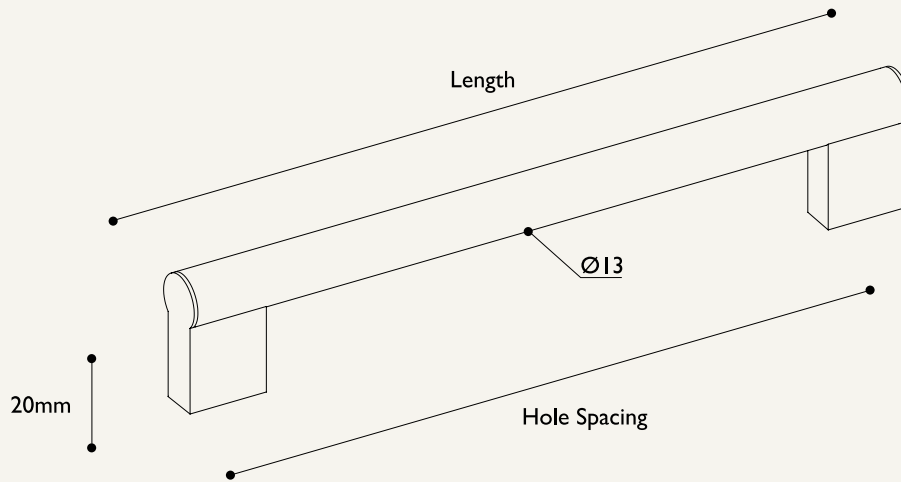
304
Stainless
Steel



Code	Length(mm)	Hole Spacing(mm)	Material	 pcs	 kg
31.800	114	64	Stainless Steel	40	2.35
31.801	146	96	Stainless Steel	40	2.75
31.802	178	128	Stainless Steel	40	3.23
31.803	210	160	Stainless Steel	40	3.43
31.804	242	192	Stainless Steel	40	3.91
31.805	274	224	Stainless Steel	40	4.39
31.806	306	256	Stainless Steel	40	4.74
31.807	338	288	Stainless Steel	40	5.14
31.808	370	320	Stainless Steel	40	5.54
31.809	402	352	Stainless Steel	40	5.78
31.810	434	384	Stainless Steel	40	6.25
31.811	466	416	Stainless Steel	40	6.65
31.812	498	448	Stainless Steel	40	7.10
31.813	530	480	Stainless Steel	40	7.50
31.814	562	512	Stainless Steel	40	7.90

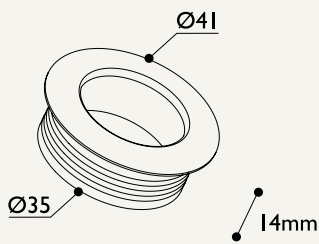


Code	Length(mm)	Hole Spacing (mm)	Material	 Pcs	 kg
31.880	87	64	Aluminium + Zamak End	20	1.35
31.881	119	96	Aluminium + Zamak End	20	1.45
31.882	151	128	Aluminium + Zamak End	20	1.65
31.883	183	160	Aluminium + Zamak End	20	1.80
31.884	215	192	Aluminium + Zamak End	20	1.90
31.885	247	224	Aluminium + Zamak End	20	2.10
31.886	279	256	Aluminium + Zamak End	20	2.25
31.887	311	288	Aluminium + Zamak End	20	2.35
31.888	343	320	Aluminium + Zamak End	20	2.50
31.889	375	352	Aluminium + Zamak End	20	2.75
31.890	407	384	Aluminium + Zamak End	20	2.85
31.891	439	416	Aluminium + Zamak End	20	3.00
31.892	471	448	Aluminium + Zamak End	20	3.20
31.893	503	480	Aluminium + Zamak End	20	3.35
31.894	535	512	Aluminium + Zamak End	20	3.55

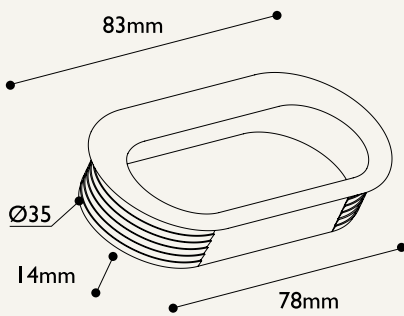




Code	Length(mm)	Hole Spacing(mm)	Material	 pcs	 kg
31.920	87	64	Aluminium + Plastic End	24	0.83
31.921	119	96	Aluminium + Plastic End	24	0.98
31.922	151	128	Aluminium + Plastic End	24	1.12
31.923	183	160	Aluminium + Plastic End	24	1.30
31.924	215	192	Aluminium + Plastic End	24	1.49
31.925	247	224	Aluminium + Plastic End	24	1.55
31.926	279	256	Aluminium + Plastic End	24	1.71
31.927	311	288	Aluminium + Plastic End	24	1.81
31.928	343	320	Aluminium + Plastic End	24	1.90
31.929	375	352	Aluminium + Plastic End	24	2.17
31.930	407	384	Aluminium + Plastic End	24	2.36
31.931	439	416	Aluminium + Plastic End	24	2.45
31.932	471	448	Aluminium + Plastic End	24	2.71
31.933	503	480	Aluminium + Plastic End	24	2.81
31.934	535	512	Aluminium + Plastic End	24	3.00

Code. 30.070

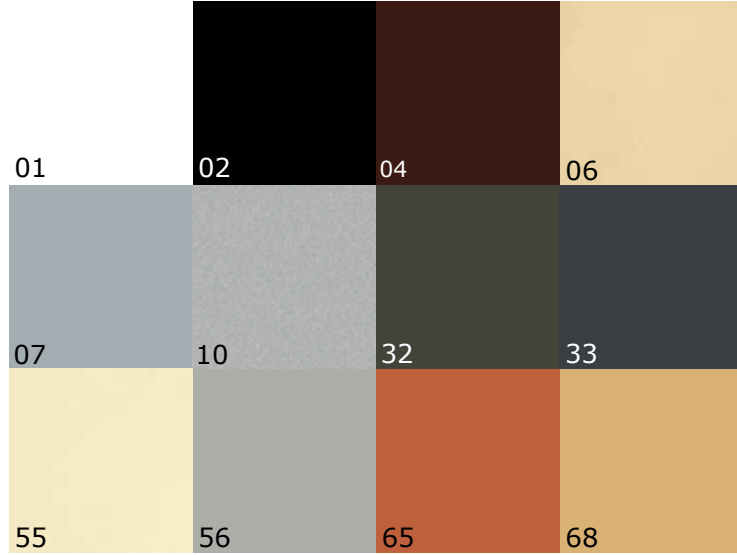


Code. 30.071



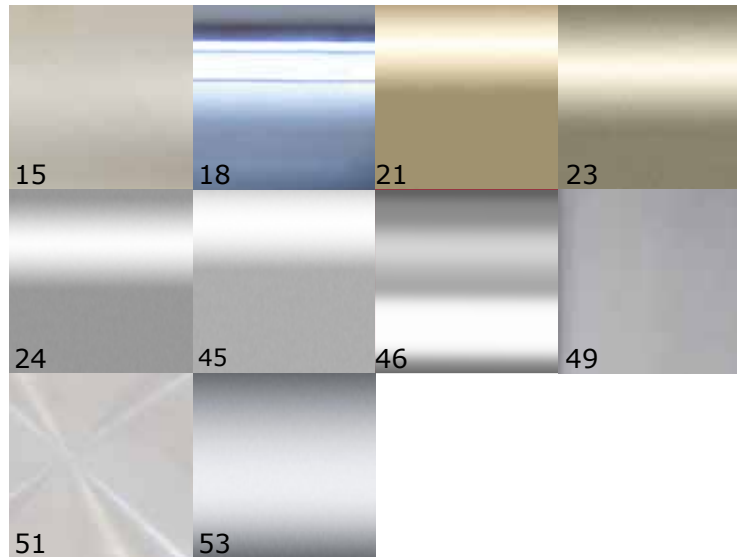
Code	Length(mm)	Hole(mm)	Material	 PCS	 kg
30.070	41	35	Plastic	480	5.30
30.071	-	Ø35x78	Plastic	240	4.90

Colors / Renkler



- 01 - White / *Beyaz*
- 02 - Black / *Siyah*
- 04 - Brown / *Kahverengi*
- 06 - Beige / *Bej*
- 07 - Grey / *Gri*
- 10 - Metallic Grey / *Metalik Gri*
- 32 - RAL 7022 / *RAL 7022*
- 33 - RAL 7016 / *RAL 7016*
- 55 - Cream / *Krem*
- 56 - Bright Grey / *Açık Gri*
- 65 - Cherry / *Kiraz*
- 68 - Pear / *Armut*

Surface Plates / Yüzey Kaplamaları



- 15 - Nickel / *Nikel*
- 18 - Chrome / *Krom*
- 21 - Matte Nickel / *Mat Nikel*
- 23 - Satin / *Saten*
- 24 - Matte Chrome / *Mat Krom*
- 45 - Matte Anodized / *Mat Eloksal*
- 46 - Glossy Anodized / *Krom Eloksal*
- 49 - Inox Anodized / *Inox Eloksal*
- 51 - Satin Inox / *Saten Inox*
- 53 - Glossy Inox / *Parlak Inox*