

2018
PRODUCT
CATALOG

© 2018 TEMPO AKSESUAR
ALL RIGHTS RESERVED.



2018 PRODUCT CATALOG



www.tempotr.com

Page 3 - 18



Page 19 - 37



Page 38 - 56



Page 57 - 67



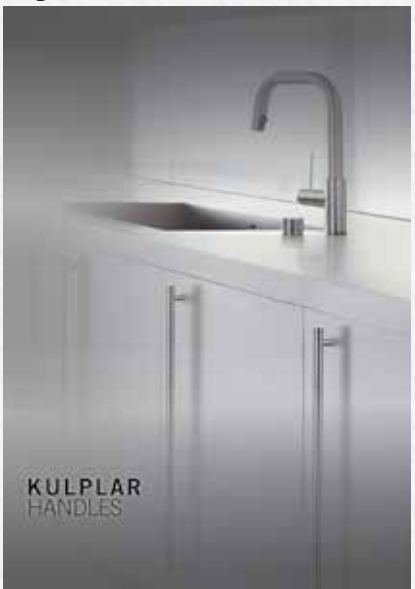
Page 68 - 76



Page 77 - 90



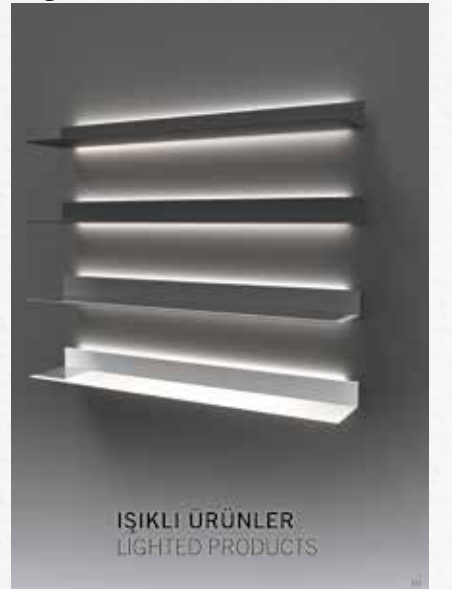
Page 91 - 98



Page 99 - 109

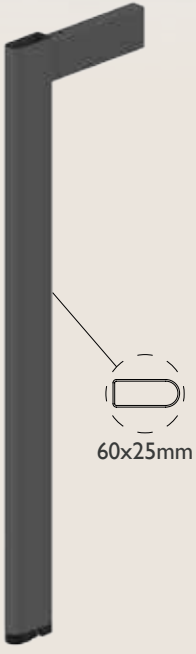
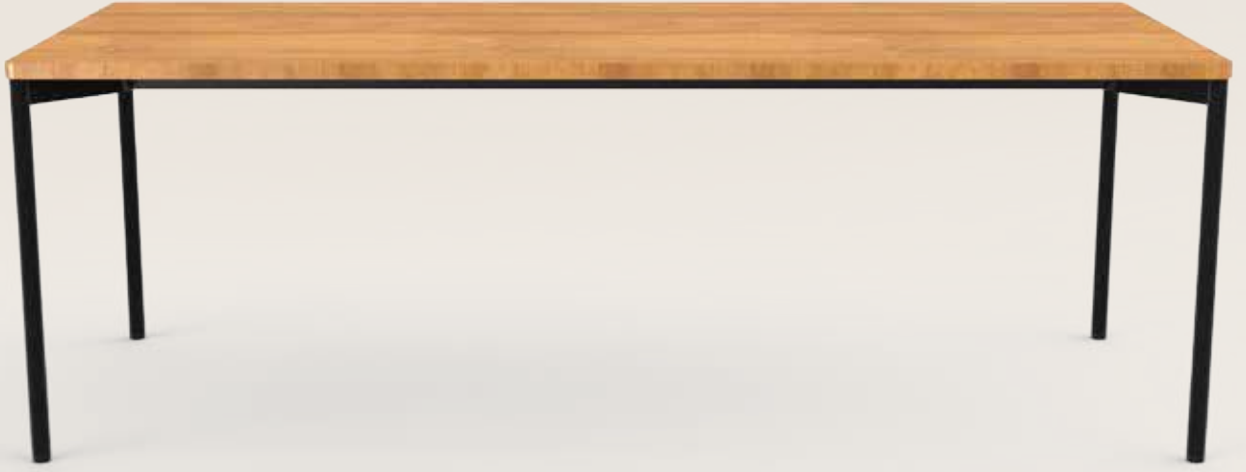


Page 110 - 124



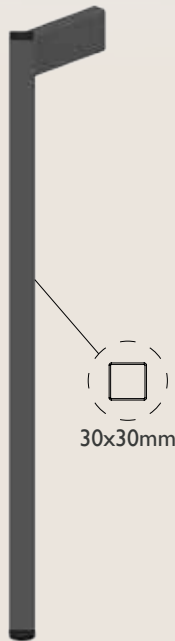


MODÜLER MASA SİSTEMLERİ MODULAR TABLE SYSTEMS



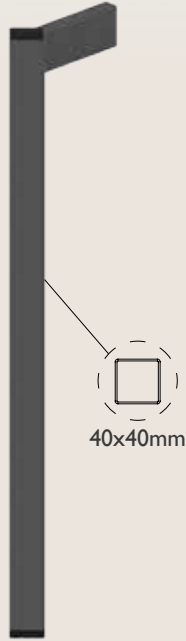
60x25mm

Code : 11.302



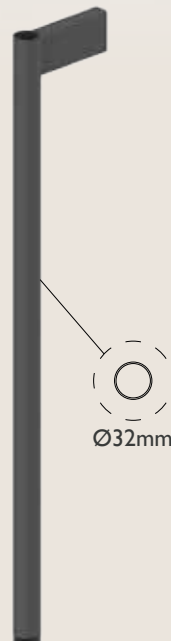
30x30mm

Code : 11.582



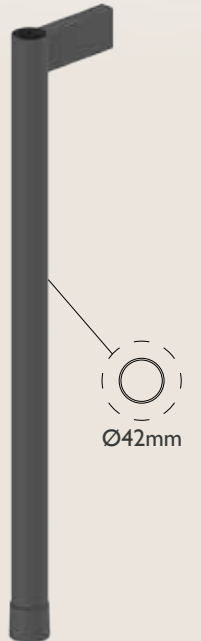
40x40mm

Code : 11.592



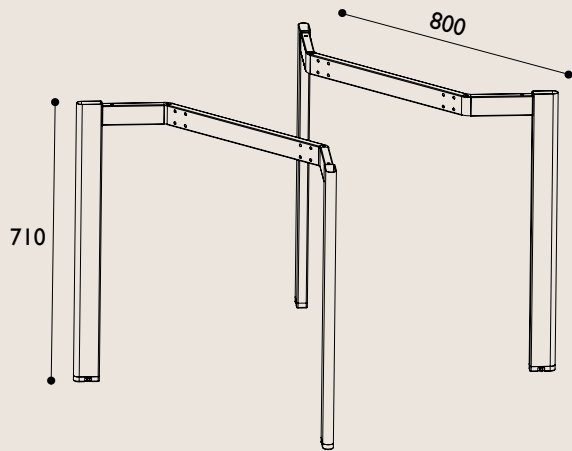
Ø32mm

Code : 11.432

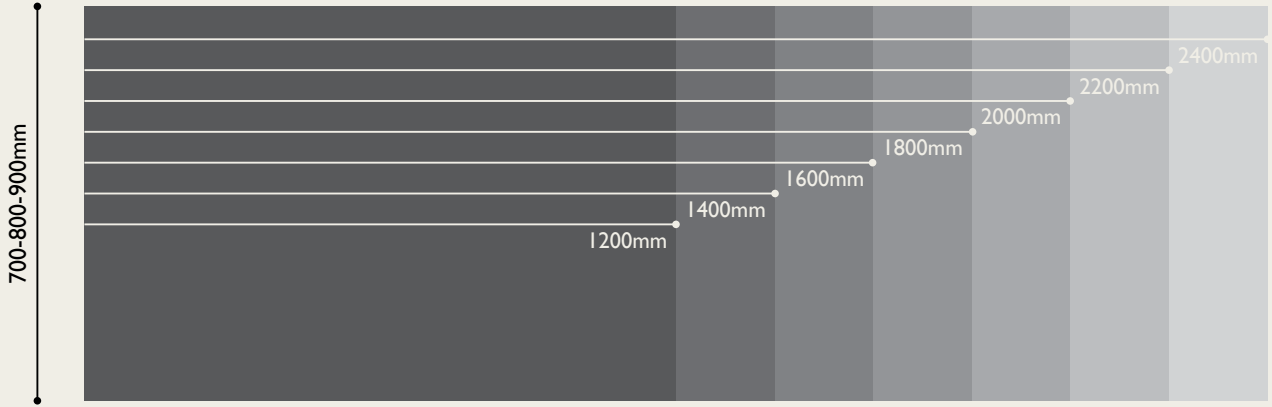


Ø42mm

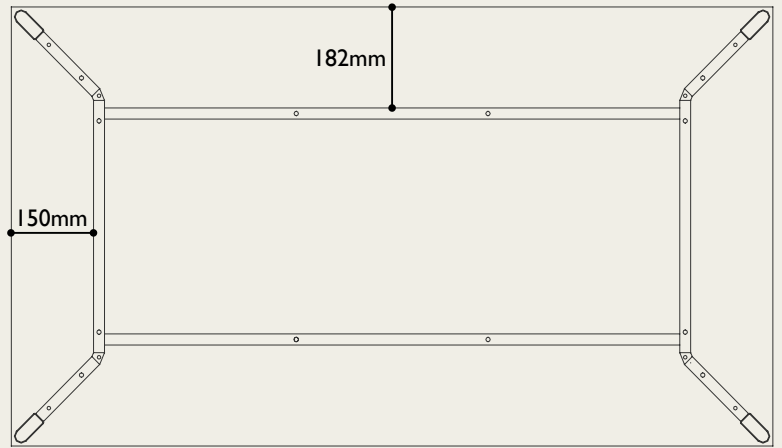
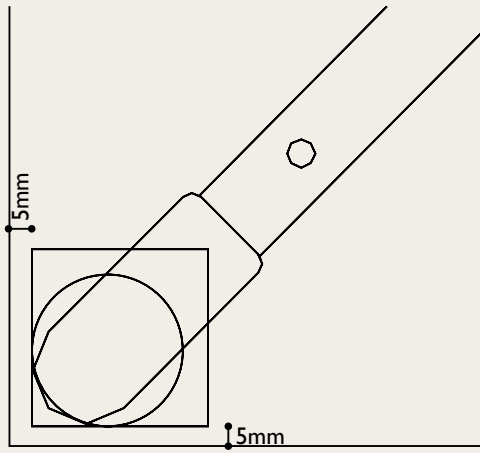
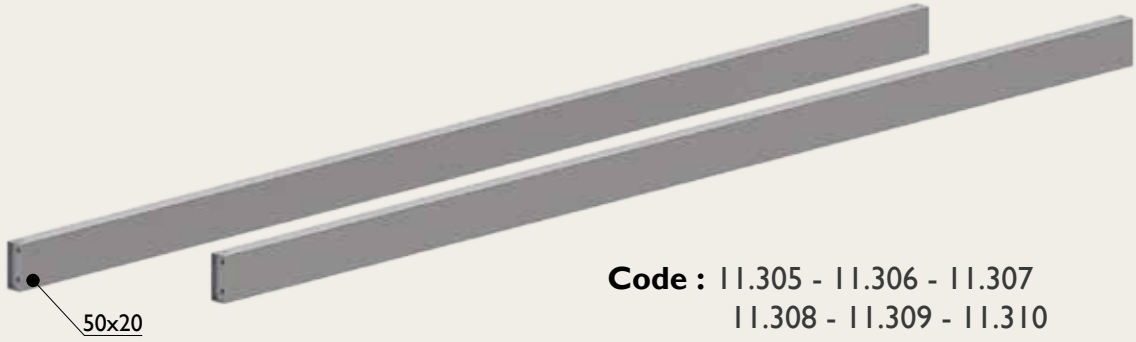
Code : 11.442



Code	Height(mm)	Width	Material	Set	kg
11.302	710-725	800	Steel	1 Set	8,68
11.582	710-725	800	Steel	1 Set	8,55
11.592	710-725	800	Steel	1 Set	8,85
11.432	710-725	800	Steel	1 Set	7,90
11.442	710-725	800	Steel	1 Set	7,90

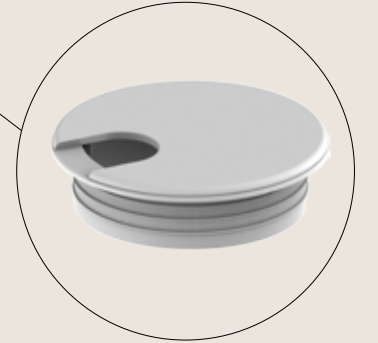
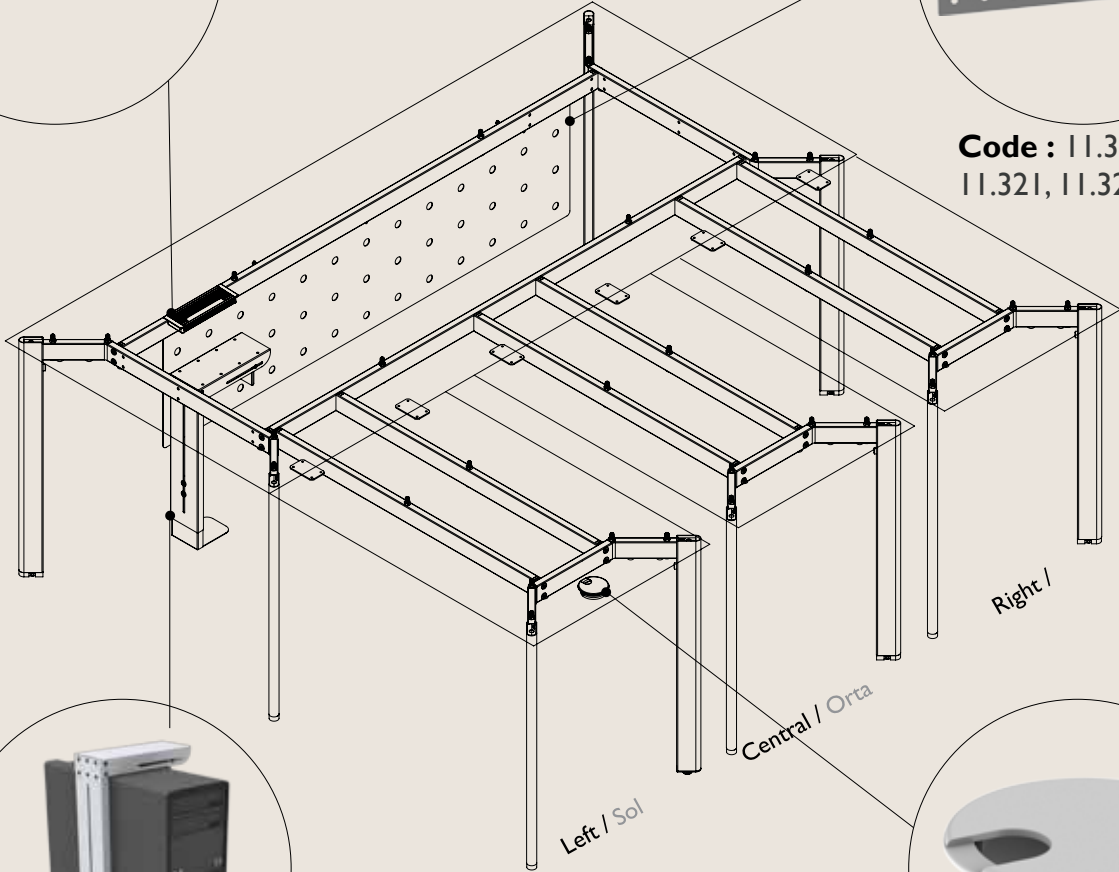
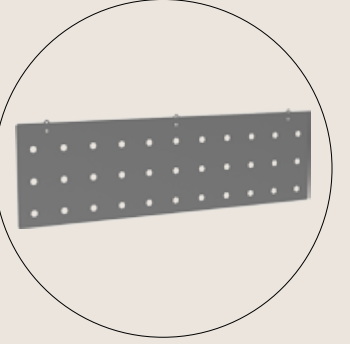
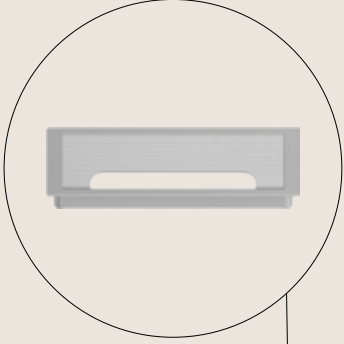
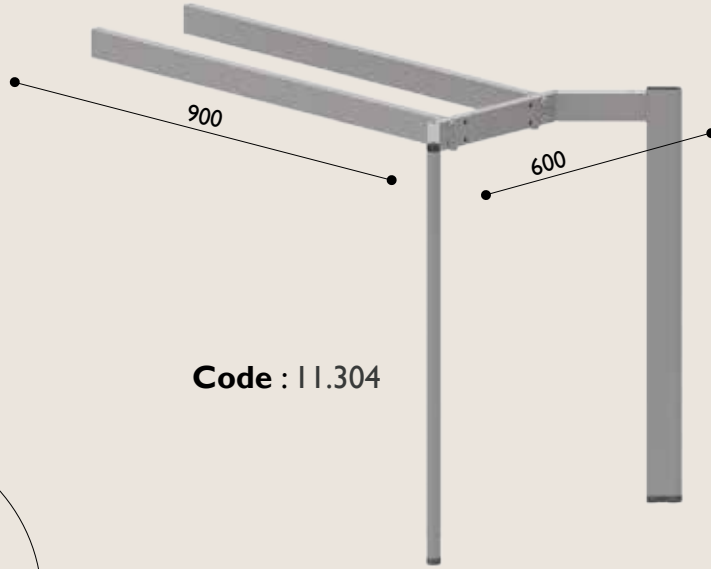


Standard Table Sizes
Standart Masa Ölçüleri



All Frames Are 10mm Smaller Than Table Size
Bütün Masa Iskeletleri Tabla Ebatından 10mm Küçük Üretilir

Code	Length	Material	Set	kg
11.305	1400	Steel	2 pcs	3.60
11.306	1600	Steel	2 pcs	3.95
11.307	1800	Steel	2 pcs	4.25
11.308	2000	Steel	2 pcs	4.65
11.309	2200	Steel	2 pcs	5.00
11.310	2400	Steel	2 pcs	5.35



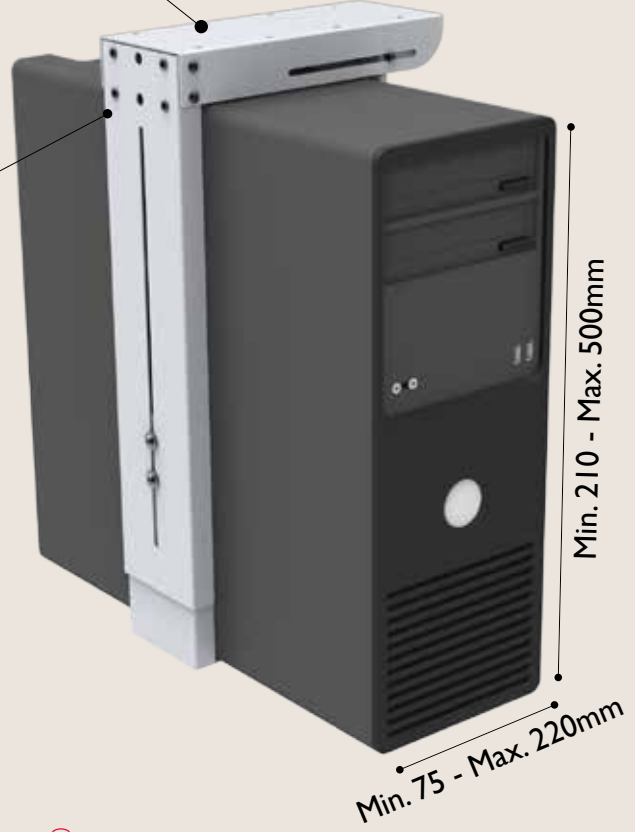
Code	Height(mm)	Suitable Plate Sizes (mm)		Material	Set	kg
		Width	Length			
11.304	710-725	600	900	Steel	1	7,50
11.319	-	-	820	Steel	1	4,50
11.320	-	-	1020	Steel	1	5,70
11.321	-	-	1220	Steel	1	6,85
11.322	-	-	1420	Steel	1	8,05
11.323	-	-	1620	Steel	1	9,30

35.291



Table Frame Attachment
Masa Iskelet Bağlantısı

Table Top Attachment
Masa Tabla Bağlantısı



Colors 01,02,10

Material

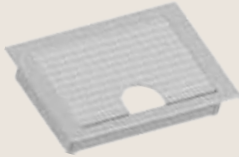


Steel

1

2.40

Code .
35.270



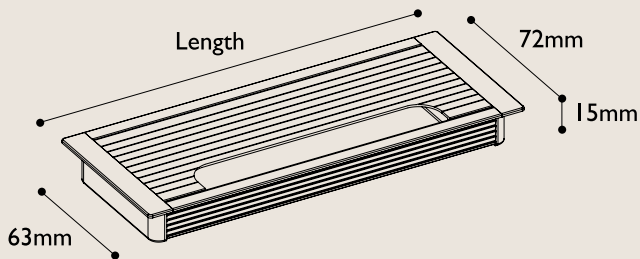
Code .
35.271



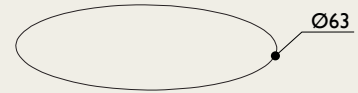
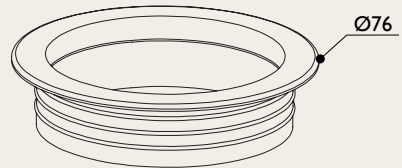
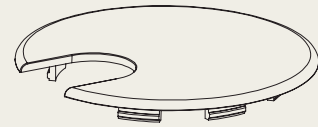
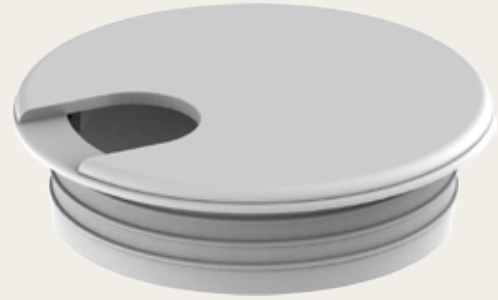
Code .
35.272



Colors 45

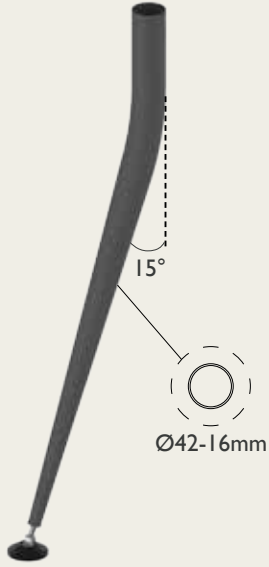
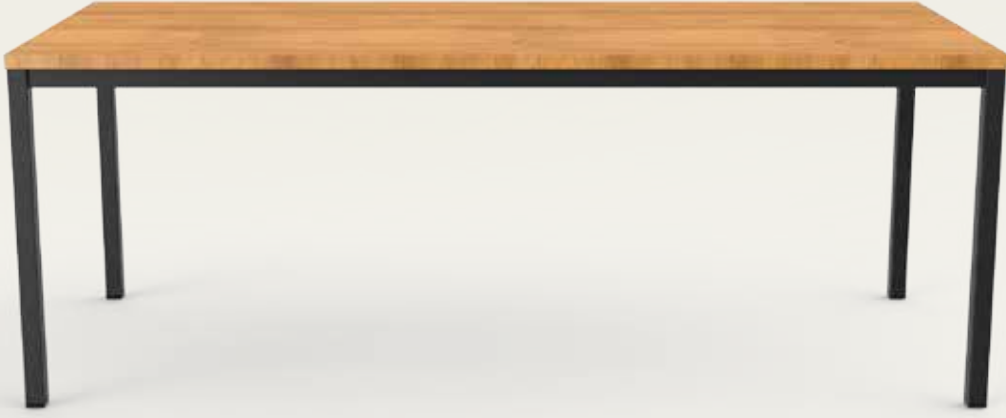


Code	Length(mm)	Material	set	kg
35.270	95	Aluminium	150	6.74
35.271	168	Aluminium	80	6.36
35.272	240	Aluminium	60	6.68

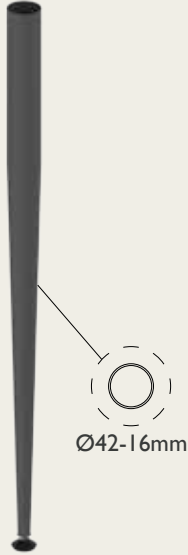


Colors 01,02,04,06,07,55,56,65,68

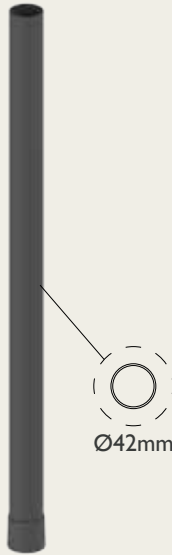
Code	Ø(mm)	Material	set	kg
35.280	76	Plastic	160	3.86



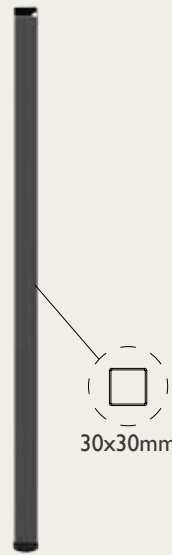
Code: 11.372



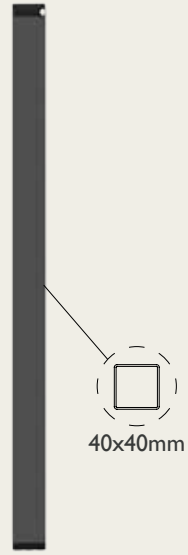
Code: 11.632



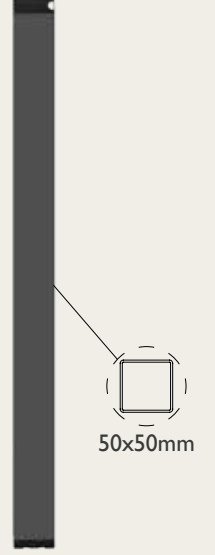
Code: 11.642



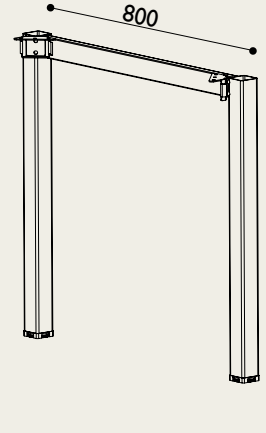
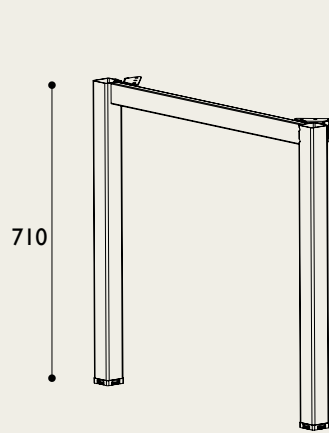
Code: 11.602



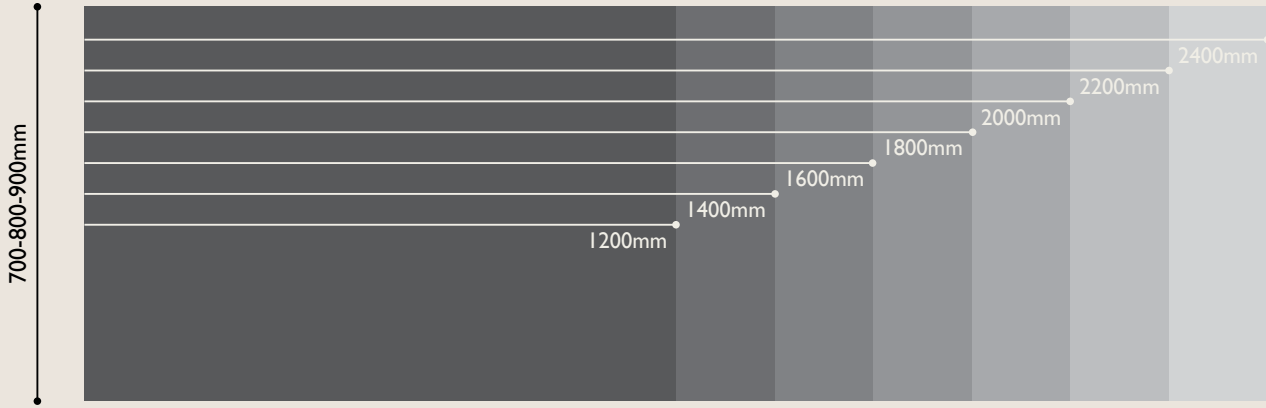
Code: 11.622



Code: 11.392

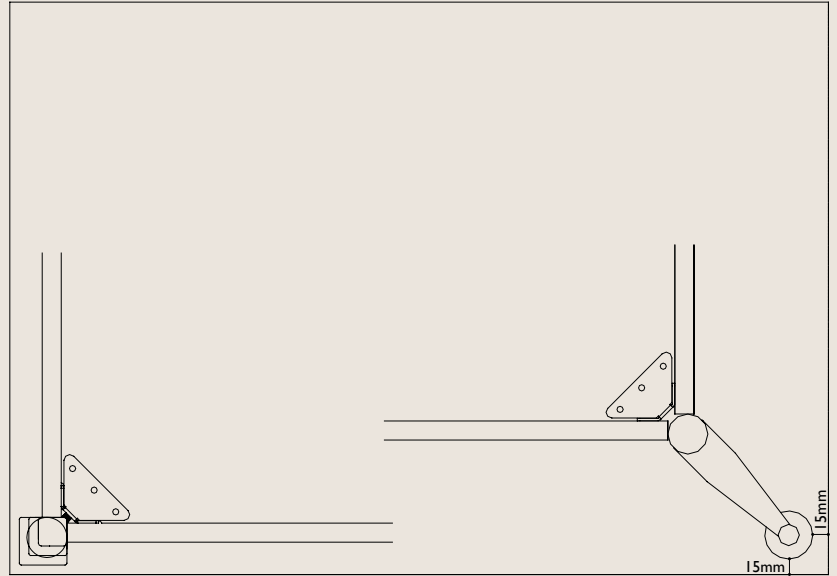
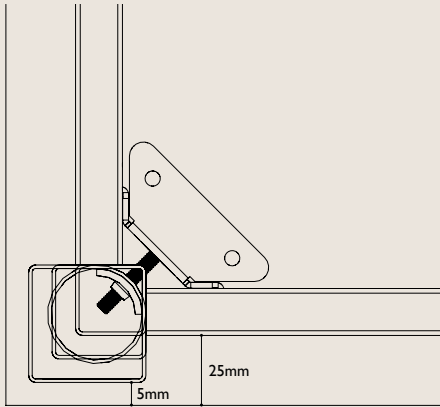


Code	Height(mm)	Width	Material	Set	kg
11.372	710-725	800	Steel	1 Set	6.45
11.632	710-725	800	Steel	1 Set	6.40
11.642	710-725	800	Steel	1 Set	5.95
11.602	710-725	800	Steel	1 Set	7.55
11.622	710-725	800	Steel	1 Set	8.60
11.392	710-725	800	Steel	1 Set	9.50



Standard Table Sizes
Standart Masa Ölçüleri

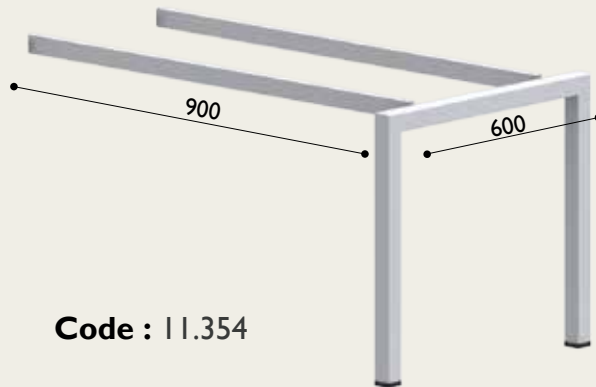
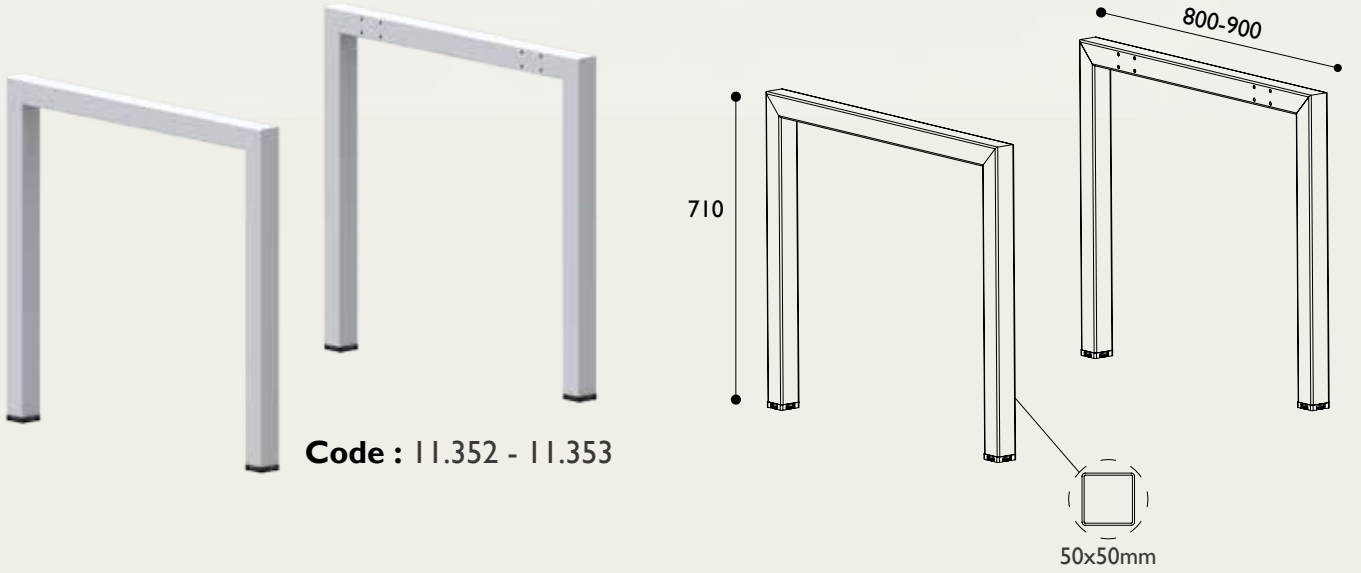
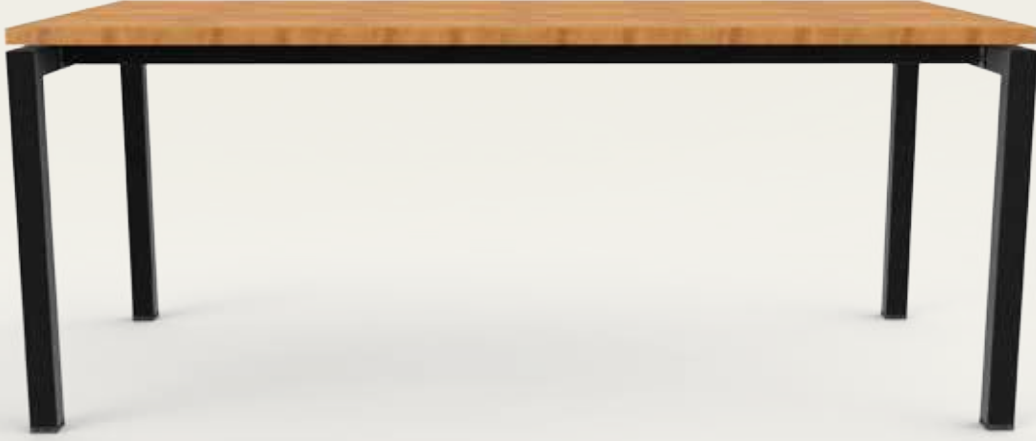
Code : 11.605 - 11.606 - 11.607 - 11.608 - 11.609 - 11.610



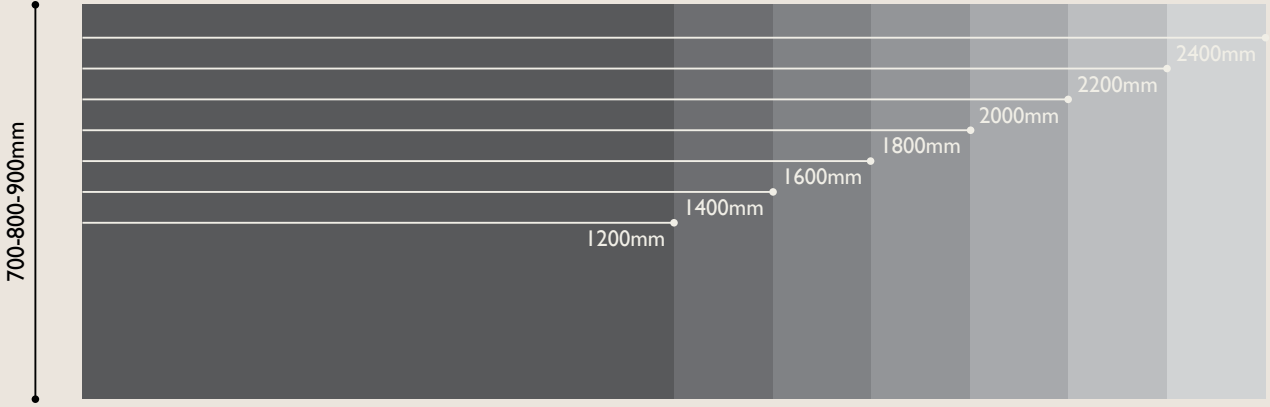
Frames Sizes Are Arranged For 50x50 Leg
Custom Sizing For Different Legs Is Possible
Iskelet Ölçüleri 50x50 Ayak İçin Ayarlanmıştır,
Farklı Ayaklar İçin Özel Üretim Mümkündür.

Angled Table Leg Uses One Smaller Frame Size
Açılı Ayak Bir Küçük Iskelet Ebatını Kullanır

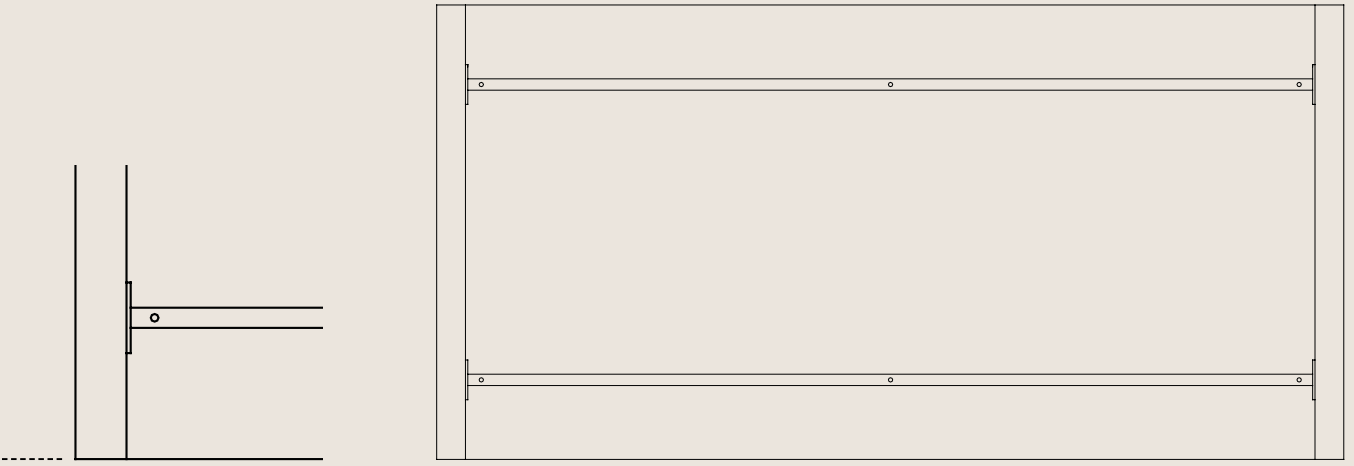
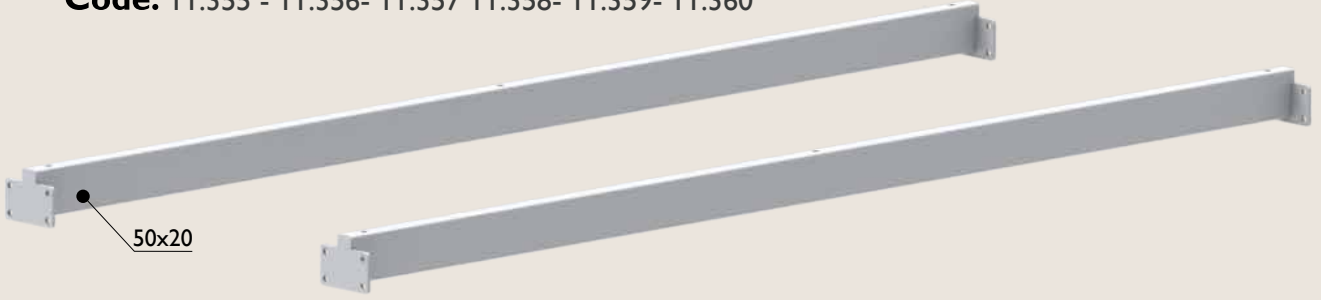
Code	Length	Material	Set	kg
11.605	1400	Steel	2 Pcs	3.50
11.606	1600	Steel	2 Pcs	4.00
11.607	1800	Steel	2 Pcs	4.50
11.608	2000	Steel	2 Pcs	5.00
11.609	2200	Steel	2 Pcs	5.50
11.610	2400	Steel	2 Pcs	6.00



Code	Height(mm)	Width	Length	Material	Set	kg
11.352	710-725	800	-	Steel	1	10.60
11.353	710-725	900	-	Steel	1	12.60
11.354	710-725	600	900	Steel	1	6.00



Code. 11.355 - 11.356- 11.357 11.358- 11.359- 11.360

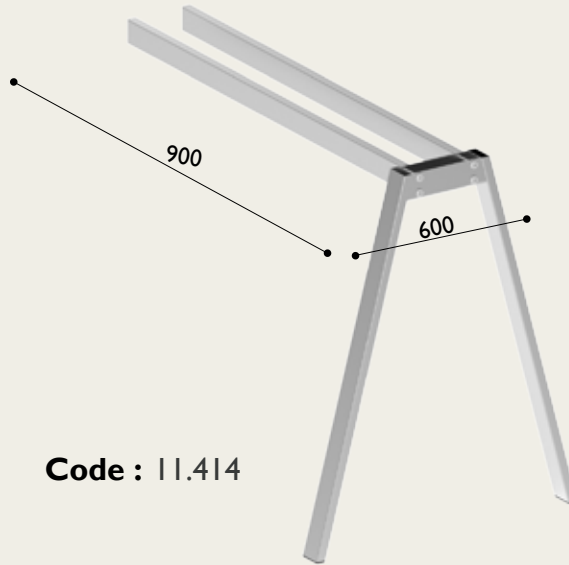
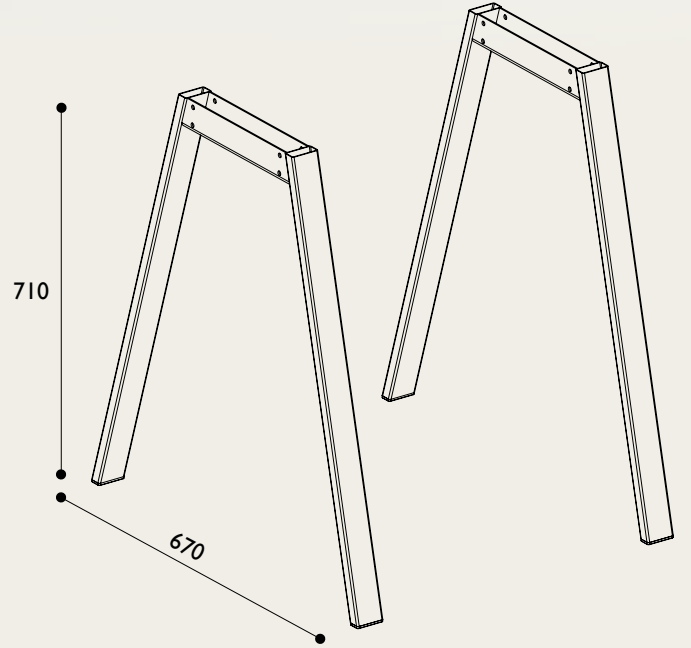


All Frames Are Made To Table Sizes
Bütün Masa Iskeletleri Tabla ile Aynı Ebatta Üretilir

Code	Length	Material	Set	kg
11.355	1400	Steel	2 Pcs	4.60
11.356	1600	Steel	2 Pcs	5.20
11.357	1800	Steel	2 Pcs	5.80
11.358	2000	Steel	2 Pcs	6.40
11.359	2200	Steel	2 Pcs	7.20
11.360	2400	Steel	2 Pcs	7.80

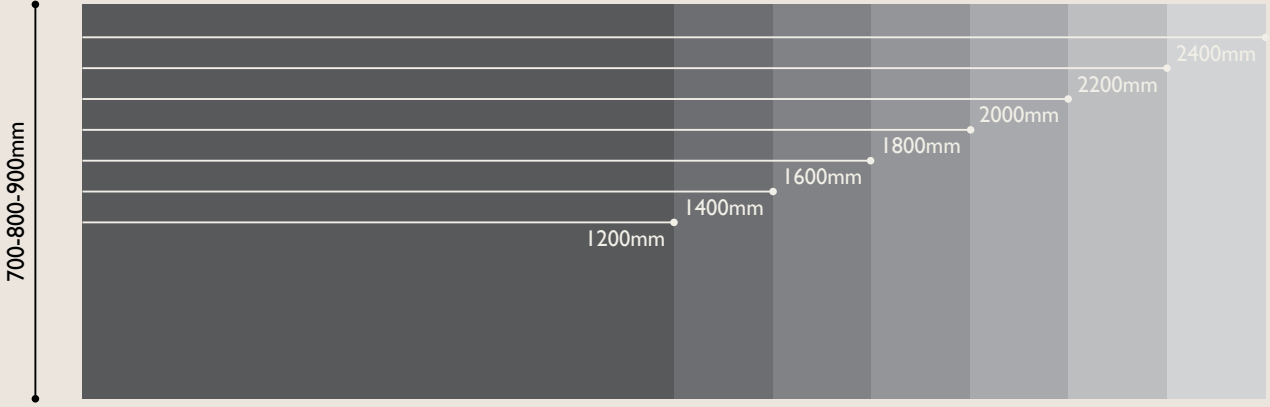


Code : 11.412

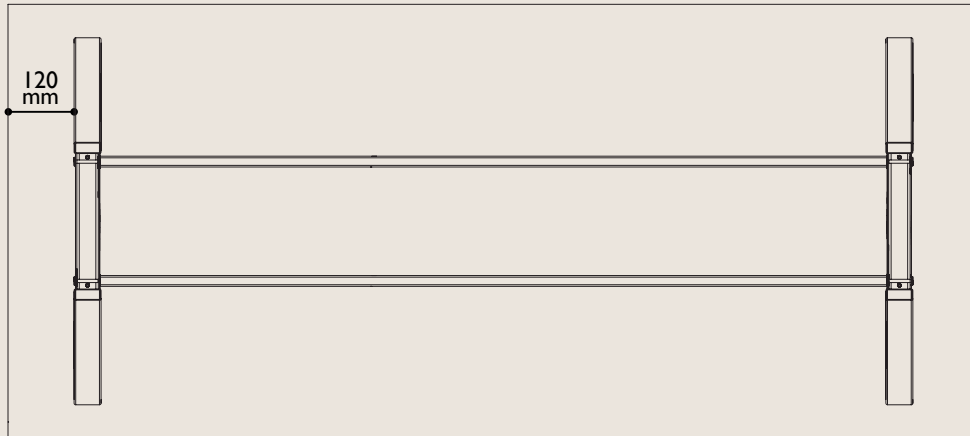
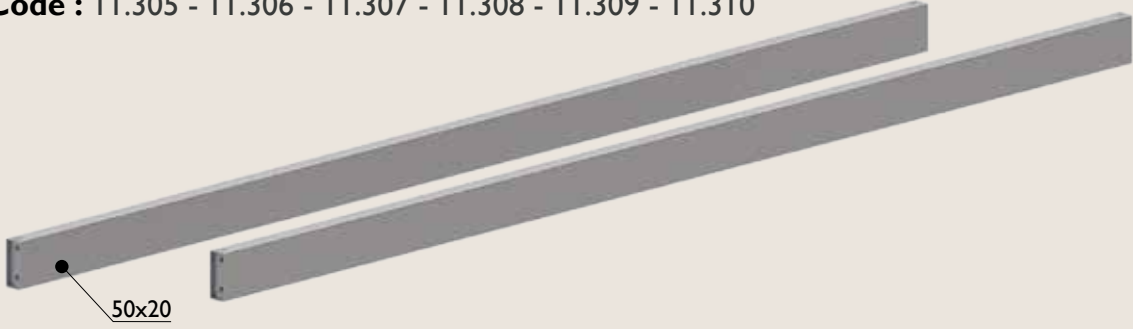


Code : 11.414

Code	Height(mm)	Width	Length	Material	Set	kg
11.412	710	700-800	-	Steel	1	7.05
11.414	710	600	900	Steel	1	6.50



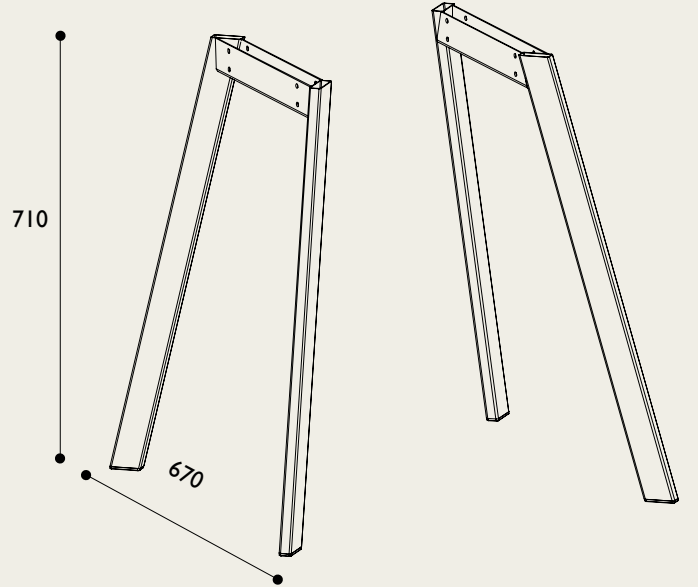
Code : 11.305 - 11.306 - 11.307 - 11.308 - 11.309 - 11.310



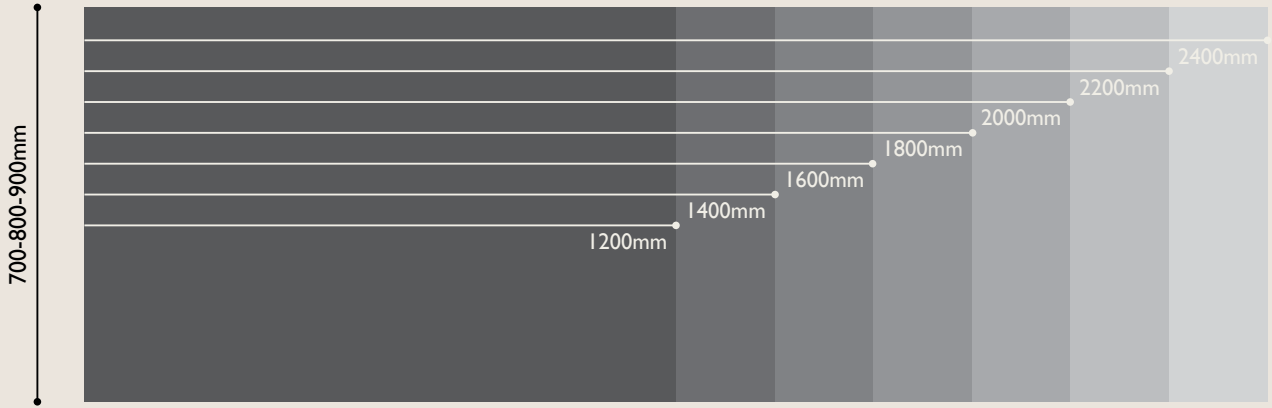
Code	Length	Material	Set	kg
11.305	1400	Steel	2 pcs	3.60
11.306	1600	Steel	2 pcs	3.95
11.307	1800	Steel	2 pcs	4.25
11.308	2000	Steel	2 pcs	4.65
11.309	2200	Steel	2 pcs	5.00
11.310	2400	Steel	2 pcs	5.35



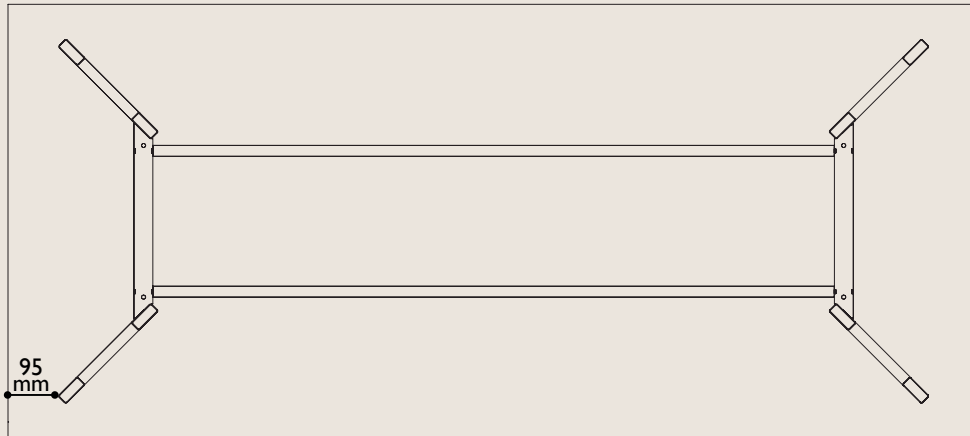
Code : 11.422



Code	Height(mm)	Width	Length	Material	Set	kg
11.422	710	700-800	-	Steel	1	6.50

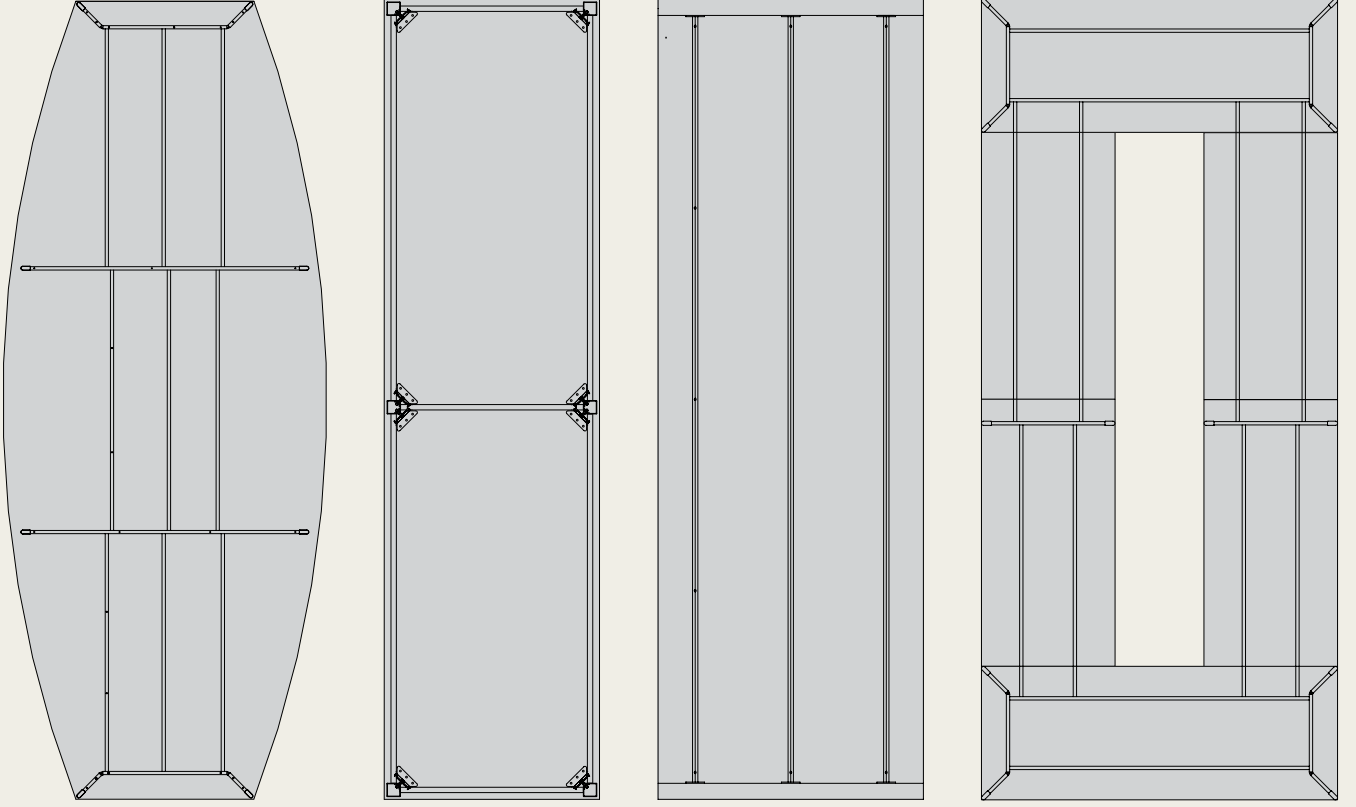


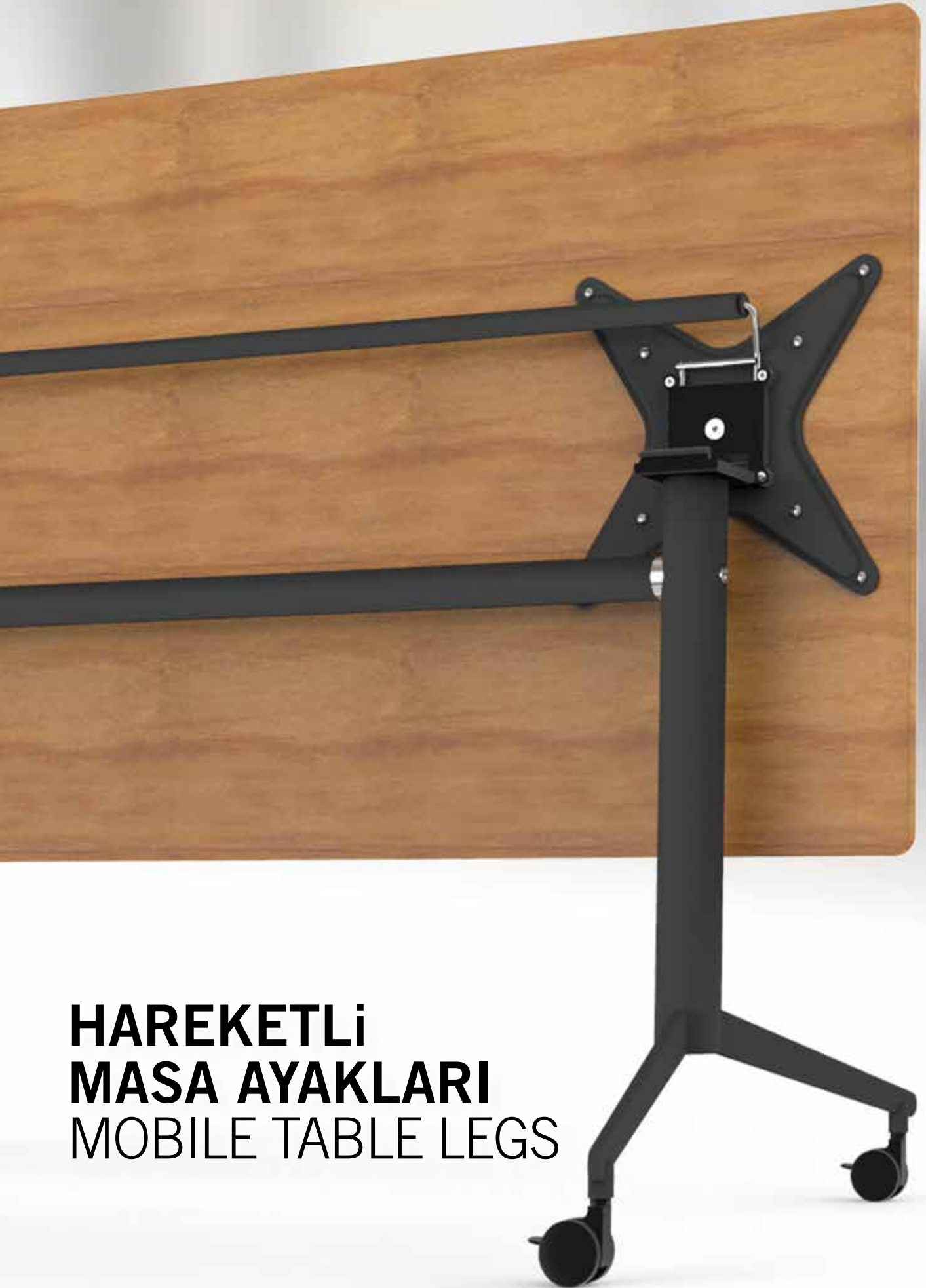
Code : 11.305 - 11.306 - 11.307 - 11.308 - 11.309 - 11.310



Code	Length	Material	Set	kg
11.305	1400	Steel	2 pcs	3.60
11.306	1600	Steel	2 pcs	3.95
11.307	1800	Steel	2 pcs	4.25
11.308	2000	Steel	2 pcs	4.65
11.309	2200	Steel	2 pcs	5.00
11.310	2400	Steel	2 pcs	5.35

Modüler Masa Alternatif Uygulamalar
Modular Table System Alternative Applications

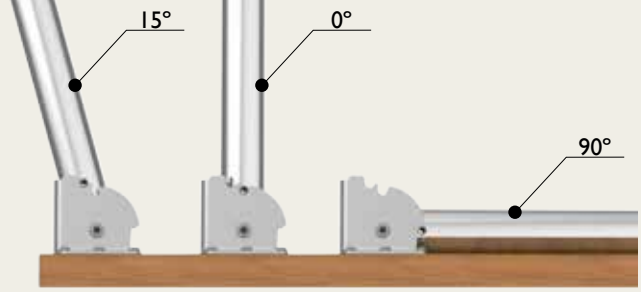




HAREKETLİ
MASA AYAKLARI
MOBILE TABLE LEGS

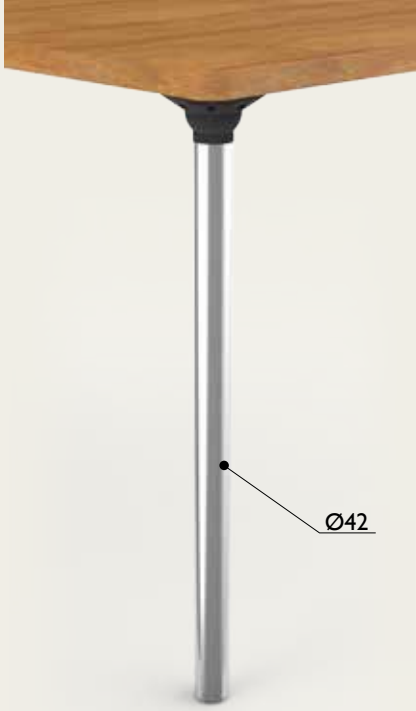
Code : 11.503

Colors 18,21,24

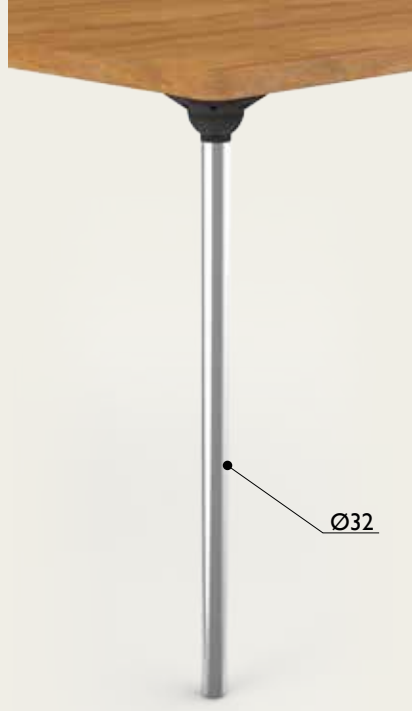


Code	Ø(mm)	H(mm)	Material	pcs	kg
11.503	42	710	Steel	4	5.70

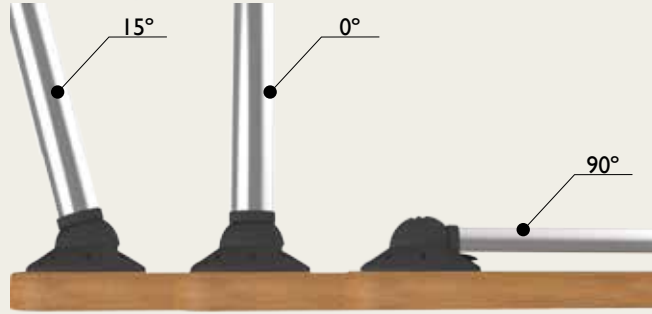
Code : 11.500





Code : 11.501



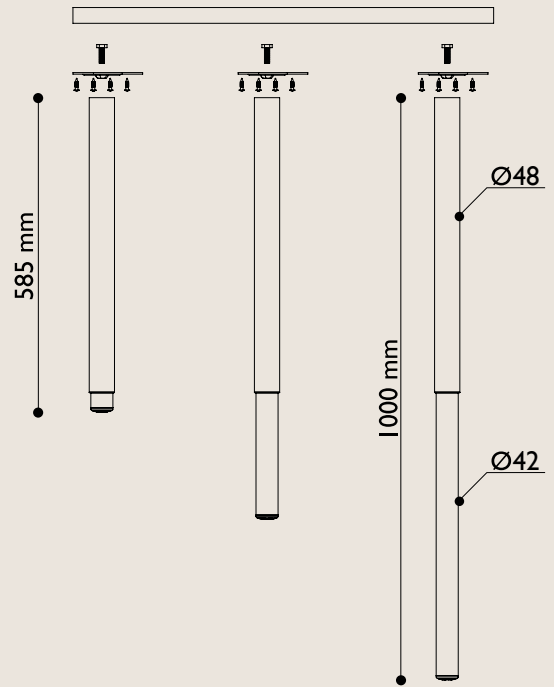
Code : 11.502



Code	Ø(mm)	H(mm)	Material	 PCS	 kg
11.500	42	710	Steel	4	3.80
11.501	32	710	Steel	4	3.80
11.502	42-16	710-725	Steel	4	4.00

11.540

Colors 10,18



Ø(mm)

48-42

H(mm)

585-1000

Material

Steel



4

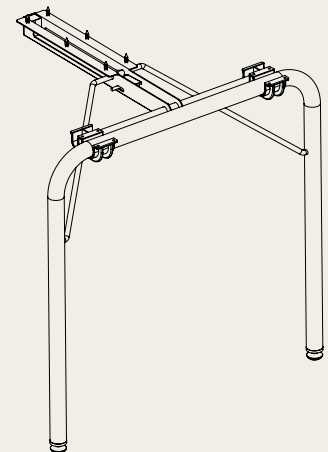
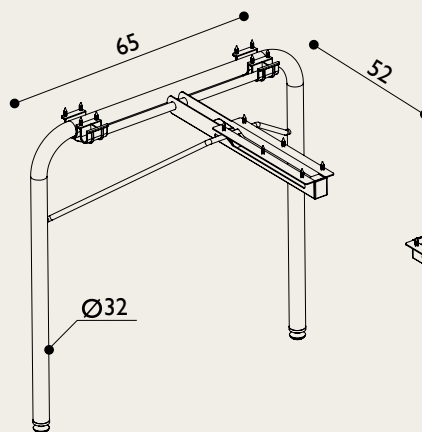
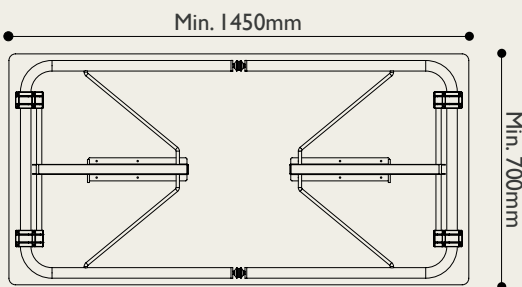
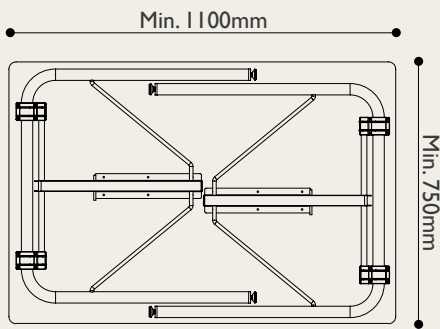
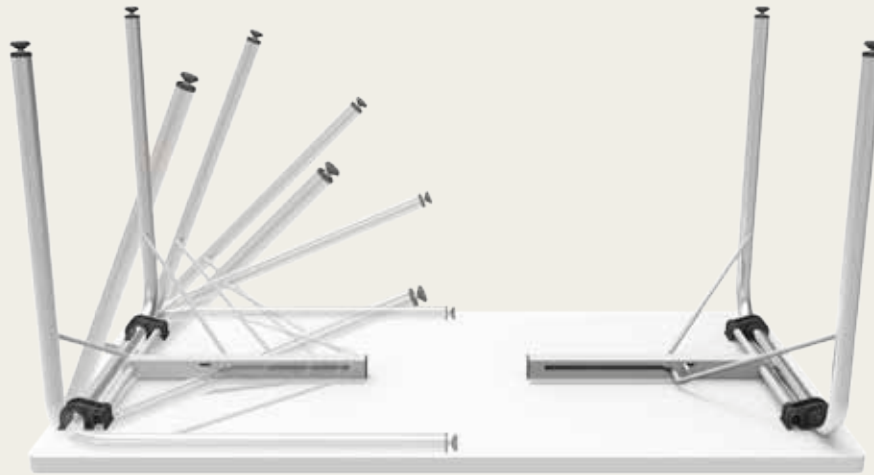


6.80

Katlanır Masa Ayakları / Folding Table Leg

11.511

Colors 02,10,18



Ø(mm)

32

H(mm)

710-725

Material

Steel + Plastic



1

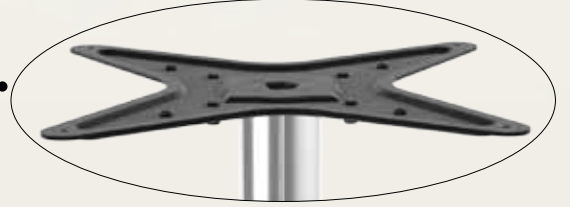


10.37



For Glass
Cam tabla için

For Wood
Ahşap tabla için

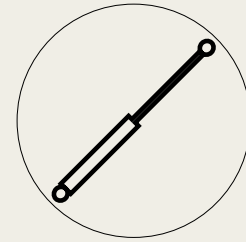


- 11.520.XX
- C: Glass Attachment
Cam Tabla Bağlantısı
 - T: Wood Attachment
Ahşap Tabla Bağlantısı
 - Y: Circular Base
Yuvarlak Taban
 - K: Square Base
Kare taban

710-1070mm

Ø60

Ø70



Gas-Spring Operated
Pistonlu



Ø400



400

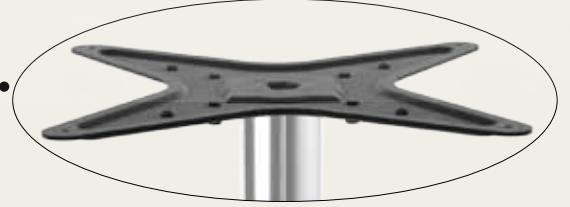
Code	Height(mm)	Material	pcs	kg
11.520.YT	710-1070	Steel+Aluminum	1	14.20
11.520.KT	710-1070	Steel+Aluminum	1	16.25
11.520.YC	710-1070	Steel+Aluminum	1	13.60
11.520.KC	710-1070	Steel+Aluminum	1	15.65



For Glass
Cam tabla için



For Wood
Ahşap tabla için



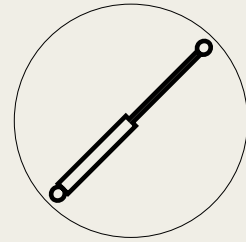
- C: Glass Attachment
Cam Tabla Bağlantısı
- T: Wood Attachment
Ahşap Tabla Bağlantısı
- Y: Circular Base
Yuvarlak Taban
- K: Square Base
Kare taban

13.520.XX

500-710mm

Ø60

Ø70



Gas-Spring Operated
Pistonlu



Ø400



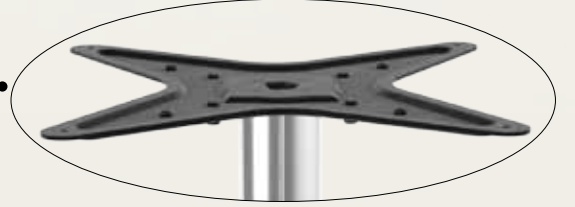
400

Code	Height(mm)	Material	pcs	kg
13.520.YT	500-710	Steel+Aluminum	1	12.85
13.520.KT	500-710	Steel+Aluminum	1	14.90
13.520.YC	500-710	Steel+Aluminum	1	12.25
13.520.KC	500-710	Steel+Aluminum	1	14.30



For Glass
Cam Tabla için

For Wood
Ahşap tabla için



- 11.520.XX
- C: Glass Attachment
Cam Tabla Bağlantısı
 - T: Wood Attachment
Ahşap Tabla Bağlantısı
 - Y: Circular Base
Yuvarlak Taban
 - K: Square Base
Kare taban

710-1070mm

Ø60

Ø70



Manual Operated
Manuel



Ø400



400

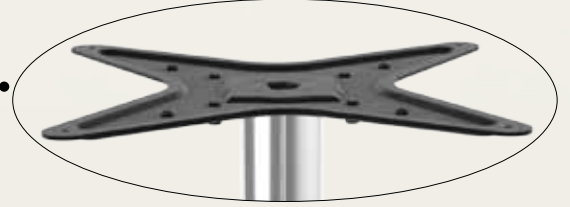
Code	Height(mm)	Material	pcs	kg
11.520.EYT	710-1070	Steel+Aluminum	1	13.00
11.520.EKT	710-1070	Steel+Aluminum	1	15.10
11.520.EYC	710-1070	Steel+Aluminum	1	12.40
11.520.EKC	710-1070	Steel+Aluminum	1	14.50



For Glass
Cam tabla için



For Wood
Ahşap tabla için



- 13.520.XX
- C: Glass Attachment
Cam Tabla Bağlantısı
 - T: Wood Attachment
Ahşap Tabla Bağlantısı
 - Y: Circular Base
Yuvarlak Taban
 - K: Square Base
Kare taban

500-710mm

Ø60

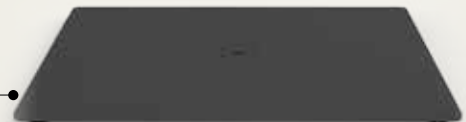
Ø70



Manual Operated
Manuel



Ø400



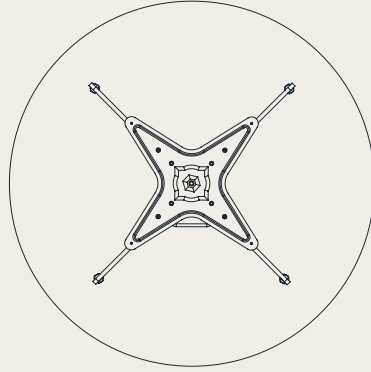
Ø400

Code	Height(mm)	Material	pcs	kg
13.520.EYT	500-710	Steel+Aluminum	1	12.10
13.520.EKT	500-710	Steel+Aluminum	1	14.15
13.520.EYC	500-710	Steel+Aluminum	1	11.50
13.520.EKC	500-710	Steel+Aluminum	1	13.55

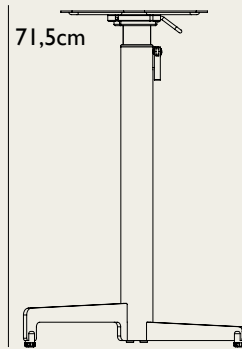
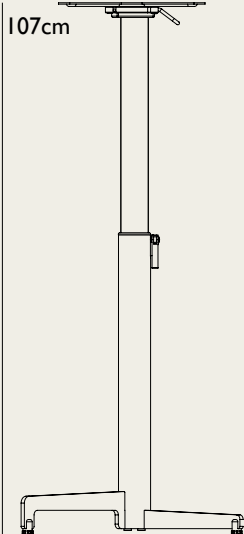
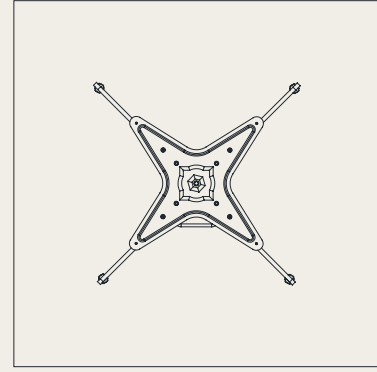


Colors 01,02,18

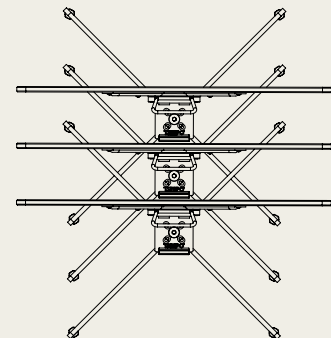
80cm
max



80cm
max



47cm



Code
11.522

Height(mm)
710-1070

Material
Steel+Aluminum



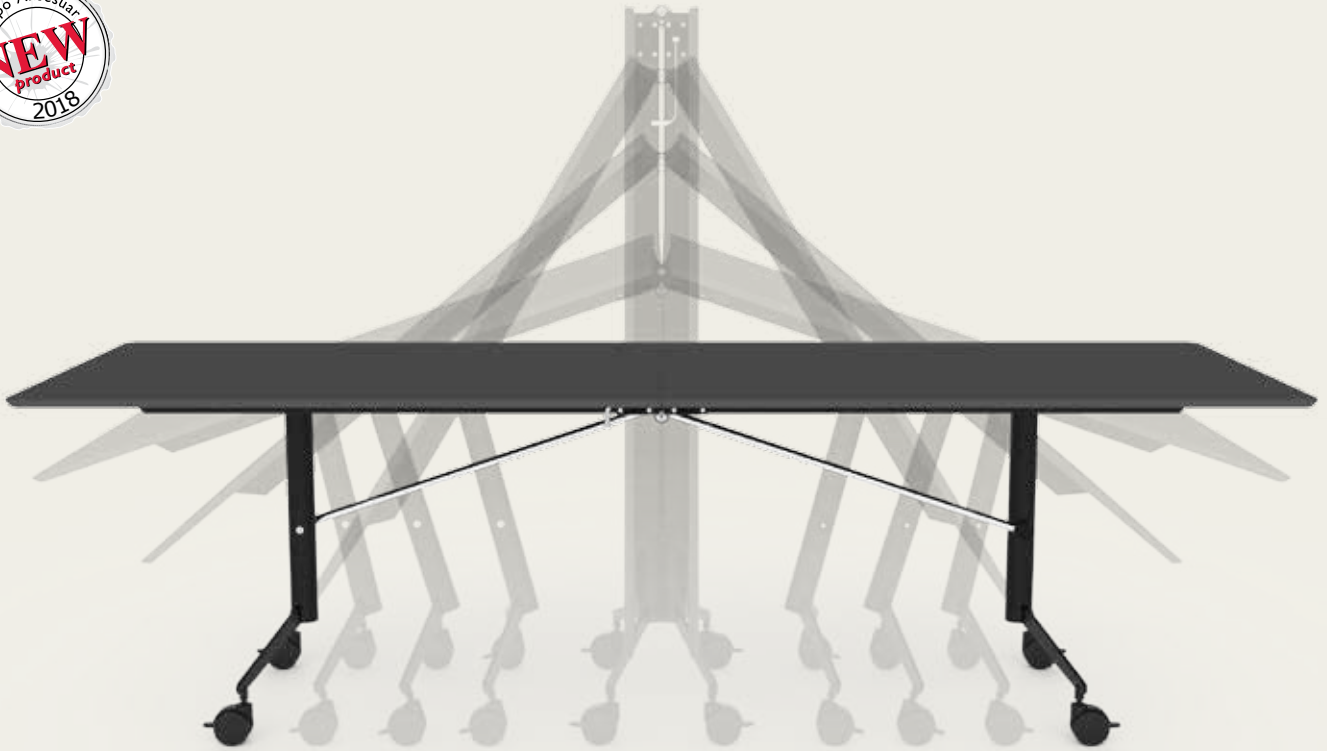
1

13.00

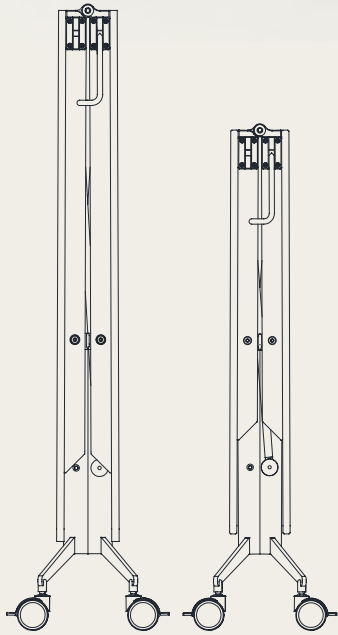
Ortadan Katlanır Masa / Center Fold Table



Colors 02



155cm

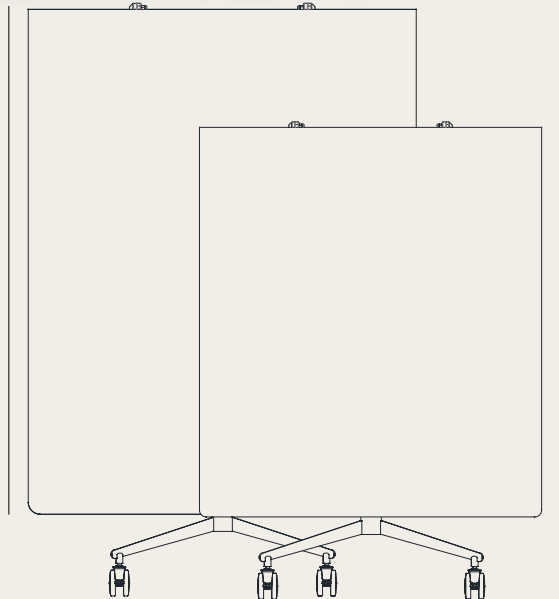


30cm

70-100cm

110-130cm
x2

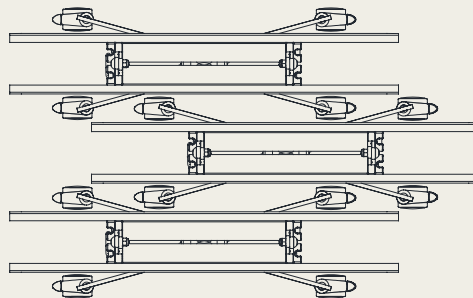
125cm



68cm

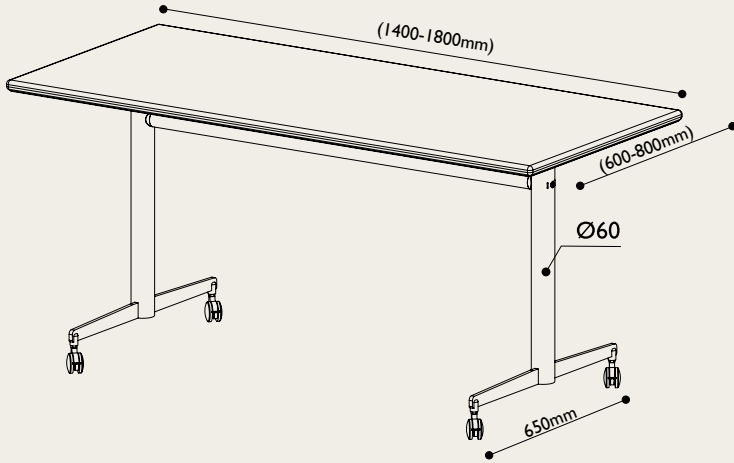
80-100cm
x2

80cm



30cm

Code	Height(mm)	Suitable Plate Sizes (mm)		Material	Set	kg
		Width	Length			
11.515	710-1250	700-1000	1600-2000	Steel	1	22.50
11.516	710-1550	700-1000	2200-2600	Steel	1	25.50

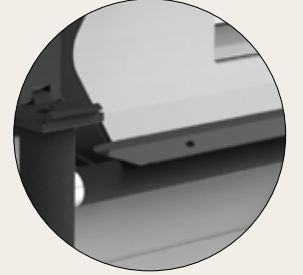


Code : 11.509



Code : 11.509.0214
11.509.0216 - 11.509.0218

Optional Items
Opsiyonel Ürünler

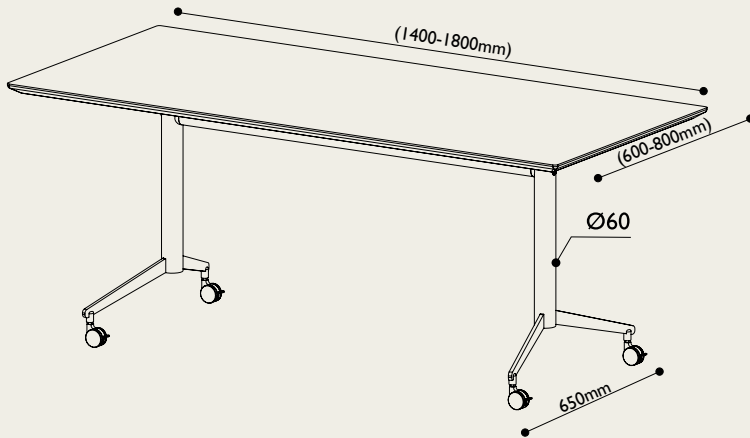


11.509.S
Power Outlet Tray
Priz - Kablo Kanalı

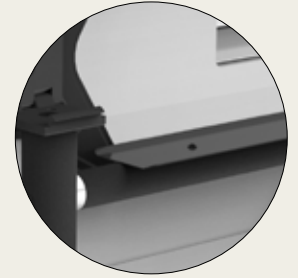


Code : 11.509.M
Ön Panel
Front Panel

Code	Height(mm)	Suitable Plate Sizes (mm)		Material	Set	kg
		Width	Length			
11.509	715	600-800	-	Steel	1	13.00
11.509.0214	-	-	1400	Steel	4	9.95
11.509.0216	-	-	1600	Steel	4	11.34
11.509.0218	-	-	1800	Steel	4	13.37
11.509.M1	-	-	1020	Steel	1	5.85
11.509.M2	-	-	1220	Steel	1	7.00
11.509.M3	-	-	1420	Steel	1	8.20



Optional Items
Opsiyonel Ürünler



11.509.S
Power Outlet Tray
Priz - Kablo Kanalı



Code : 11.509.M
Ön Panel
Front Panel



Code : 11.512

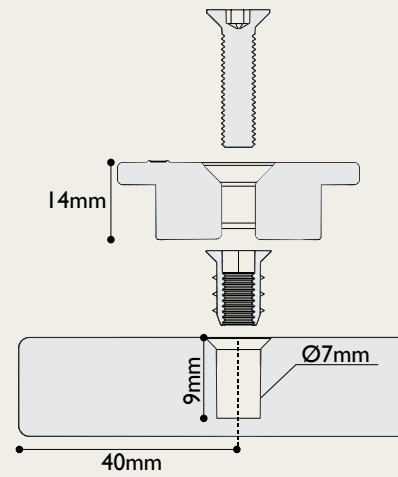
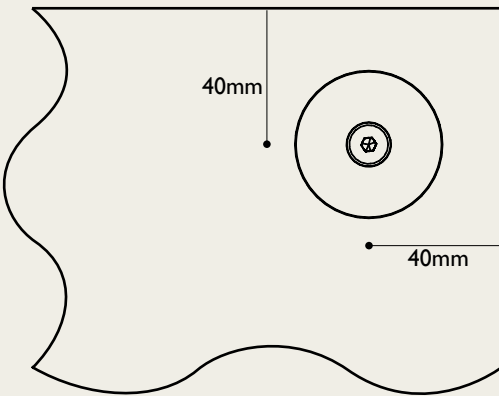
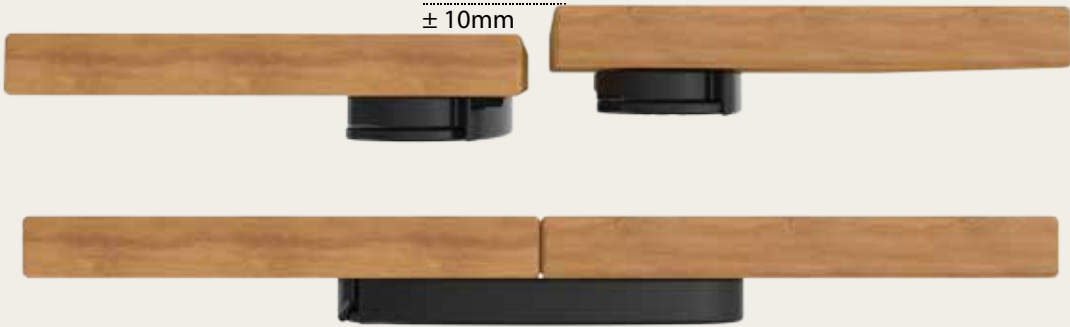





Code : 11.509.0214
11.509.0216 - 11.509.0218

Code	Height(mm)	Suitable Plate Sizes (mm)		Material	Set	kg
		Width	Length			
11.512	715	600-800	-	Steel	1	12.00
11.509.0214	-	-	1400	Steel	4	9.95
11.509.0216	-	-	1600	Steel	4	11.34
11.509.0218	-	-	1800	Steel	4	13.37
11.509.M1	-	-	1020	Steel	1	5.85
11.509.M2	-	-	1220	Steel	1	7.00
11.509.M3	-	-	1420	Steel	1	8.20

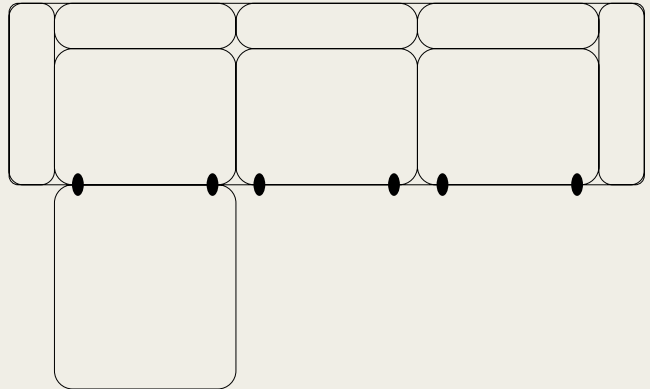
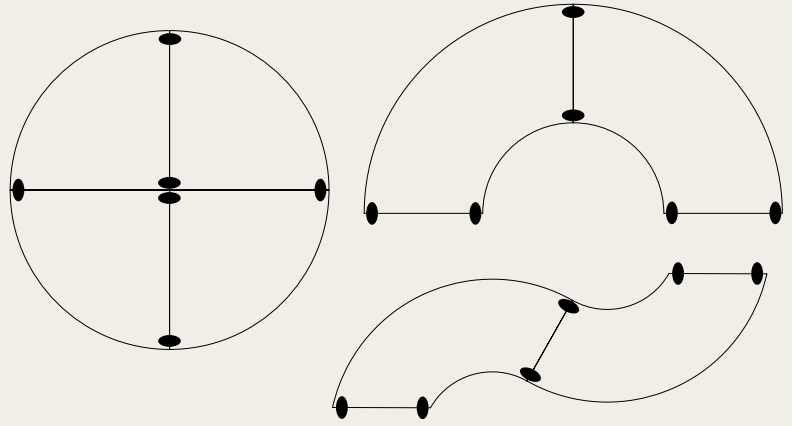
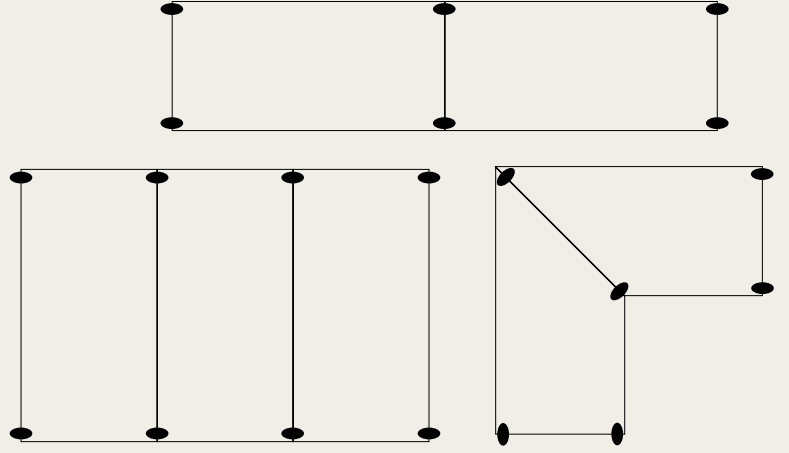
Code : 11.509.B

Colors: 02

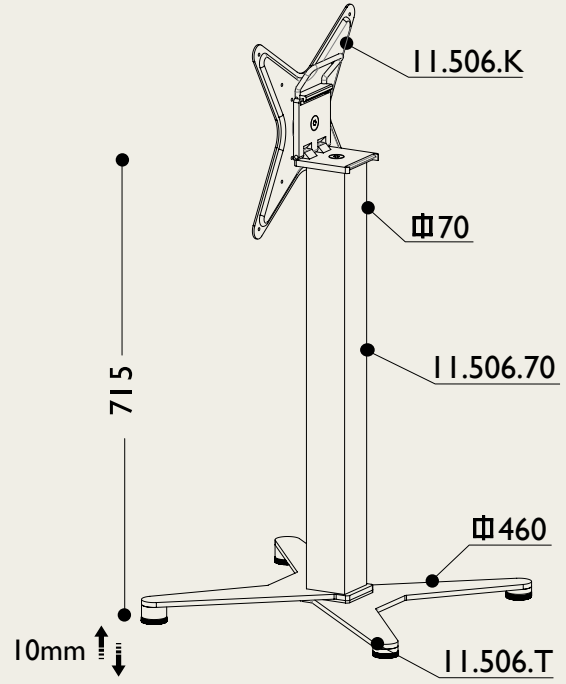


Code	Dimensions (mm)	Material	 Set	 Pcs	 kg
11.509.B	130x64	Plastic	2	50	11.12

Uygulama Örnekleri / Application Alternatives



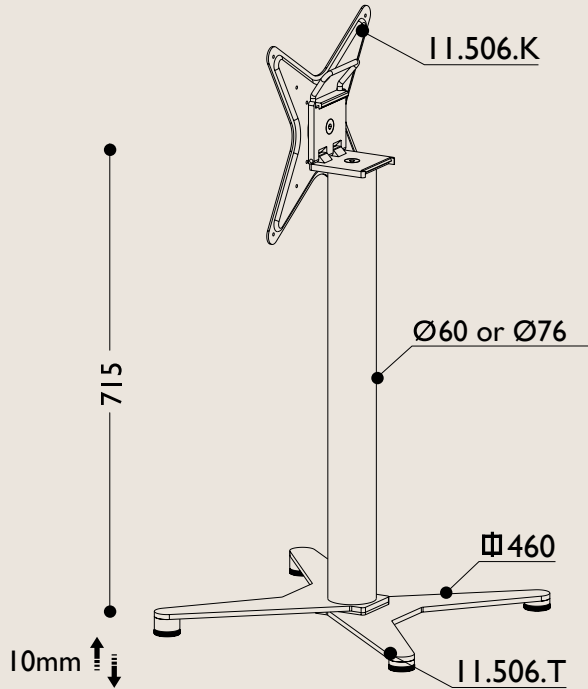
11.506.70



Colors 02

	Code	Ø (mm)	Base (mm)	H (mm)	Material	pcs	kg
Tube :	11.506.70	70	460	715	Steel	4	10.00
Base :	11.506.T				Steel	1	6.57
Mounting Plate :	11.506.K				Steel	1	2.25

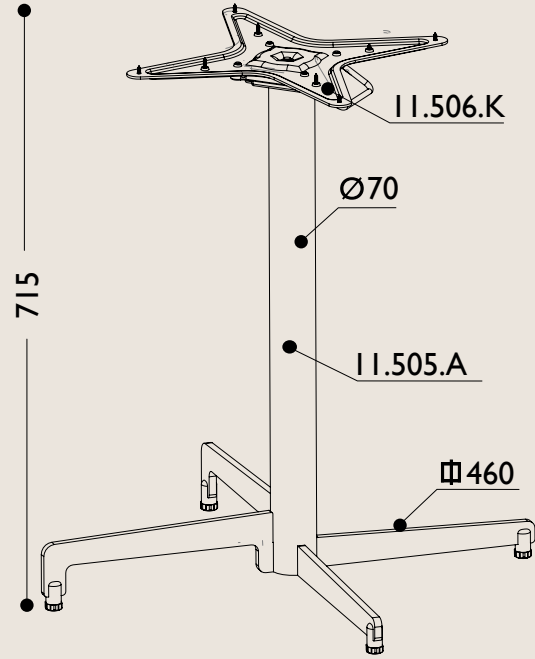
11.506.76



Colors 02

	Code	Ø (mm)	Base (mm)	H (mm)	Material	pcs	kg
Tube :	11.506.60	60	460	715	Steel	16	24.60
Tube :	11.506.76	76	460	715	Steel	9	15.00
Base :	11.506.T				Steel	1	6.57
Mounting Plate :	11.506.K				Steel	1	2.25

11.505

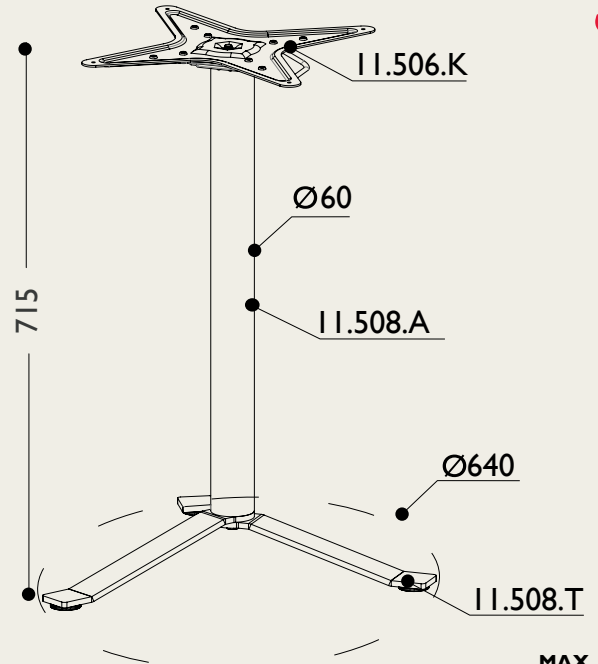


Colors 02

MAX
PLATE
80

	Code	\varnothing (mm)	Base(mm)	H(mm)	Material	pcs	kg
Tube :	11.507.A	60	$\varnothing 640$	1100	Steel	16	37.50
Base :	11.508.T				Steel	1	4.15
Mounting Plate :	11.506.K				Steel	1	2.25

11.508.A

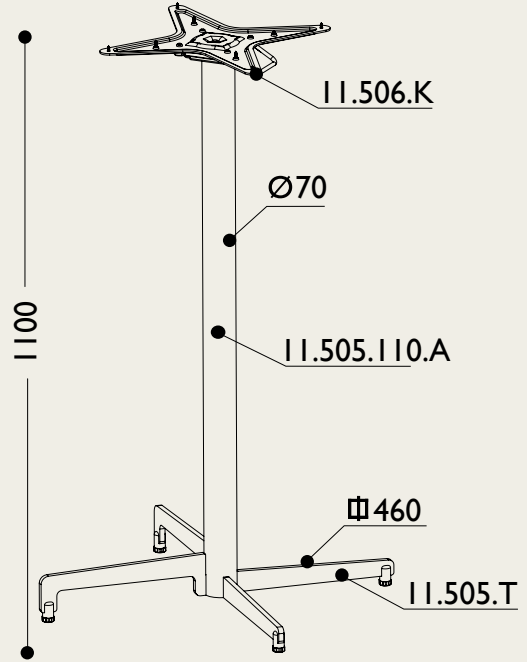


Colors 02

MAX
PLATE
80

	Code	\varnothing (mm)	Base(mm)	H(mm)	Material	pcs	kg
Tube :	11.508.A	60	$\varnothing 640$	715	Steel	16	22.50
Base :	11.508.T				Steel	1	4.15
Mounting Plate :	11.506.K				Steel	1	2.25

11.505.110

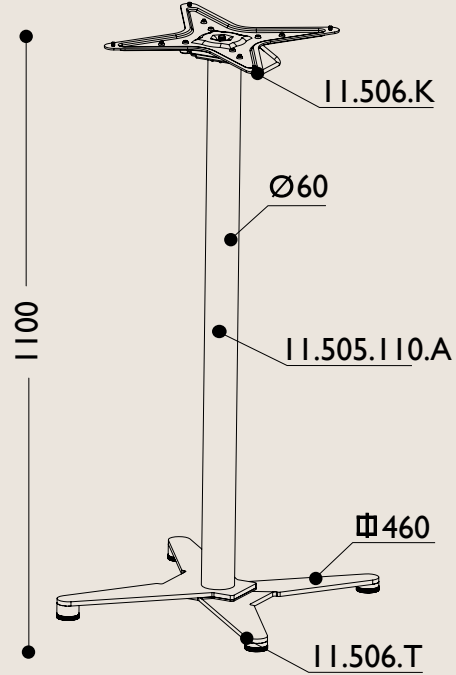


Colors 02

MAX
PLATE
70
80

	Code	Ø (mm)	Base (mm)	H (mm)	Material	pcs	kg
Tube :	11.505.110	70	460	715	Steel	4	10.00
Base :	11.505.T				Steel	1	6.57
Mounting Plate :	11.506.K				Steel	1	2.25

11.506.60110

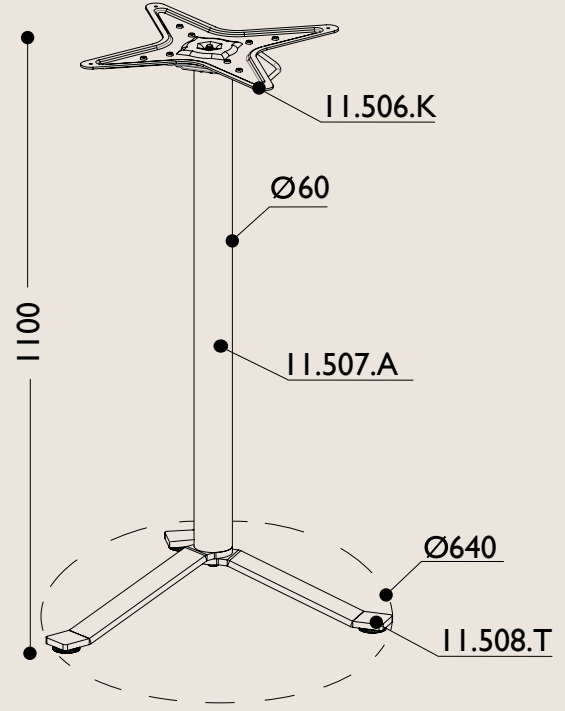


Colors 02

MAX
PLATE
70
80

	Code	Ø (mm)	Base (mm)	H (mm)	Material	pcs	kg
Tube :	11.506.60	60	460	715	Steel	16	24.60
Tube :	11.506.76	76	460	715	Steel	9	15.00
Base :	11.506.T				Steel	1	6.57
Mounting Plate :	11.506.K				Steel	1	2.25

11.507.A

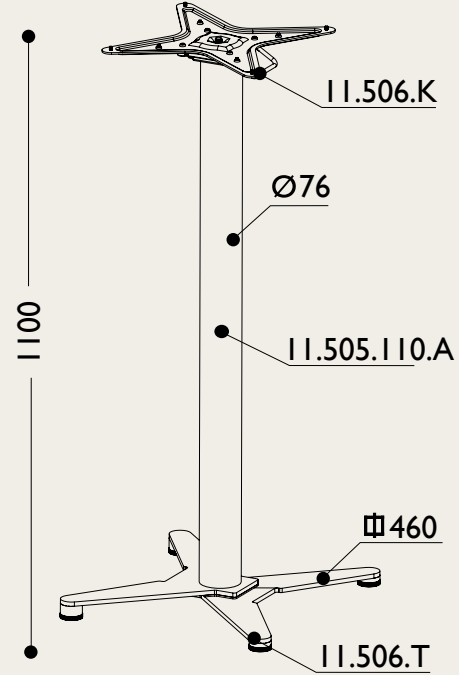


Colors 02

MAX
PLATE
80

	Code	∅(mm)	Base(mm)	H(mm)	Material	pcs	kg
Tube :	11.507.A	60	Ø640	1100	Steel	16	37.50
Base :	11.508.T				Steel	1	4.15
Mounting Plate :	11.506.K				Steel	1	2.25

11.506.76110



Colors 02

MAX
PLATE
80

	Code	∅(mm)	Base(mm)	H(mm)	Material	pcs	kg
Tube :	11.508.A	60	Ø640	715	Steel	16	22.50
Base :	11.508.T				Steel	1	4.15
Mounting Plate :	11.506.K				Steel	1	2.25

MASA&SEHPA AYAKLARI

TABLE&COFFEE TABLE LEGS





Masa Ayakları / Table Legs

11.170

Colors 01,02,10,18,21,24

Ø(mm)	H(mm)	Material	pcs	kg
32	710-725	Steel	4	2.65

11.840

Colors 01,02,10,18,21,24

Ø(mm)	H(mm)	Material	pcs	kg
42	710-730	Steel	4	3.50

11.850

Colors 01,02,10,18,21,24

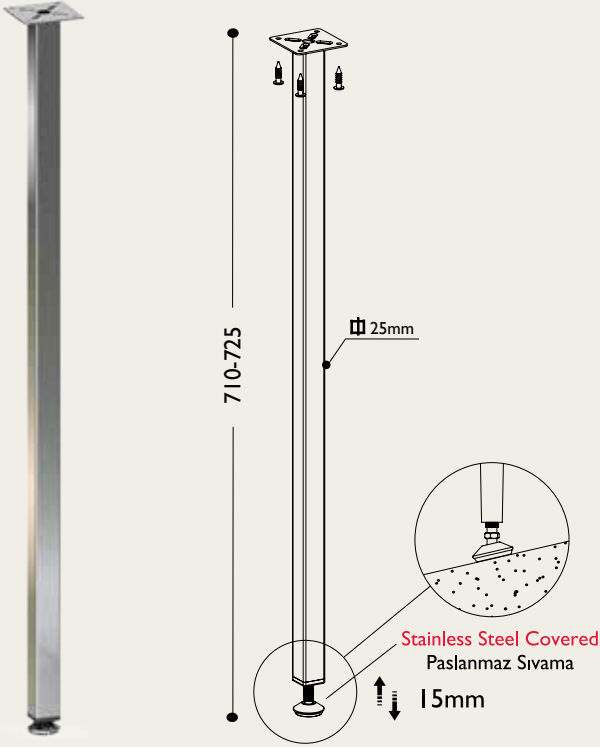
Ø(mm)	H(mm)	Material	pcs	kg
51	710-730	Steel	4	4.10

11.190

Colors 01,02,10,18,21,24

Ø(mm)	H(mm)	Material	pcs	kg
76	710-740	Steel	4	7.35

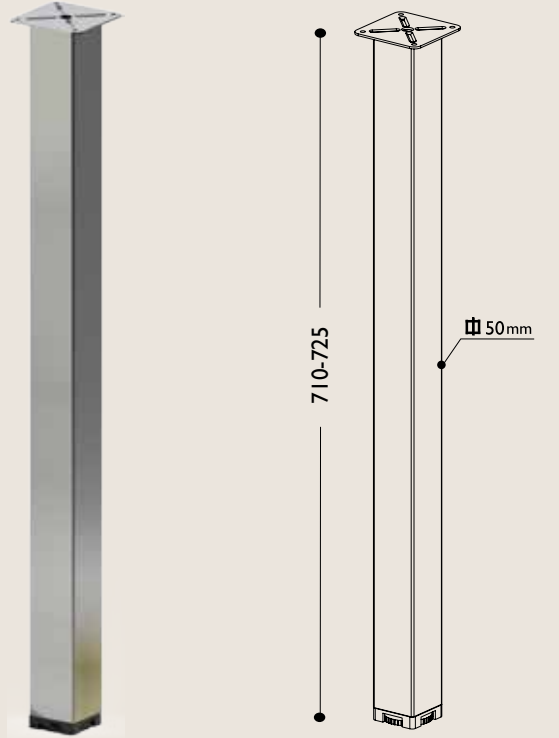
11.125



Colors 01,02,10,18,24

Ø(mm)	H(mm)	Material	pcs	kg
25X25	710-725	Steel	4	2.55

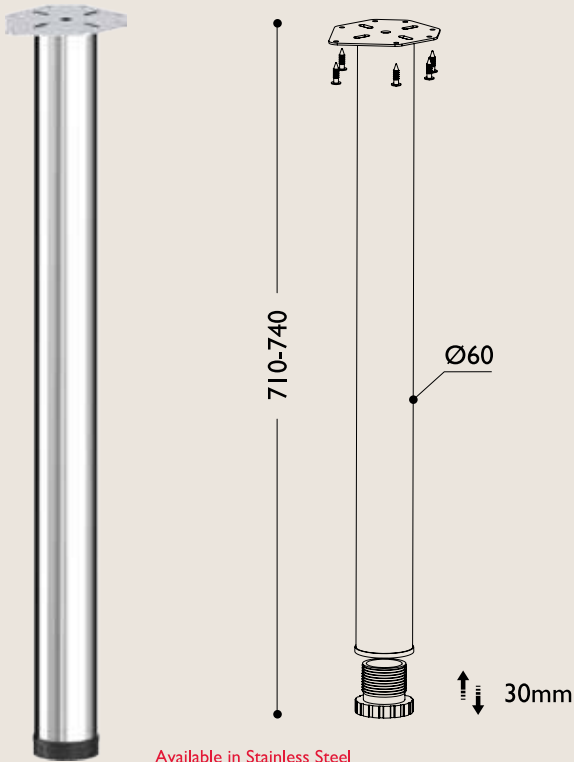
11.550



Colors 01,02,10,18,24

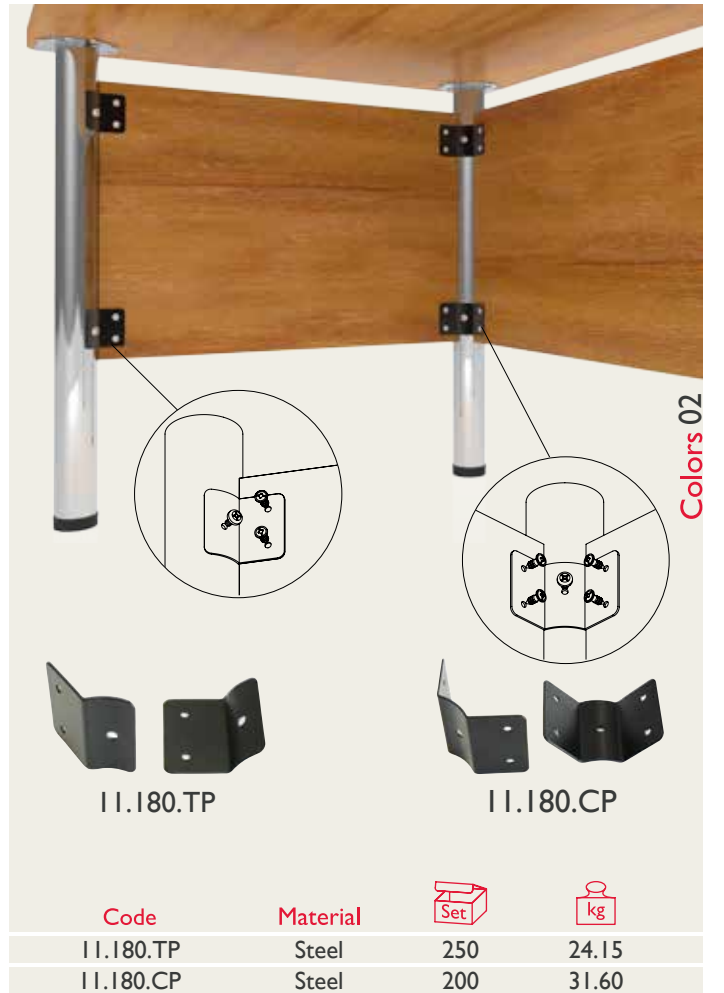
Ø(mm)	H(mm)	Material	pcs	kg
50x50	710-725	Steel	4	6.88

11.180



Colors 01,02,10,18,21,24,51

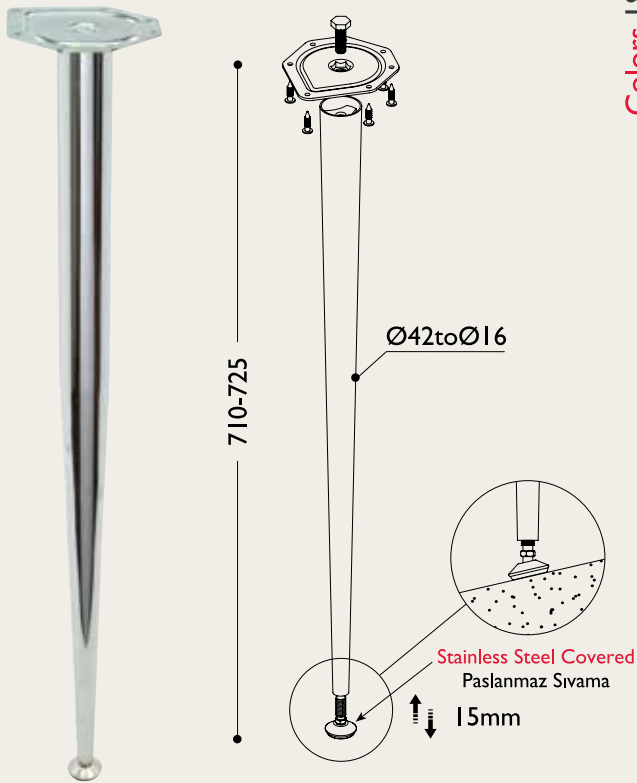
Ø(mm)	H(mm)	Material	pcs	kg
60	710-740	Steel	4	5.10



Colors 02

Code	Material	Set	kg
11.180.TP	Steel	250	24.15
11.180.CP	Steel	200	31.60

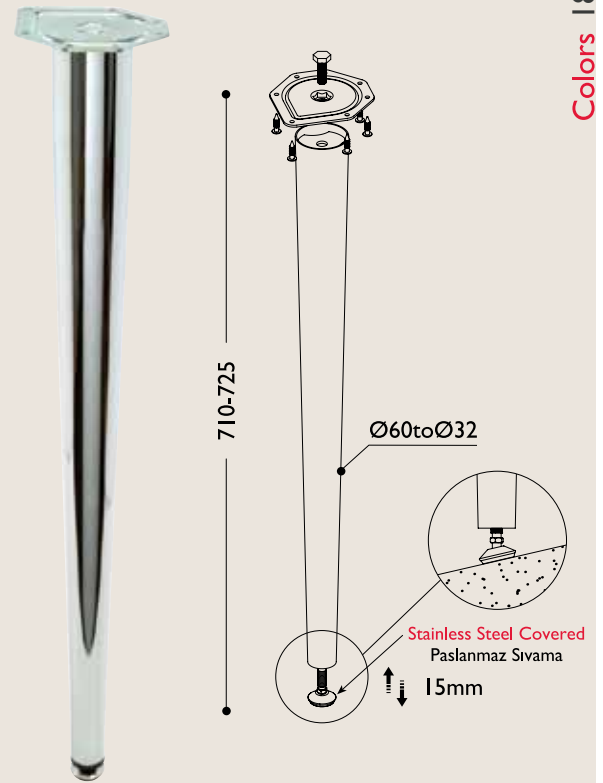
11.860



Colors 18,21,24

Ø(mm)	H(mm)	Material	pcs	kg
42to16	710-725	Steel	4	4.70

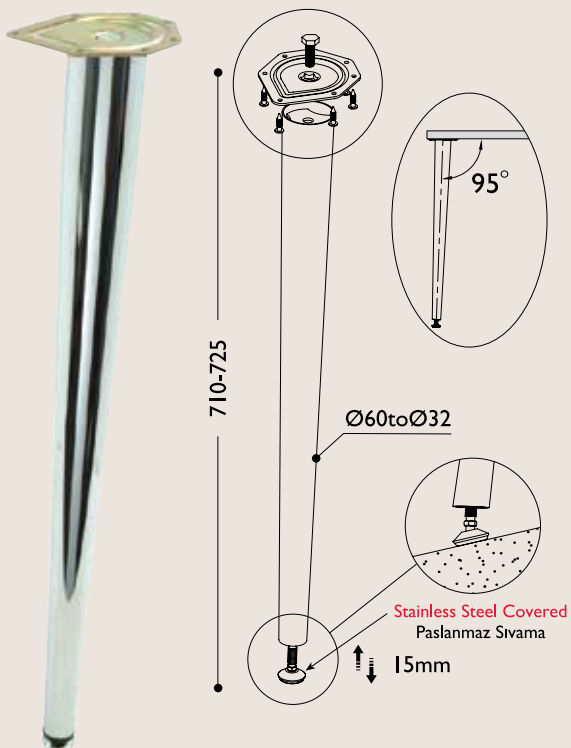
11.160



Colors 18,21,24

Ø(mm)	H(mm)	Material	pcs	kg
60to32	710-725	Steel	4	6.70

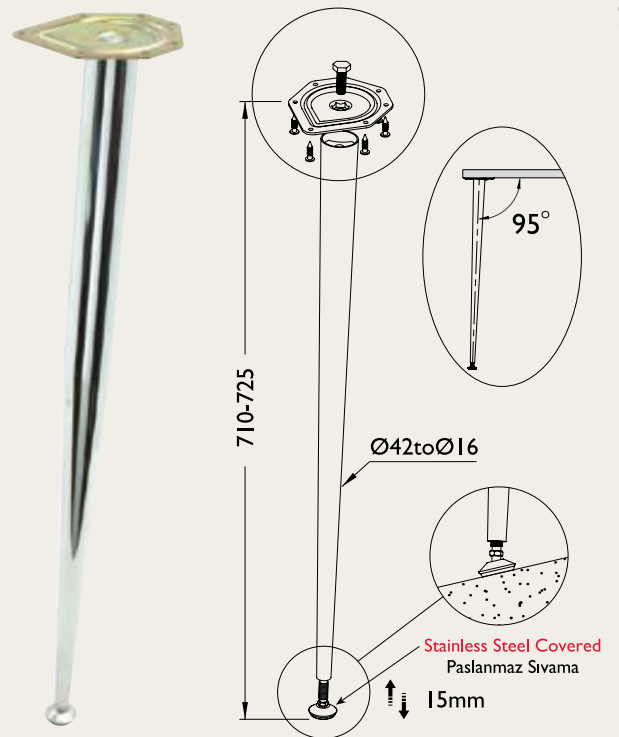
11.260



Colors 18,21,24

Ø(mm)	H(mm)	Material	pcs	kg
60-32	710-725	Steel	4	6.85

11.460

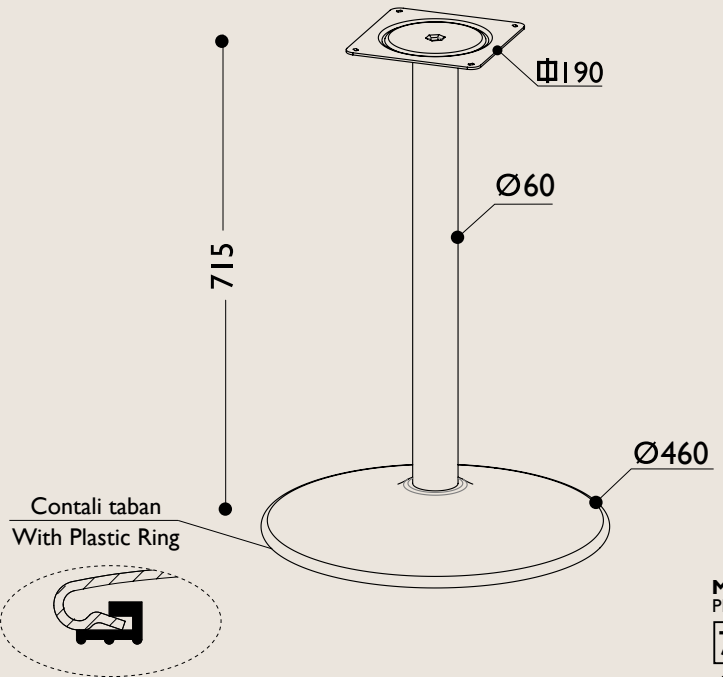


Colors 18,21,24

Ø(mm)	H(mm)	Material	pcs	kg
42to16	710-725	Steel	4	4.85

12.010.B

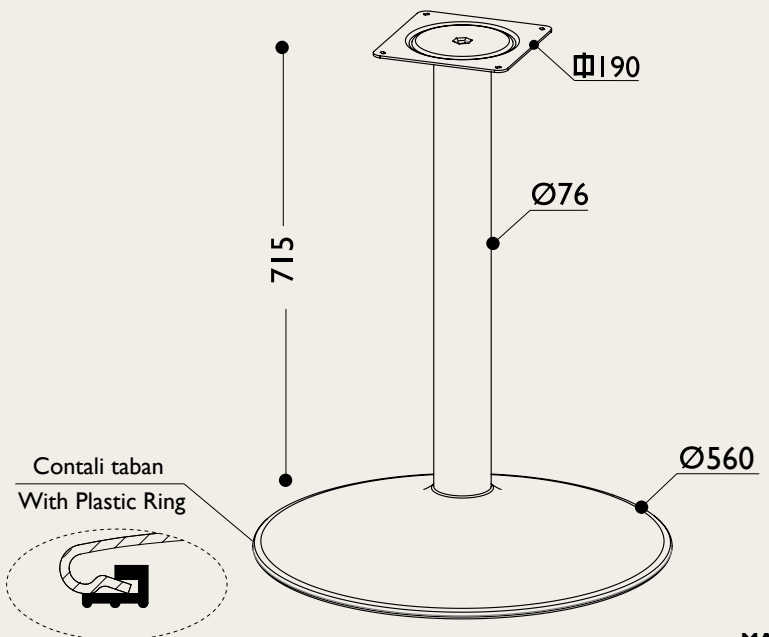
Colors | 8



	Code	Ø(mm)	H(mm)	Material	pcs	kg
Tube :	12.010.B	60	715	Steel	16	17.50
Base + Mounting Plate :	12.010.T			Steel	1	4.68

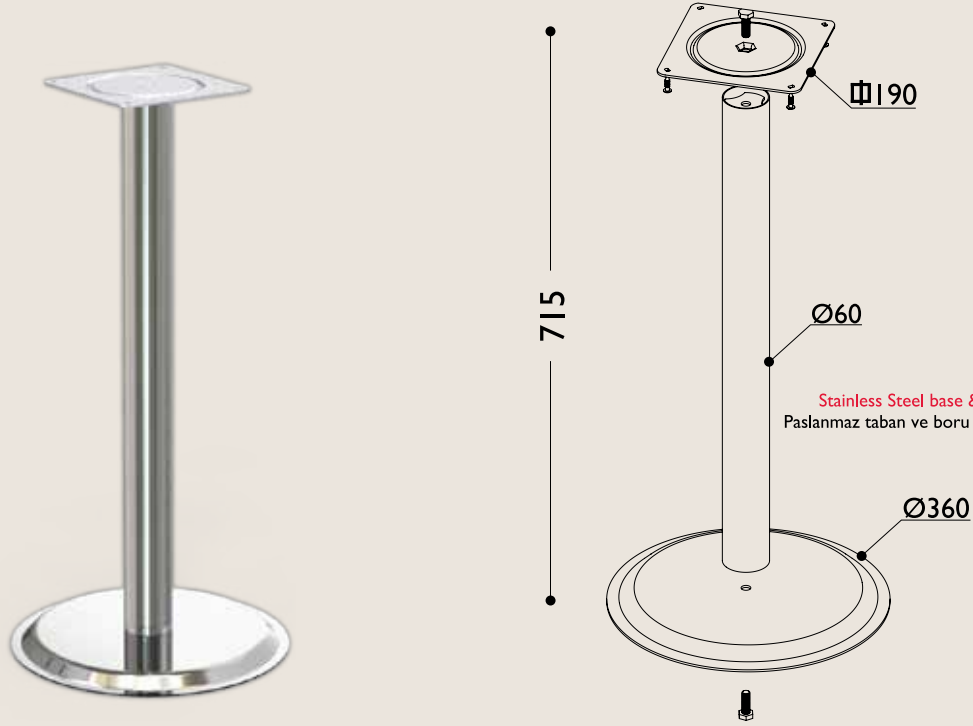
12.011.B

Colors | 8

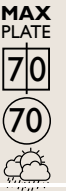


	Code	Ø(mm)	H(mm)	Material	pcs	kg
Tube :	12.011.B	76	715	Steel	9	14.70
Base + Mounting Plate :	12.011.T			Steel	1	6.00

11.183

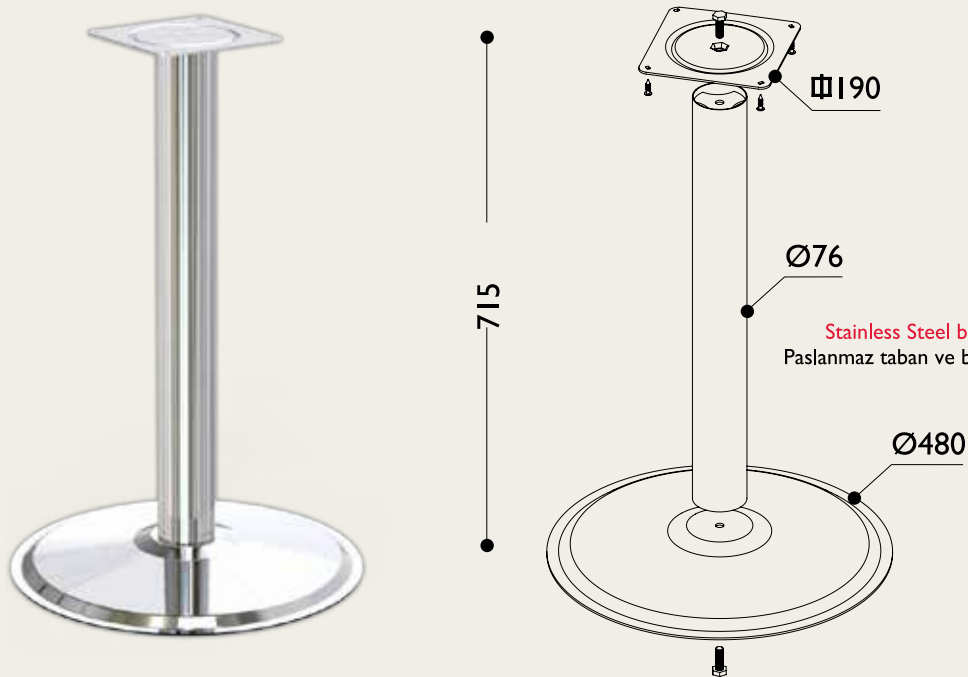


Colors 02,10,18,21,24,51



	Code	Ø(mm)	Base(mm)	H(mm)	Material	pcs	kg
Tube :	11.183	60	360	715	Steel+Stainless Steel	Tube 16	Tube 18.67
Base + Mounting Plate :	11.183.T					Base 1	Base 3.60

11.193

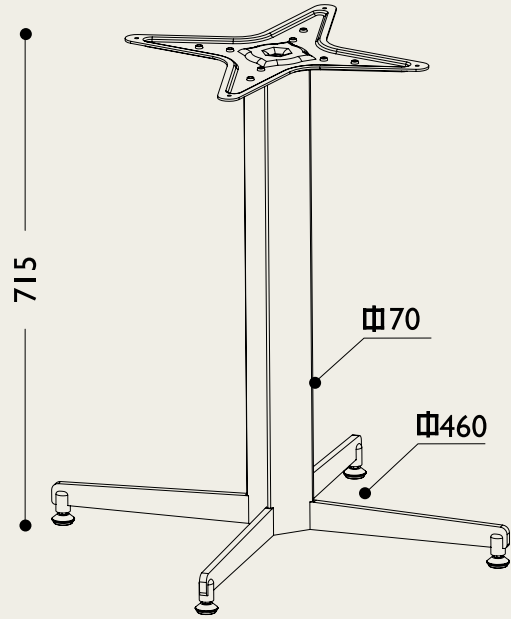


Colors 02,10,18,21,24,51



	Code	Ø(mm)	Base(mm)	H(mm)	Material	pcs	kg
Tube :	11.193	76	480	715	Steel+Stainless Steel	Tube 9	Tube 15.50
Base + Mounting Plate :	11.193.T					Base 1	Base 5.65

11.473



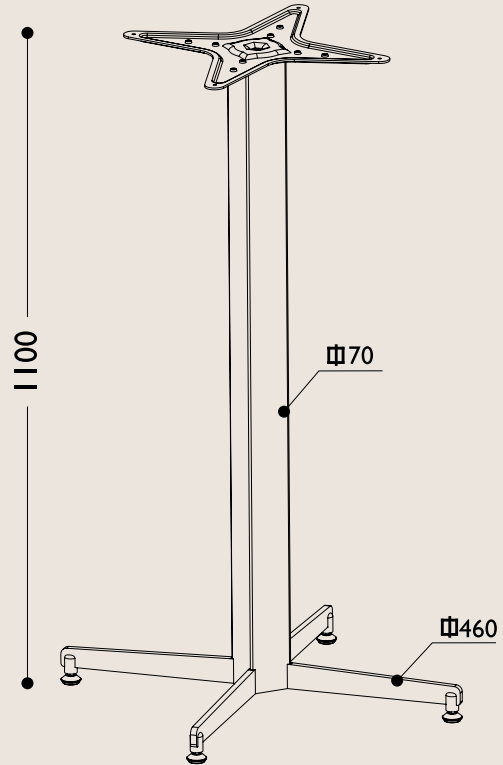
Colors 02,10,18,21,24

MAX
PLATE
80
90

Code	Ø(mm)	Base Ø(mm)	H(mm)	Material	pcs	kg
11.473	70	460	715	Steel	Tube 4 Base 1	Tube 10.20 Base 6.60

Base + Mounting Plate : 11.473.T

11.472



Colors 18,21,24

MAX
PLATE
75
80

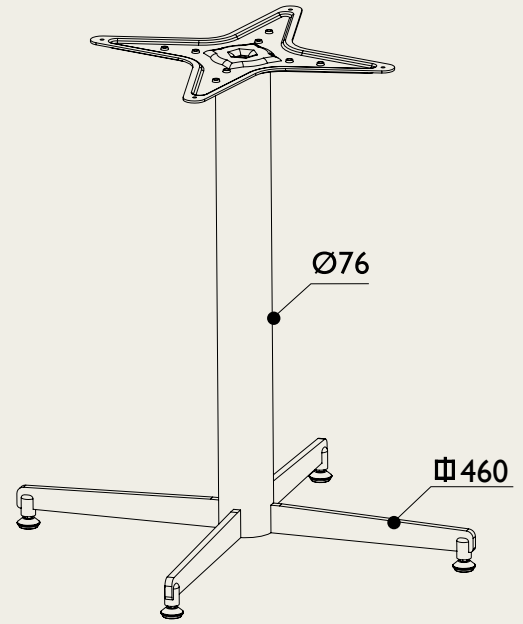
Code	Ø(mm)	Base Ø(mm)	Height(mm)	Material	pcs	kg
11.472	70	460	1100	Steel	Tube 4 Base 1	Tube 15.40 Base 6.60

Base + Mounting Plate : 11.473.T

11.475



715



Colors 01,02,10,18

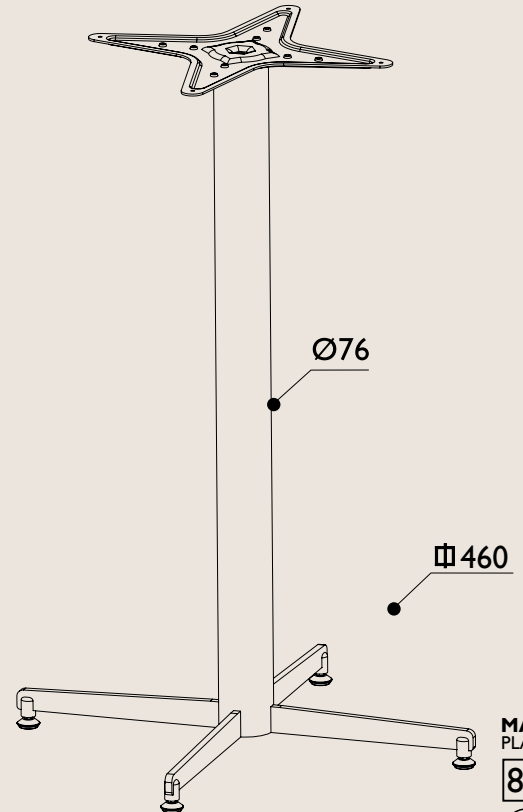
MAX
PLATE
80
90

Code	Ø(mm)	Base(mm)	H(mm)	Material	pcs	kg
11.475	76	460	715	Steel	9	15.50
Base + Mounting Plate : 11.473.T				Steel	1	6.60

11.475.110



1100

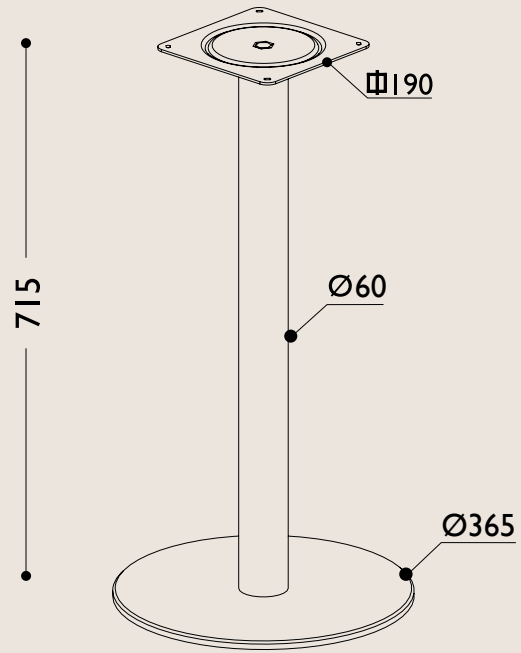


Colors 01,02,10,18

MAX
PLATE
80
90

Code	Ø(mm)	Base(mm)	H(mm)	Material	pcs	kg
11.475	76	460	715	Steel	9	15.50
Base + Mounting Plate : 11.473.T				Steel	1	6.60

11.210

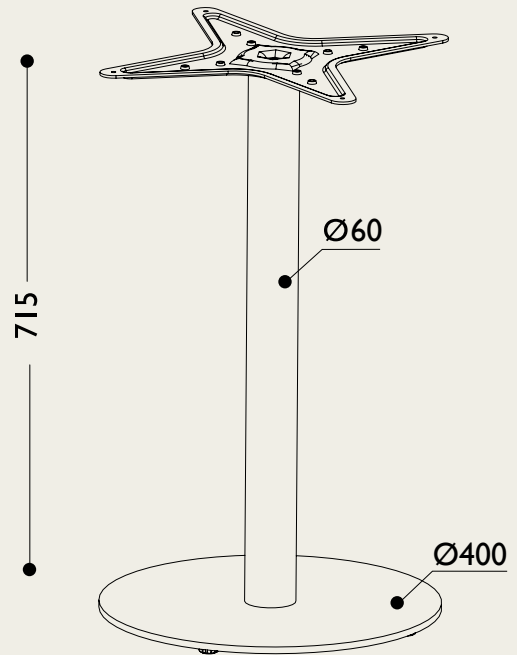


Colors 02,18

MAX
PLATE
70
80

	Code	Ø(mm)	H(mm)	Material	pcs	kg
Tube :	11.221	60	715	Steel	16	28.15
Base :	11.210.T			Steel	1	6.80
Mounting Plate :	11.183.KO		8	Sheet Metal	1	0.90

11.223



Colors 02

MAX
PLATE
80
90

	Code	Ø(mm)	H(mm)	Material	pcs	kg
Tube :	11.221	60	715	Steel	16	28.15
Base :	11.200.T			Steel	1	13.52
Mounting Plate :	11.200.K			Steel	1	1.35

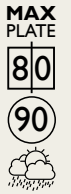
11.200



715



Stainless Steel base & tube available
Paslanmaz taban ve boru seçeneği mevcuttur



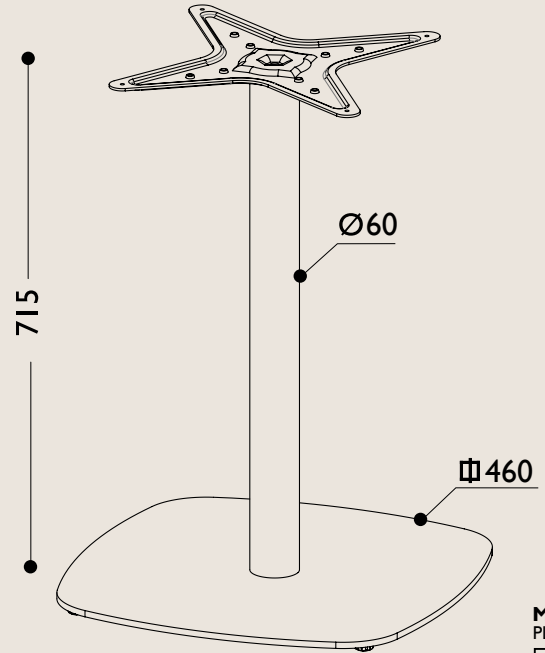
Colors 02, 10, 18, 21, 24, 51

	Code	Ø(mm)	Base(mm)	H(mm)	Material	pcs	kg
Tube :	11.200	76	460	715	Steel+ Stainless Steel	9	15.50
Base :	11.200.T				Steel+ Stainless Steel	1	11.05
Mounting Plate :	11.200.K				Steel	1	1.35

11.221



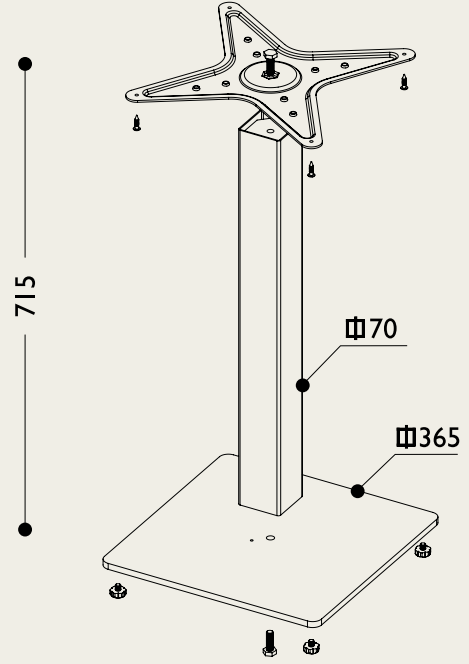
715



Colors 02

	Code	Ø(mm)	H(mm)	Material	pcs	kg
Tube :	11.221	60	715	Steel	16	28.15
Base :	11.221.T			Steel	1	13.52
Mounting Plate :	11.200.K			Steel	1	1.35

11.471

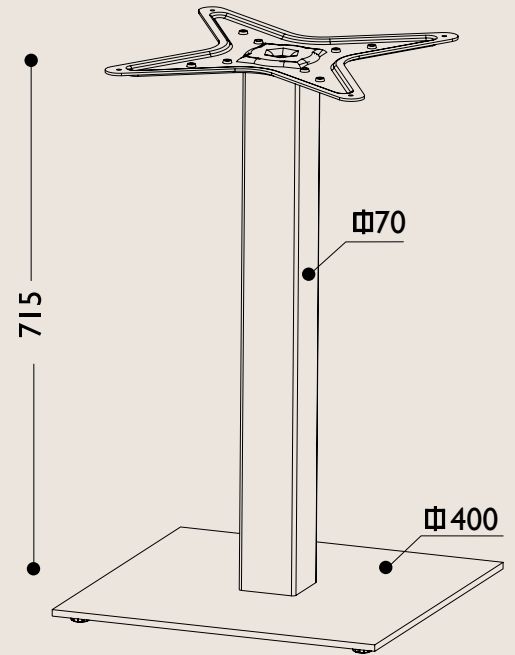


Colors 02,10,18,21,24,51

MAX
PLATE
75
80

	Code	Ø (mm)	Base (mm)	H (mm)	Material	pcs	kg
Tube :	11.471	70	365	715	Steel	4	10.28
Base :	11.211.T				Steel+Stainless Steel	1	8.60
Mounting Plate :	11.200.K				Steel	1	1.35

11.222

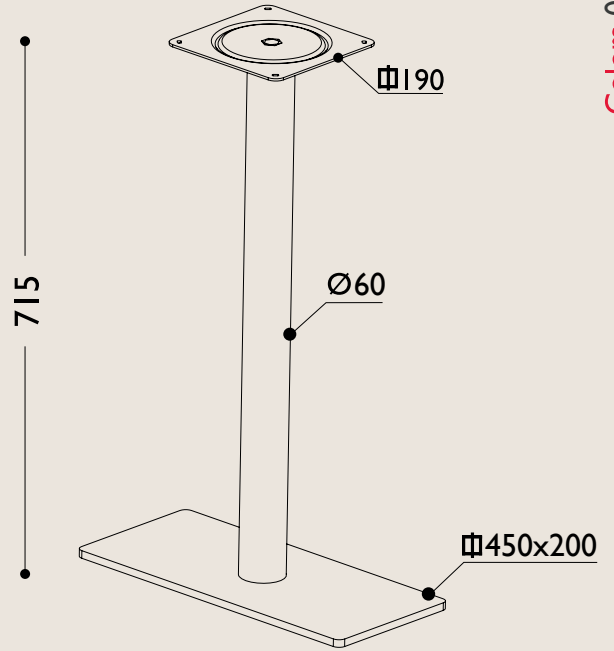


Colors 02

MAX
PLATE
80
90

	Code	Ø (mm)	H (mm)	Material	pcs	kg
Tube :	11.471	60	715	Steel	16	28.15
Base :	11.222.T			Steel	1	13.52
Mounting Plate :	11.200.K			Steel	1	1.35

11.209

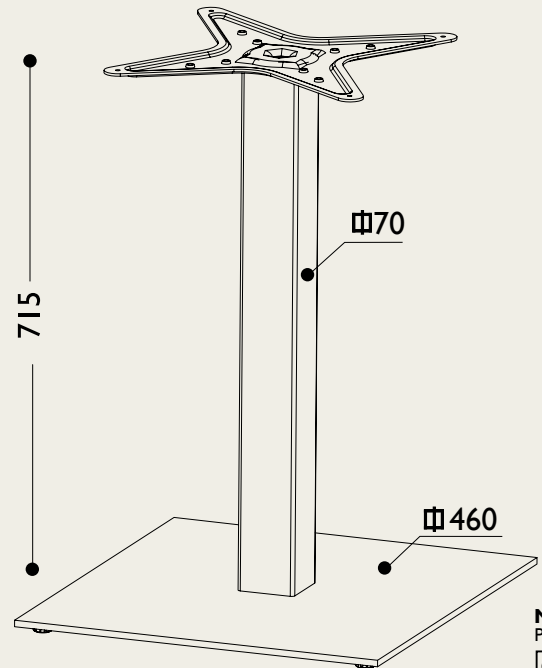


Colors 02,18

MAX
PLATE
75
80

	Code	Ø(mm)	H(mm)	Material	pcs	kg
Tube :	11.221	60	715	Steel	16	28.15
Base :	11.209.T			Steel	1	6.00
Mounting Plate :	11.183.KO		8	Sheet Metal	1	0.90

11.201

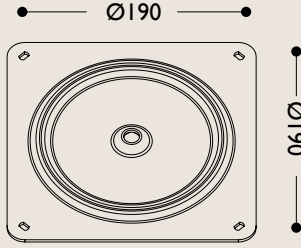


Colors 02

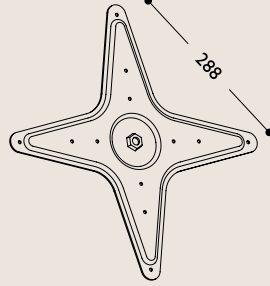
MAX
PLATE
80
90

	Code	Ø(mm)	H(mm)	Material	pcs	kg
Tube :	11.471	70	715	Steel	4	10.28
Base :	11.201.T	450		Steel	1	13.10
Mounting Plate :	11.200.K			Steel	1	1.35

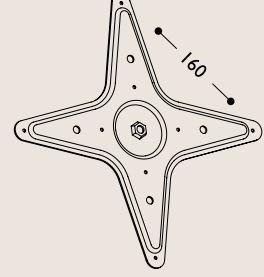
Code : 11.183.KO



Code : 11.200.K



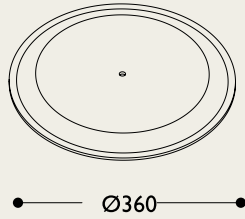
Code : 11.203.K



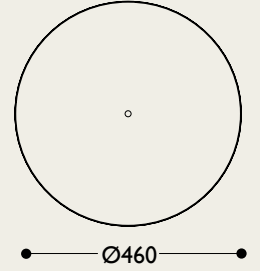
Code	Hole Spacing (mm)	H(mm)	Material	pcs	kg
11.183.KO	160	8	Sheet Metal	1	0.90
11.200.K	160	8	Sheet Metal	5	7.00
11.203.K	160	8	Sheet Metal	5	7.00

Code : 11.183.T

Base available in Stainless Steel
Paslanmaz taban seçeneği mevcuttur

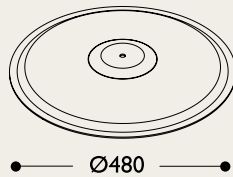


Code. 12.010.T

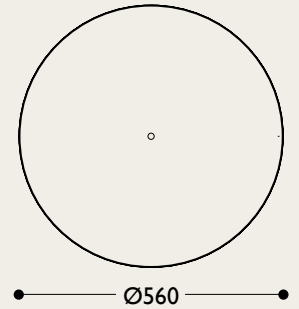


Code. 11.193.T

Base available in Stainless Steel
Paslanmaz taban seçeneği mevcuttur



Code. 12.011.T



Code	Dimensions (mm)	H(mm)	Material	pcs	kg
11.183.T	Ø360	20	Steel+Stainless Steel	1	3.60
11.193.T	Ø480	45	Steel+Stainless Steel	1	5.65
12.010.T	Ø460	70	Steel	1	4.10
12.011.T	Ø560	90	Steel	1	6.00



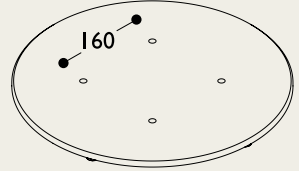
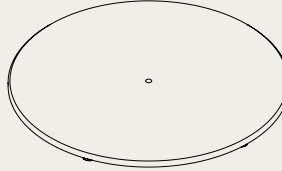
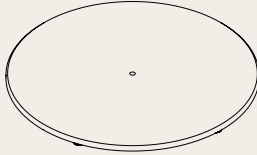
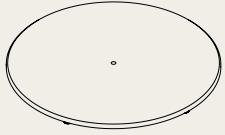
Code : 11.210.T

Code : 11.223.T

Code : 11.200.T

Code : 11.203.T

Colors 02,51,53



Ø365

Ø400

Ø460

Ø460

Base available in Stainless Steel
Paslanmaz taban seçeneği mevcuttur

Base available in Stainless Steel
Paslanmaz taban seçeneği mevcuttur



Code	Ø(mm)	Thickness(mm)	Material	Holes on Base	pcs	kg
11.210.T	Ø365	8	Steel / Stainless Steel Covered	1	1	
11.223.T	Ø400	8	Steel / Stainless Steel Covered	1	1	8.00
11.200.T	Ø460	8	Steel / Stainless Steel Covered	1	1	11.05
11.203.T	Ø460	8	Steel / Stainless Steel Covered	4	1	11.05

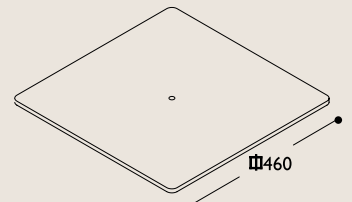
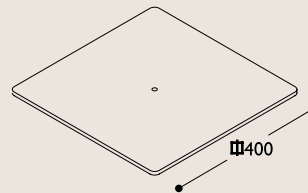
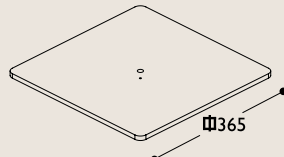
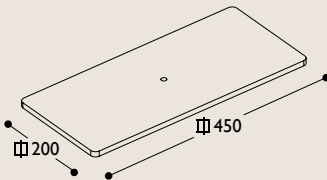
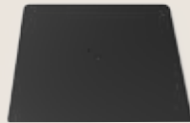
Code : 11.209.T

Code : 11.211.T

Code : 11.222.T

Code : 11.201.T

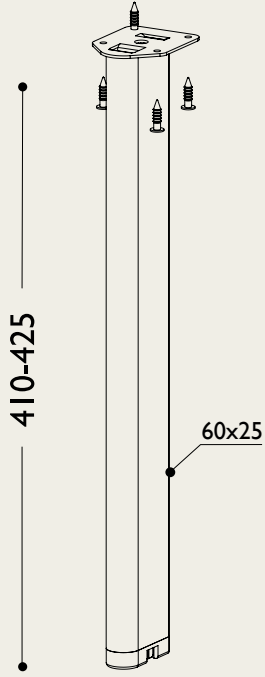
Colors 02,18,51,53



Code	Ø(mm)	Thickness(mm)	Material	Holes on Base	pcs	kg
11.209.T	450x200	8	Steel	1	1	6.00
11.211.T	365	8	Steel	1	1	8.60
11.222.T	400	8	Steel	1	1	10.54
11.201.T	460	8	Steel	1	1	13.10

Sehpa Ayakları / Coffee Table Legs

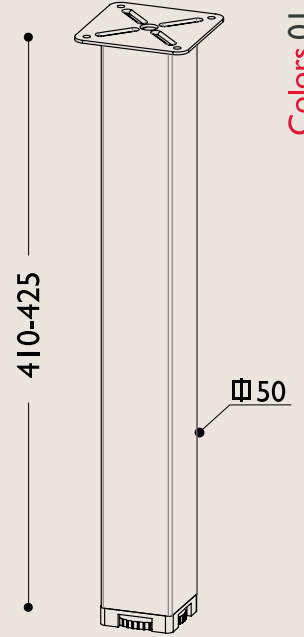
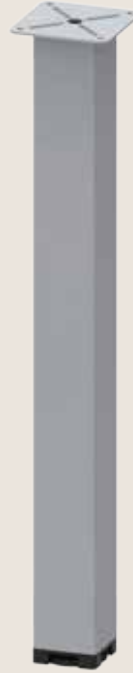
13.300



Colors 10,18,21,24

Size(mm)	H(mm)	Material	pcs	kg
60x25	410-425	Steel	4	3,35

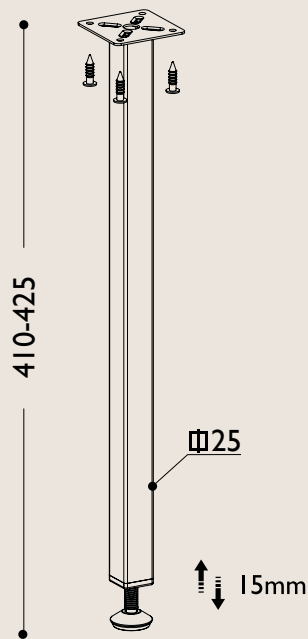
13.500



Colors 01,02,18,21,24

Ø(mm)	H(mm)	Material	pcs	kg
50	410-425	Steel	4	4,23

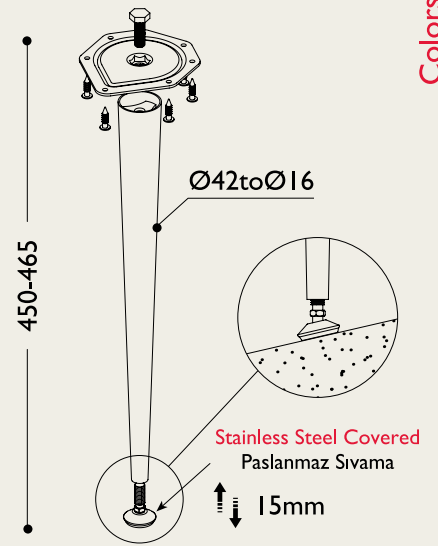
13.125



Colors 01,02,18,21,24

Ø(mm)	H(mm)	Material	pcs	kg
25	410-425	Steel	4	1.58

13.861

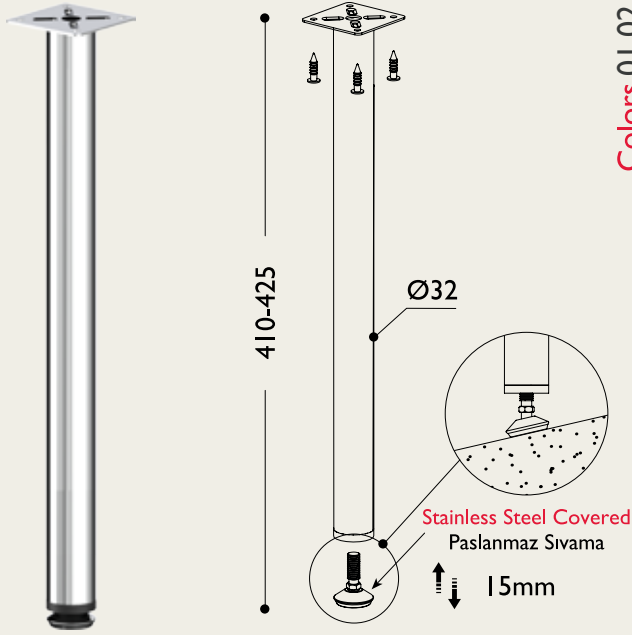


Colors 10,18,21,24

Ø(mm)	H(mm)	Material	pcs	kg
42to16	450-465	Steel	4	3.35

Sehpa Ayakları / Coffee Table Legs

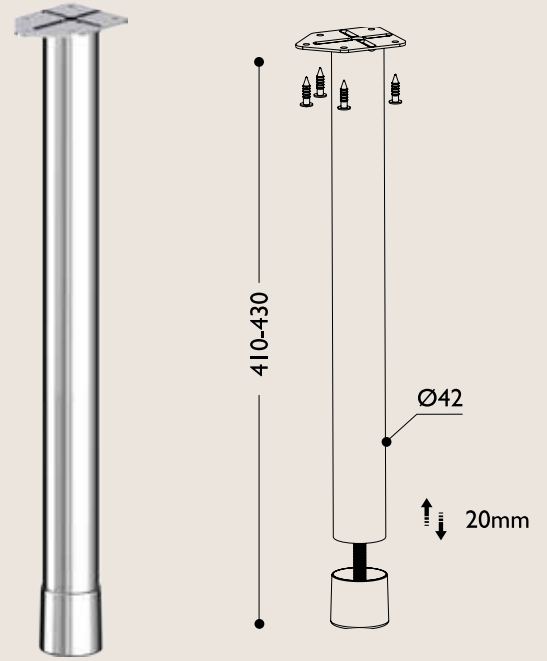
13.171



Colors 01,02,18,21,24

Ø(mm)	H(mm)	Material	pcs	kg
32	410-425	Steel	4	4.60

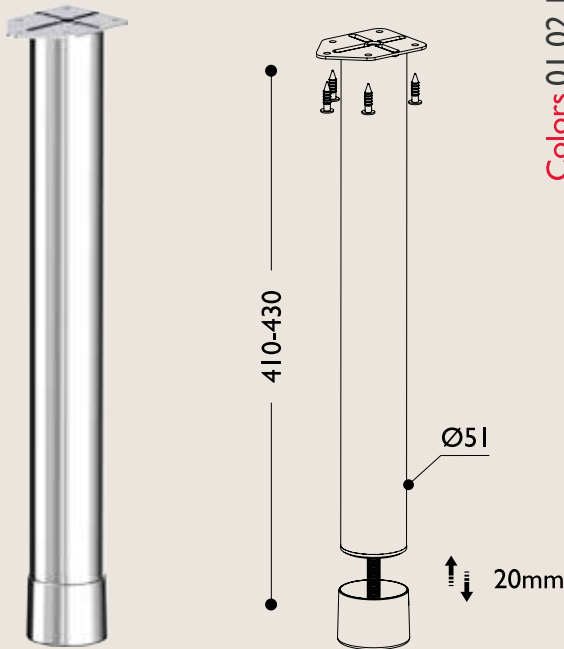
13.841



Colors 01,02,18,21,24

Ø(mm)	H(mm)	Material	pcs	kg
42	410-430	Steel	4	2.30

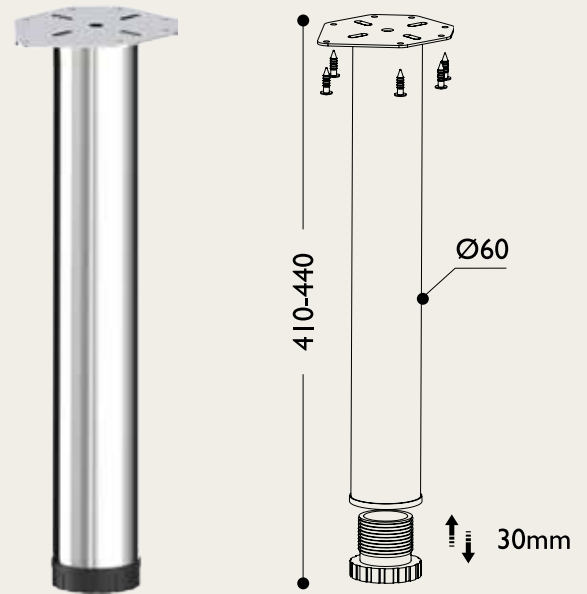
13.851



Colors 01,02,18,21,24

Ø(mm)	H(mm)	Material	pcs	kg
51	410-430	Steel	4	2.65

13.181

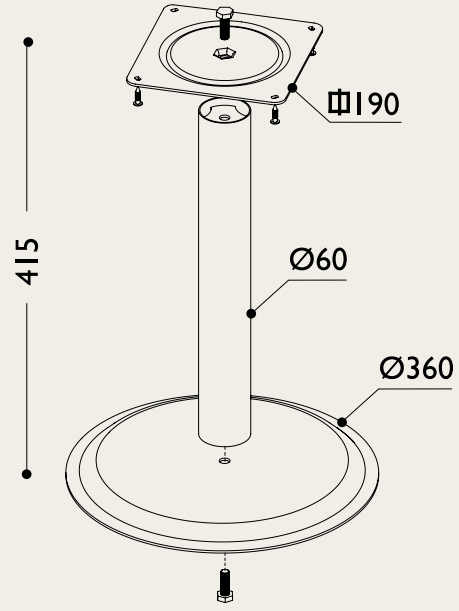


Colors 01,02,18,21,24,51

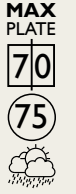
Available in Stainless Steel
Paslanmaz boru seçeneği mevcuttur

Ø(mm)	H(mm)	Material	pcs	kg
60	410-440	Steel+Stainless Steel	4	3.27

13.184



Available in Stainless Steel for Base and Tube
Paslanmaz taban ve boru seçeneği mevcuttur

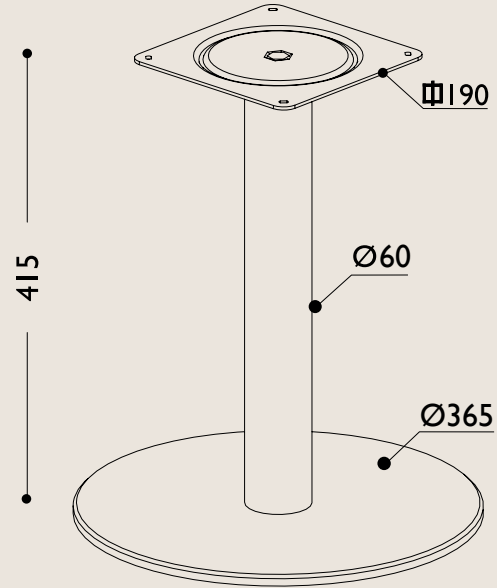


Code	Ø(mm)	Base (Ømm)	H(mm)	Material	pcs	kg
13.184	60	360	415	Steel+Stainless Steel	Tube 16 Base 1	Tube 13.70 Base 3.60

Base + Mounting Plate : 11.183.T

Colors 02,10,18,21,24,51

13.210



Stainless Steel base & tube available
Paslanmaz taban ve boru seçeneği mevcuttur



	Code	Ø(mm)	H(mm)	Material	pcs	kg
Tube :	13.210	60	415	Steel	16	28.15
Base :	11.210.T			Steel	1	6.80
Mounting Plate :	11.183.KO		8	Sheet Metal	1	0.90

Colors 02,18

Ø35



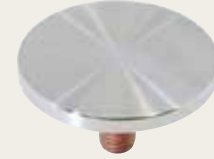
Code : 11.170CT

Ø45



Code : 11.846CT

Ø55



Code : 11.856CT

Ø65



Code : 11.186CT

Ø80



Code : 11.196CT



Glass plates can be applied to all kinds of table legs.
Cam flanşları bütün masa ayaklarına uygulanabilir.



Code	Ø(mm)	⊘(mm)	Screw x Height (mm)	Material	pcs	kg
					Stainless Steel	Stainless Steel
11.170CT	35	-	M10 x 25	Stainless Steel	192	9.20
11.846CT	45	-	M10 x 25	Stainless Steel	192	12.70
11.856CT	55	-	M10 x 25	Stainless Steel	192	17.50
11.186CT	65	-	M10 x 25	Stainless Steel	96	11.70
11.196CT	80	-	M12 x 25	Stainless Steel	96	17.50
11.476CT	-	75	M12 x 25	Stainless Steel	1	0.28



BAZA&MOBİLYA AYAKLARI
PLINTH&FURNITURE FEET

Code	Ø(mm)	H(mm)	Material	pcs	kg
15.160	25	200-220	Steel	40	7.00
15.161	25	150-170	Steel	54	7.60
15.162	25	100-120	Steel	80	8.75
15.163	25	70-90	Steel	100	9.00

Code	Ø(mm)	Screw(mm)	H(mm)	Material	pcs	kg
15.900	40	M8	200-215	Plastic +Aluminium	30	5.25
15.901	40	M8	150-165	Plastic +Aluminium	42	5.90
15.902	40	M8	100-115	Plastic +Aluminium	50	5.45
15.903	40	M8	70-85	Plastic +Aluminium	60	5.35



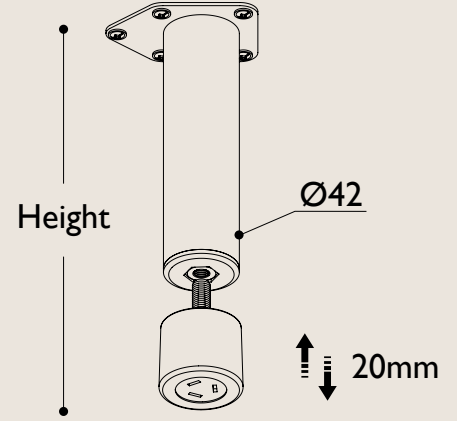
20cm



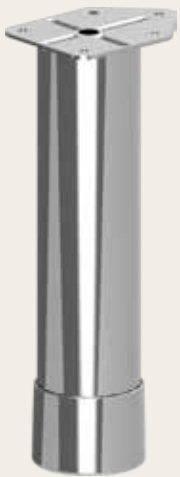
15cm



10cm



Code	Ø(mm)	Screw(mm)	H(mm)	Material	pcs	kg
15.142	42	M10	200-220	Steel	32	12.50
15.143	42	M10	150-170	Steel	50	16.30
15.144	42	M10	100-120	Steel	60	15.70



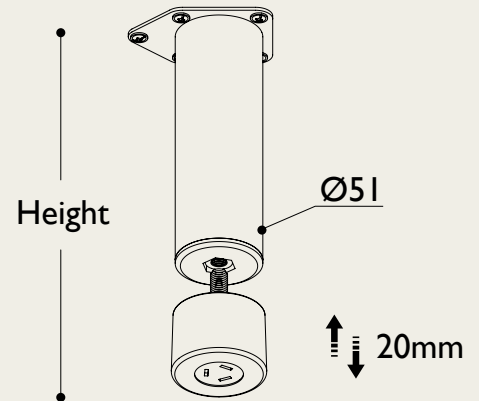
20cm



15cm



10cm



Code	Ø(mm)	Screw(mm)	H(mm)	Material	pcs	kg
15.152	51	M10	200-220	Steel	24	10.80
15.153	51	M10	150-170	Steel	32	12.45
15.154	51	M10	100-120	Steel	50	14.93



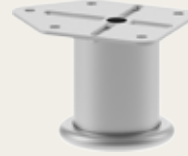
20cm



15cm

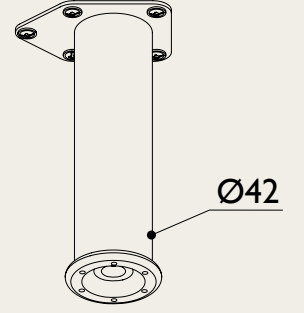


10cm



5cm

Height



Ø42

Code	Ø(mm)	Screw(mm)	H(mm)	Material	pcs	kg
15.842	42	M10	200	Steel	32	10.60
15.843	42	M10	150	Steel	50	13.50
15.844	42	M10	100	Steel	60	12.50
15.845	42	M10	50	Steel	100	9.80



20cm



15cm

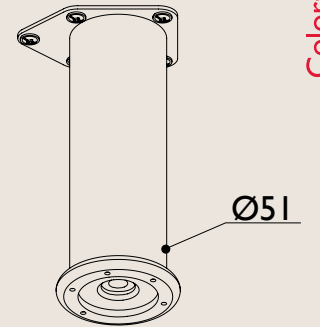


10cm



5cm

Height



Ø51

Code	Ø(mm)	Screw(mm)	H(mm)	Material	pcs	kg
15.852	51	M10	200	Steel	24	9.80
15.853	51	M10	150	Steel	32	10.30
15.854	51	M10	100	Steel	50	12.60
15.855	51	M10	50	Steel	80	14.00



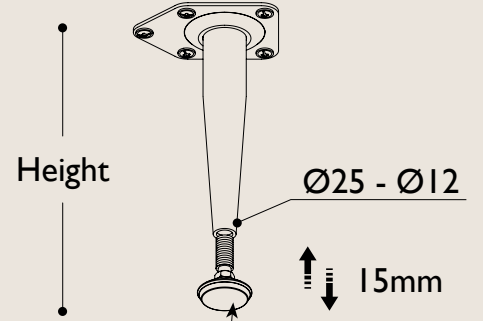
15cm



12cm



10cm



Stainless Steel Covered
Paslanmaz Sivama

Code	Ø(mm)	Screw(mm)	H(mm)	Material	pcs	kg
15.230	Ø25toØ12	M10	150-165	Steel	72	15.60
15.231	Ø25toØ12	M10	120-135	Steel	80	14.00
15.232	Ø25toØ12	M10	100-115	Steel	90	14.25



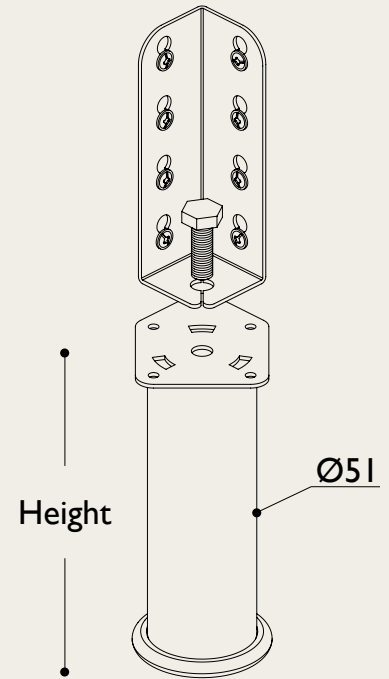
20cm



15cm



10cm



Code	Ø(mm)	Screw(mm)	H(mm)	Material	pcs	kg
15.235	51	M10	200	Steel	18	10.80
15.236	51	M10	150	Steel	18	10.70
15.237	51	M10	100	Steel	18	11.00



20cm



15cm

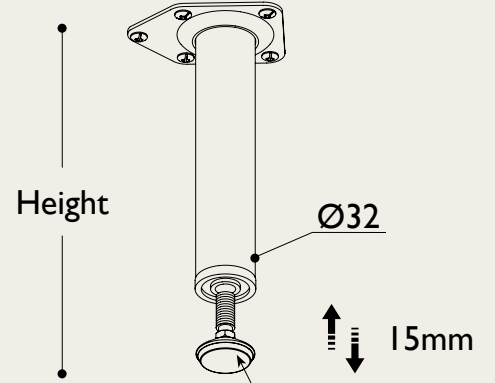
304
Stainless
Steel



10cm



7cm



Stainless Steel Covered
Paslanmaz Sivama



20cm



15cm



10cm



7cm

Code	Ø(mm)	Screw(mm)	H(mm)	Material	pcs	kg
15.172	32	M10	200-215	Steel+Stainless Steel	40	11.65
15.173	32	M10	150-165	Steel+Stainless Steel	50	12.40
15.174	32	M10	100-115	Steel+Stainless Steel	80	15.65
15.174.K	32	M10	70-85	Steel+Stainless Steel	100	16.35



20cm

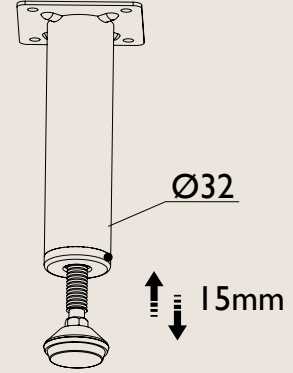


15cm

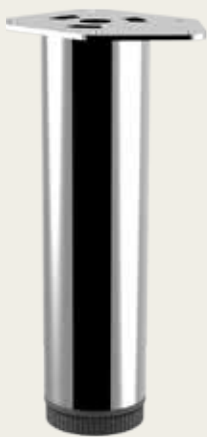


10cm

Height



Code	Ø(mm)	H(mm)	Material	pcs	kg
15.132	32	200-215	Steel	50	10.96
15.133	32	150-165	Steel	60	10.92
15.134	32	100-115	Steel	80	11.46



20cm

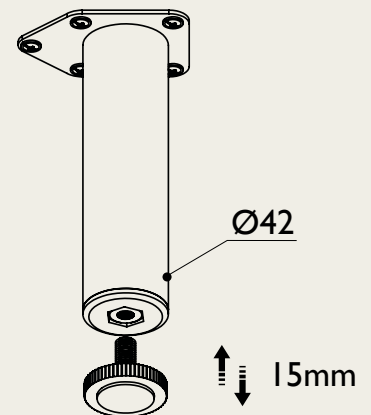


15cm



10cm

Height



Code	Ø(mm)	Screw(mm)	H(mm)	Material	pcs	kg
15.342	42	M10	200-215	Steel	32	9.60
15.343	42	M10	150-165	Steel	50	12.60
15.344	42	M10	100-115	Steel	60	12.75



20cm



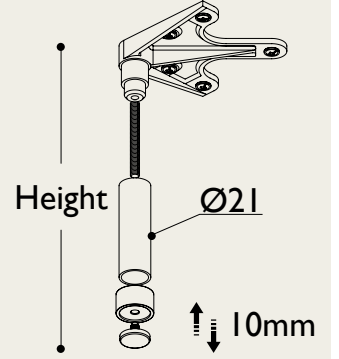
15cm



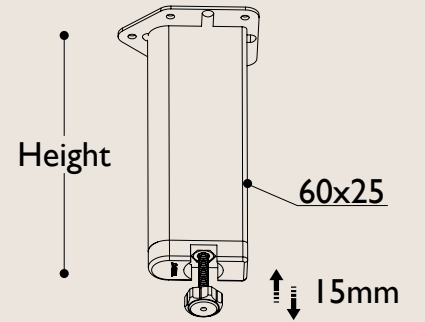
10cm



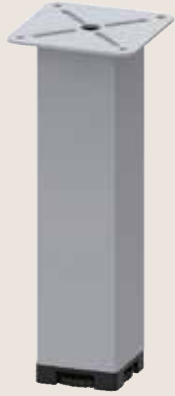
7cm



Code	Ø(mm)	Screw(mm)	H(mm)	Material	pcs	kg
15.120	21	M6	200-210	Aluminium + Steel Tube	40	12.00
15.121	21	M6	150-160	Aluminium + Steel Tube	80	12.70
15.122	21	M6	100-110	Aluminium + Steel Tube	90	16.40
15.123	21	M6	70-80	Aluminium + Steel Tube	100	17.70



Code	Screw(mm)	H(mm)	Material	pcs	kg
15.300	M8	200-215	Steel	32	14.40
15.301	M8	150-165	Steel	50	17.65
15.302	M8	100-115	Steel	60	15.25
15.303	M8	70-85	Steel	80	16.35



20cm



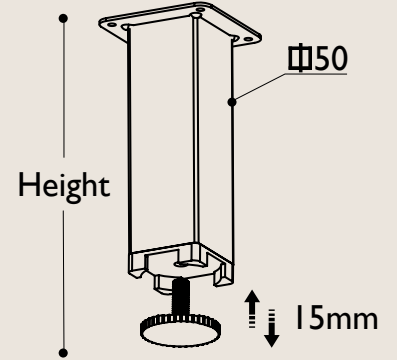
15cm



10cm



7cm



Code	Ø(mm)	Screw(mm)	H(mm)	Material	pcs	kg
15.500	50	M10	200-215	Steel	26	13.85
15.501	50	M10	150-165	Steel	32	13.80
15.502	50	M10	100-115	Steel	42	13.60
15.503	50	M10	70-85	Steel	64	16.40



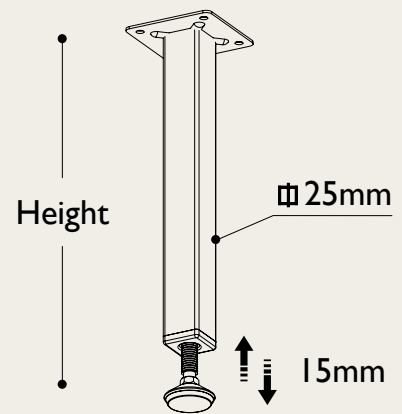
20cm



15cm



10cm



Code	Ø(mm)	H(mm)	Material	pcs	kg
15.125	25	200-215	Steel	50	10.73
15.126	25	150-165	Steel	60	10.67
15.127	25	100-115	Steel	80	11.42

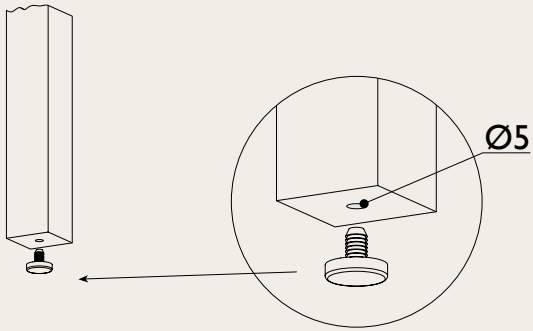
Code. 17.201



Code. 17.200



Colors 01,02,06

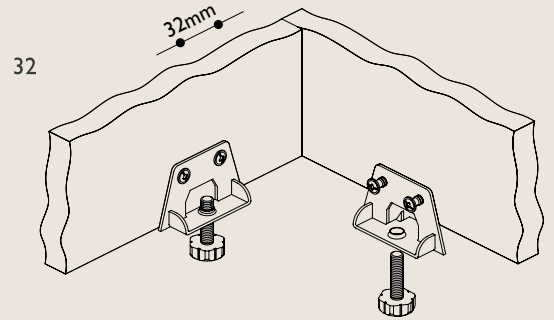


Code	Ø(mm)	Hole(mm)	Material	pcs	kg
17.200	16	5	Plastic	7500	7.20
17.201	20	5	Plastic	5000	7.30

17.206

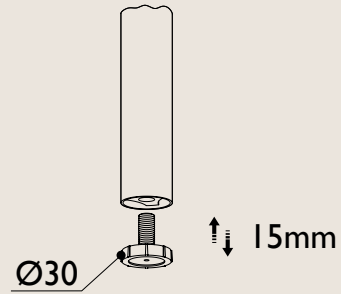


Colors 14



Sizes(mm)	Screw(mm)	Material	pcs	kg
70x40x30	M8	Sheet Iron + Plastic	240	17.00

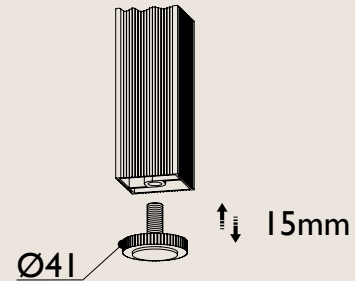
Code. 17.202



Code. 17.203



Code. 17.213



Code. 17.214

Code	Ø(mm)	Screw(mm)	H(mm)	Material	pcs	kg
17.202	30	M10	24	Steel + Plastic	800	24.00
17.203	41	M10	25	Steel + Plastic	800	20.51
17.213	41	M8	25	Steel + Plastic	600	14.00
17.214	50	M10	28	Steel + Plastic	600	21.60

Colors 02



Code : 17.208



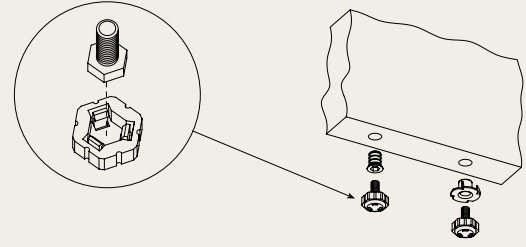
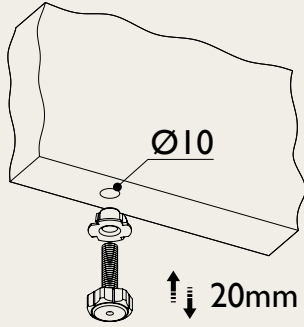
Code : 17.205.S



Code : 17.210.D



Code : 17.210.S



Code	Ø(mm)	Screw(mm)	H(mm)	Material	pcs	kg
17.208	23	M8	38	Steel + Plastic	1500	25.00
17.205.S		M8	10	Steel	5000	25.33
17.210.D	20	M6	27	Plastic + Zamak	2000	20.30
17.210.S	20	M6	27	Steel + Plastic	2000	23.00

Code : 17.209.53M8



304 Stainless Steel Covered
304 Paslanmaz Sivama

Code : 17.209.02M8



Code : 17.209.53M10



304 Stainless Steel Covered
304 Paslanmaz Sivama

Code : 17.209.02M10



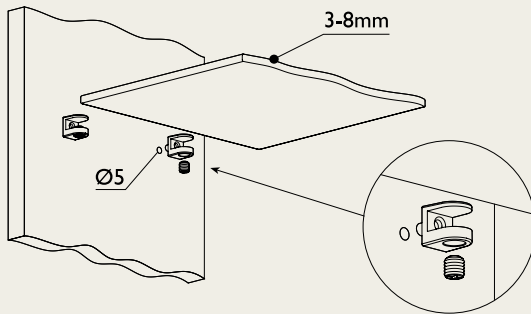
Code	Ø(mm)	Screw(mm)	H(mm)	Material	Socket	pcs	kg
17.209.02M8	32	M8	39	Steel + Plastic	M8 Included	1000	25.65
17.209.53M8	32	M8	39	Plastic + Stainless Steel Covered	M8 Included	1000	29.65
17.209.02M10	32	M10	39	Steel + Plastic	M10 Excluded	1000	22.40
17.209.53M10	32	M10	39	Plastic + Stainless Steel Covered	M10 Excluded	1000	28.40



RAF SİSTEMLERİ SHELF SYSTEMS

19.141

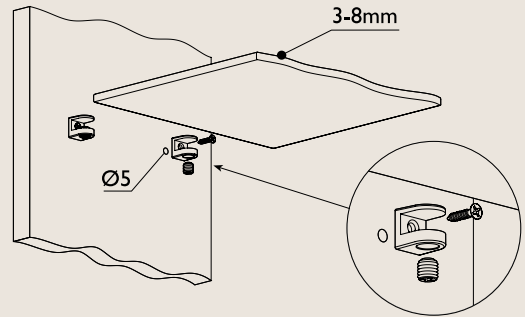
Colors 15



Hole(mm)	Material	pcs	kg
5	Zamak + Plastic	1880	20.70

19.145

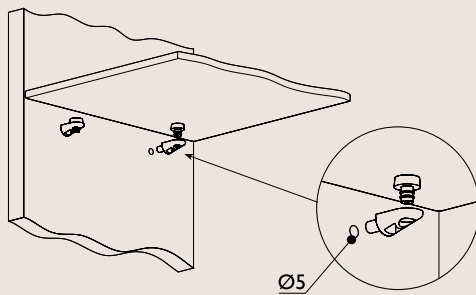
Colors 15



Hole(mm)	Material	pcs	kg
5	Zamak + Plastic	2350	25.20

19.142

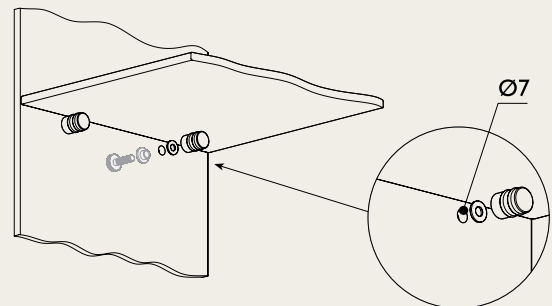
Colors 15



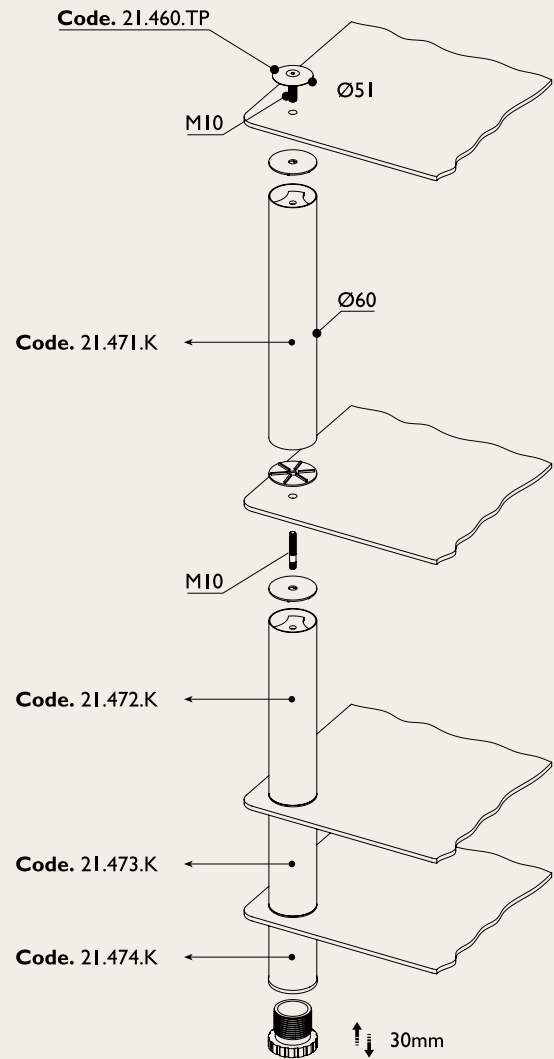
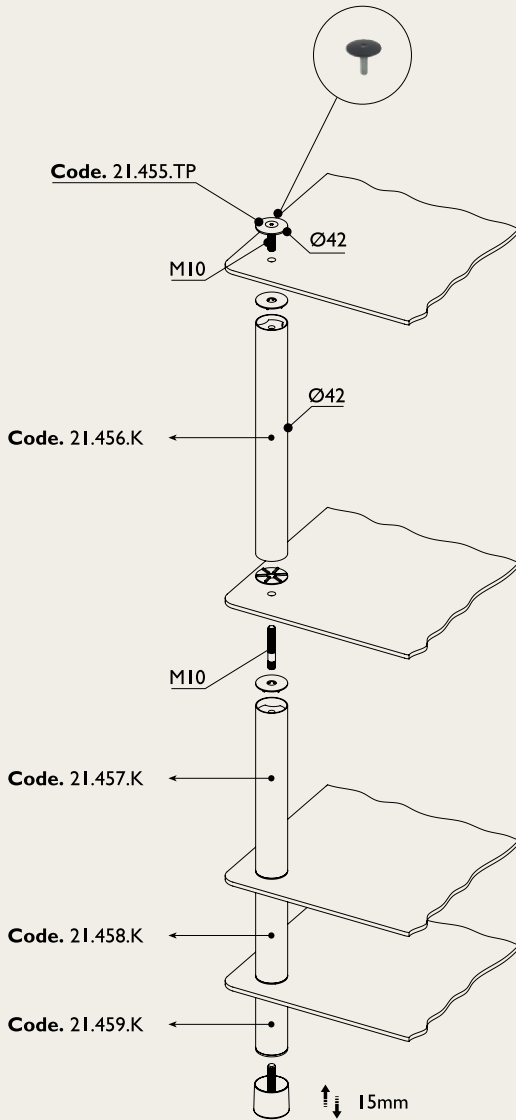
Hole(mm)	Material	pcs	kg
5	Zamak + Plastic	4700	30.30

19.156

Colors 15

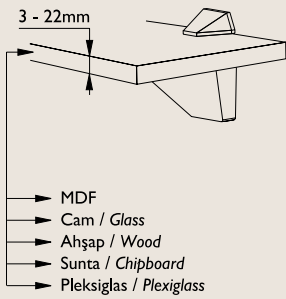
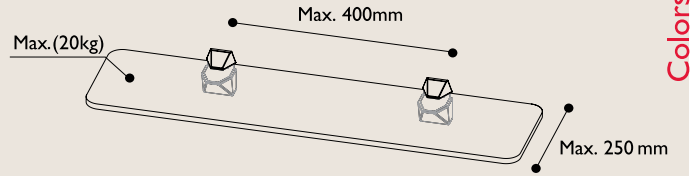
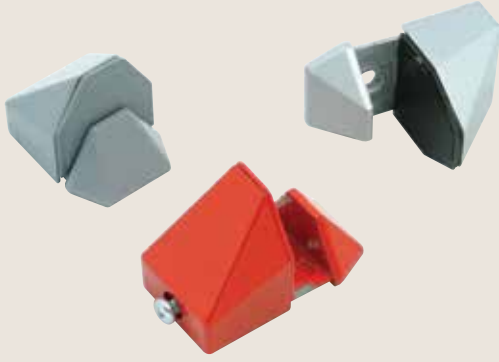


Ø(mm)	Length(mm)	Material	set	kg
13	17	Brass	160	15.00

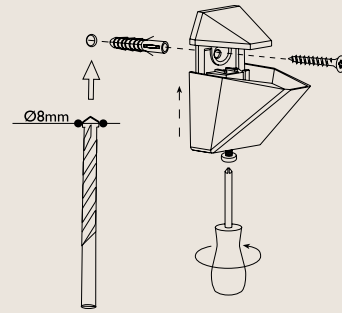


Code	Ø(mm)	Screw(mm)	Length(mm)	Material	pcs	kg
21.456.K	42	M10	350	Steel	26	12.90
21.457.K	42	M10	250	Steel	30	11.20
21.458.K	42	M10	150	Steel	60	15.30
21.459.K	42	M10	100	Steel	90	14.10
21.471.K	60	M10	350	Steel + Plastic	12	8.00
21.472.K	60	M10	250	Steel + Plastic	12	6.40
21.473.K	60	M10	150	Steel + Plastic	25	9.30
21.474.K	60	M10	100	Steel + Plastic	40	9.30

21.126



- MDF
- Cam / Glass
- Ahşap / Wood
- Sunta / Chipboard
- Pleksiglas / Plexiglass



Material



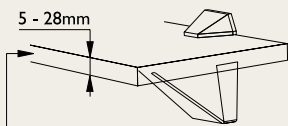
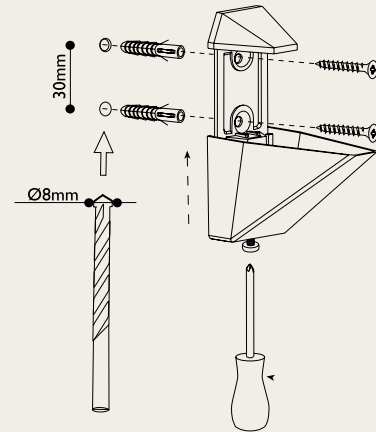
Zamak + Plastic

40

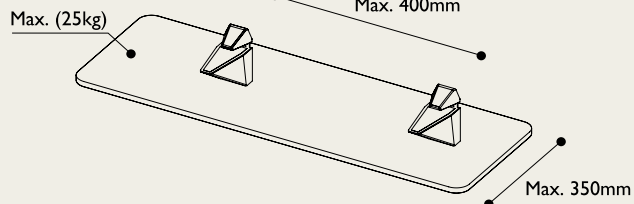
7.70

Colors 01,02,03,06,07,10,18,21,24

21.128



- MDF
- Cam / Glass
- Ahşap / Wood
- Sunta / Chipboard
- Pleksiglas / Plexiglass



Material



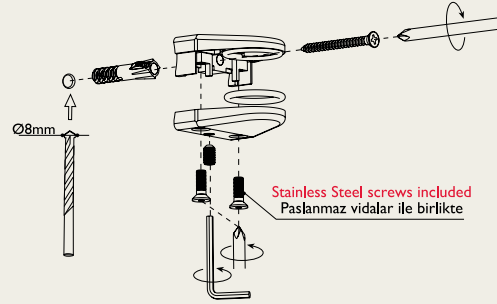
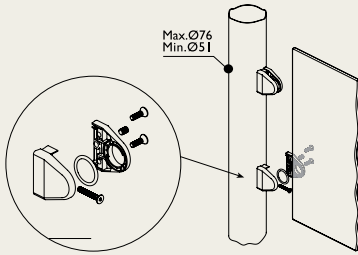
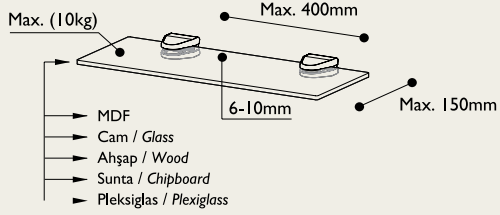
Zamak + Plastic

40

9.00

Colors 01,02,03,06,07,10,18,21,24

21.129



Dimensions(mm)

Material



25x50x50

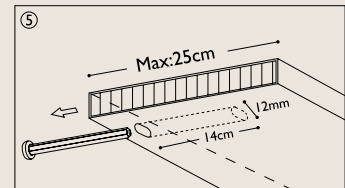
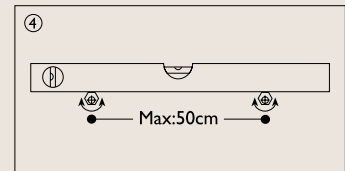
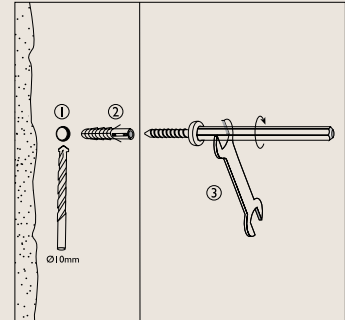
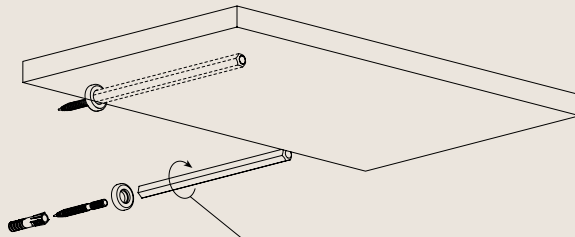
Zamak

50

11.45

Colors 18,21,24

21.148



Code

Ø(mm)

Hole(mm)

Length(mm)

Hole Depth(mm)

Material



21.148

10

12

140

145

Steel

40

10.22

21.148.K

10

12

100

145

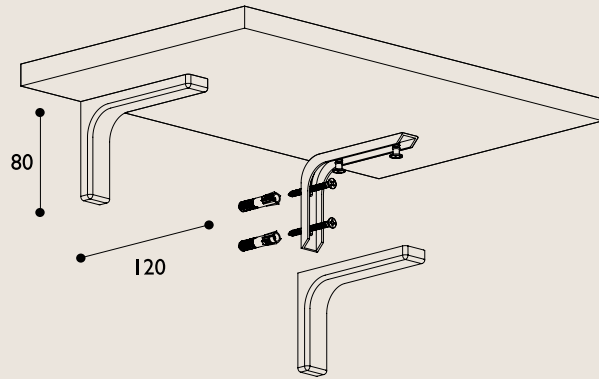
Steel

40

7.50

Colors 14

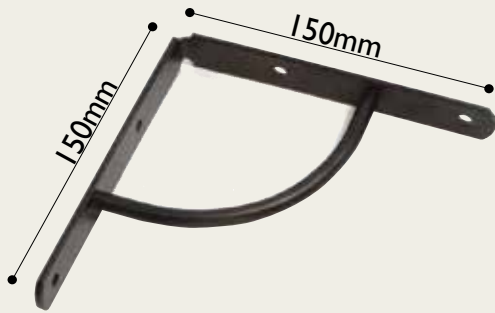
21.120



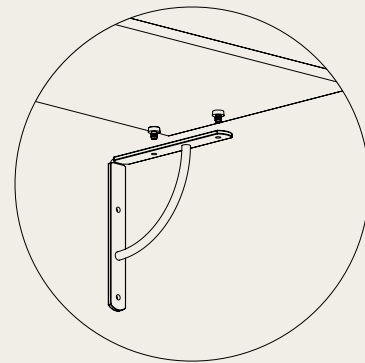
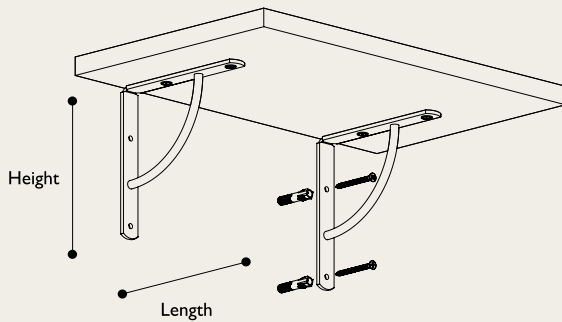
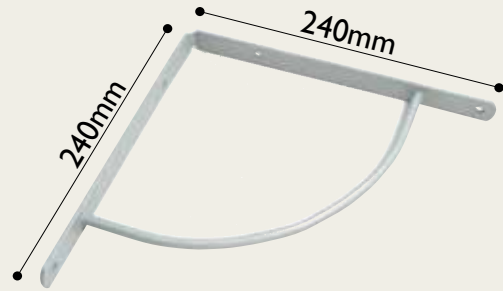
H(mm)	Length(mm)	Material	set	kg
80	120	Steel + Plastic	64	14.15

Colors 01,02,04,06,07

Code : 21.691

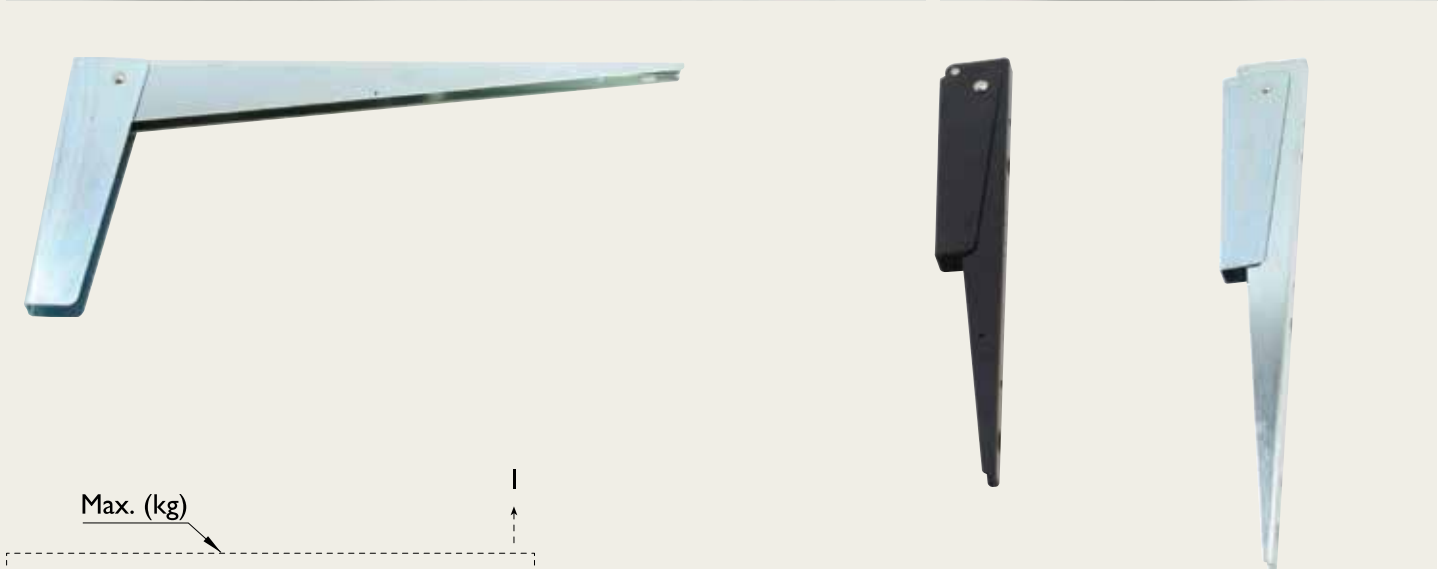


Code : 21.692



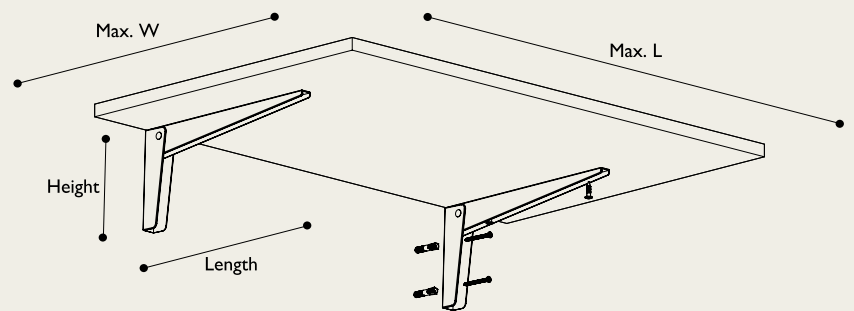
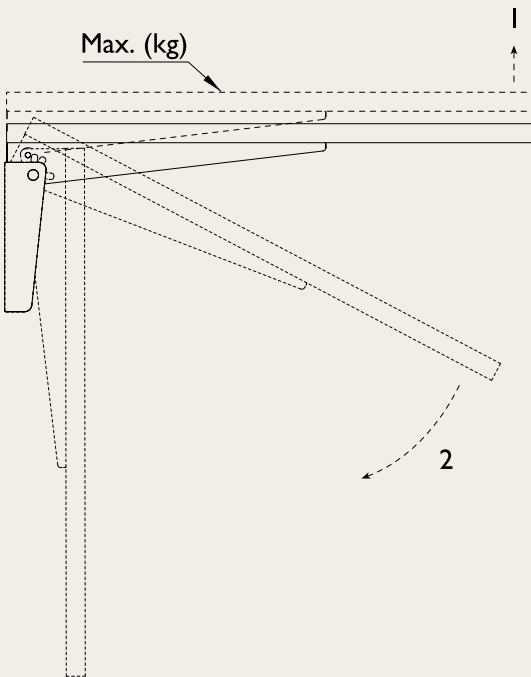
Code	H(mm)	Length(mm)	Max(kg)	Material	pcs	kg
21.691	150	150	30	Steel	100	21.70
21.692	240	240	50	Steel	30	11.35



Colors 01,02,10,18



Code : 21.131

Code : 21.132



Code	Height(mm)	Length(mm)	Max W(mm)	Max L(mm)	Max(kg)	Material		
21.131	140	300	400	800	25	Sheet Iron	32	25.40
21.132	200	450	500	800	30	Sheet Iron	16	23.20



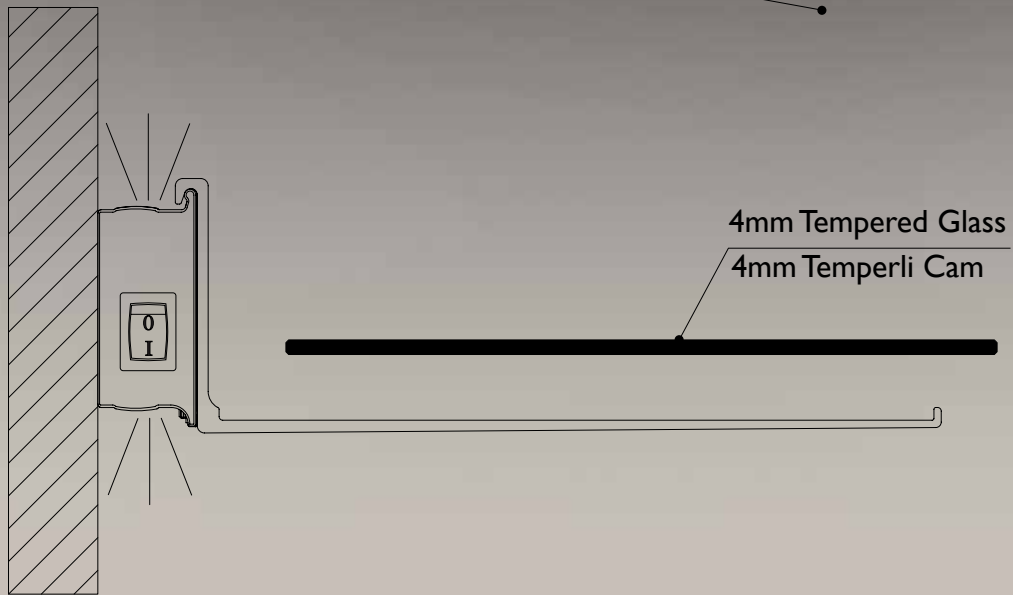
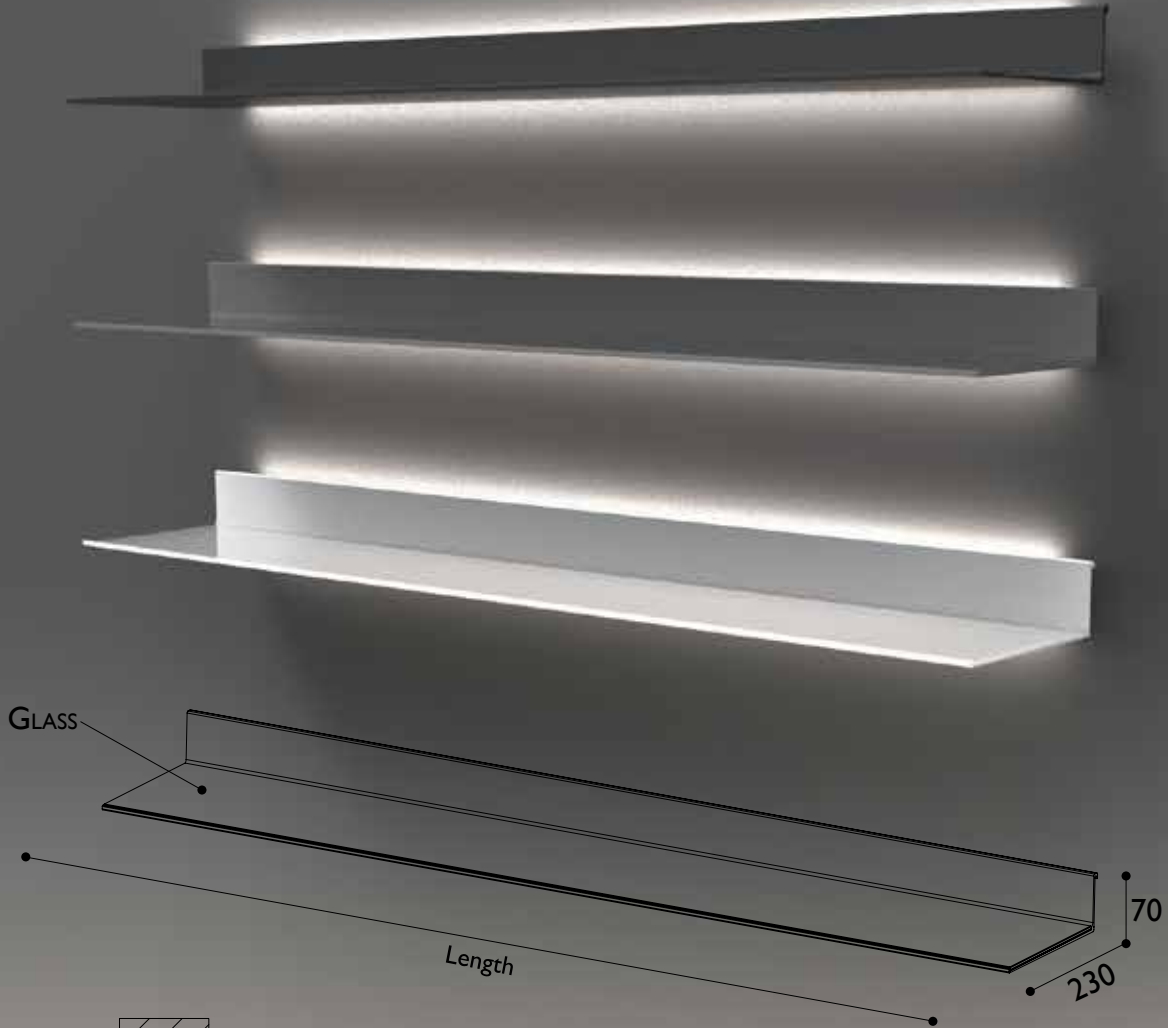
Aluminium Colors 45,46



Anahtarlı / On Off Switch



Code	Length(mm)	Material	Fluorescent Tube	Current	pcs	kg
21.481	400	Aluminium+Glass	T5 / 8W / 4200K	220 V	1	2.40
21.482	600	Aluminium+Glass	T5 / 13W / 4200K	220 V	1	3.40
21.483	900	Aluminium+Glass	T5 / 21W / 4200K	220 V	1	5.00
21.484	1200	Aluminium+Glass	T5 / 28W / 4200K	220 V	1	6.55



Code	Length(mm)	Material	pcs	kg
21.282	600	Aluminum + Glass	1	3.30
21.283	900	Aluminum + Glass	1	5.00
21.284	1200	Aluminum + Glass	1	6.50



ISLAK HACİM ELEMANLARI

CUBICLE SYSTEMS

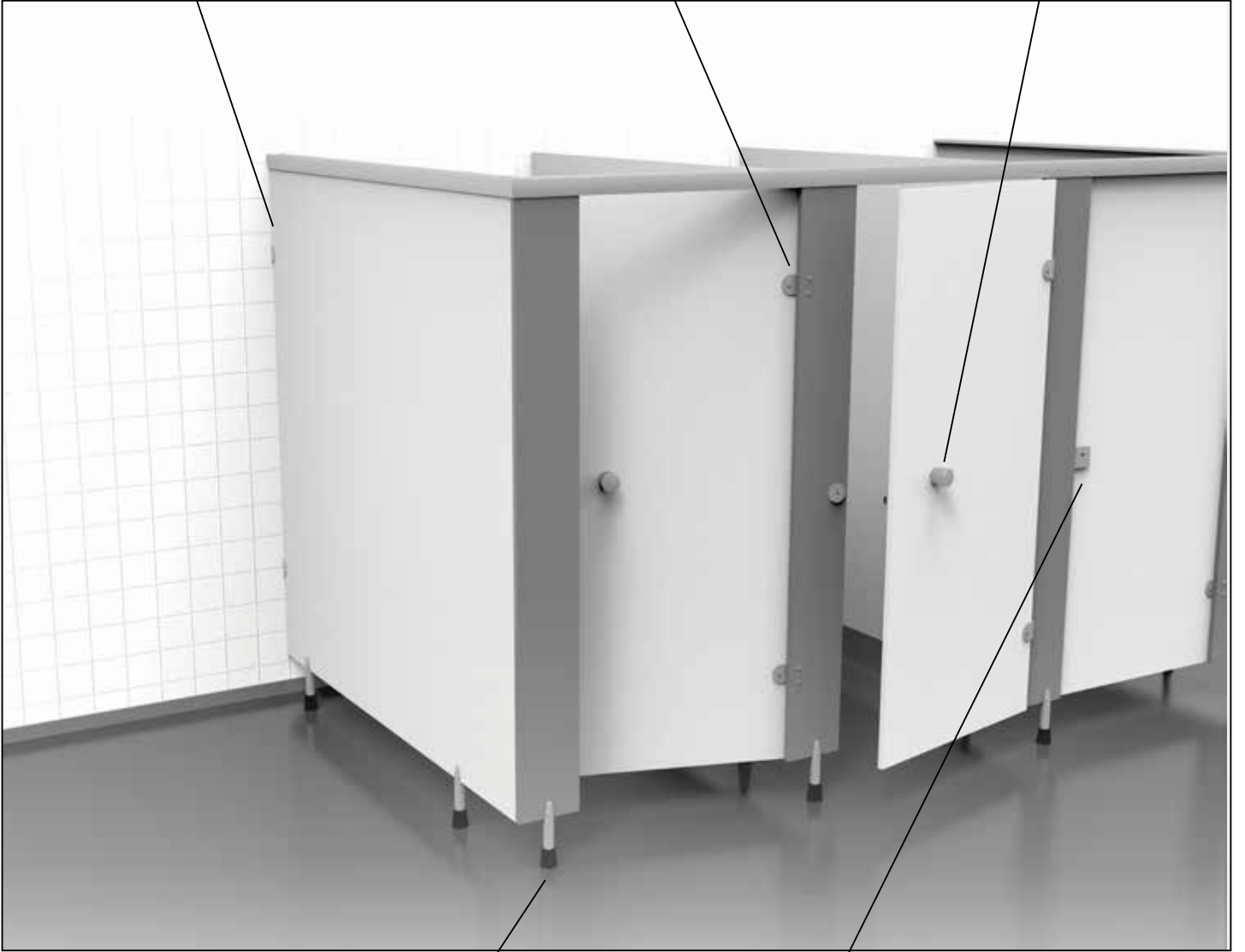
Code : 25.652
Code : 25.653



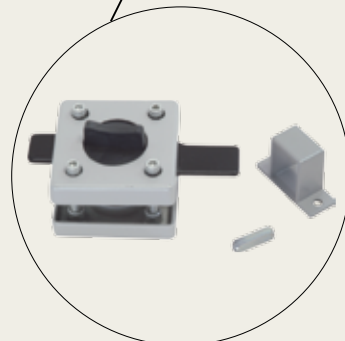
Code : 25.655
Code : 25.656



Code : 25.658



Code : 25.661

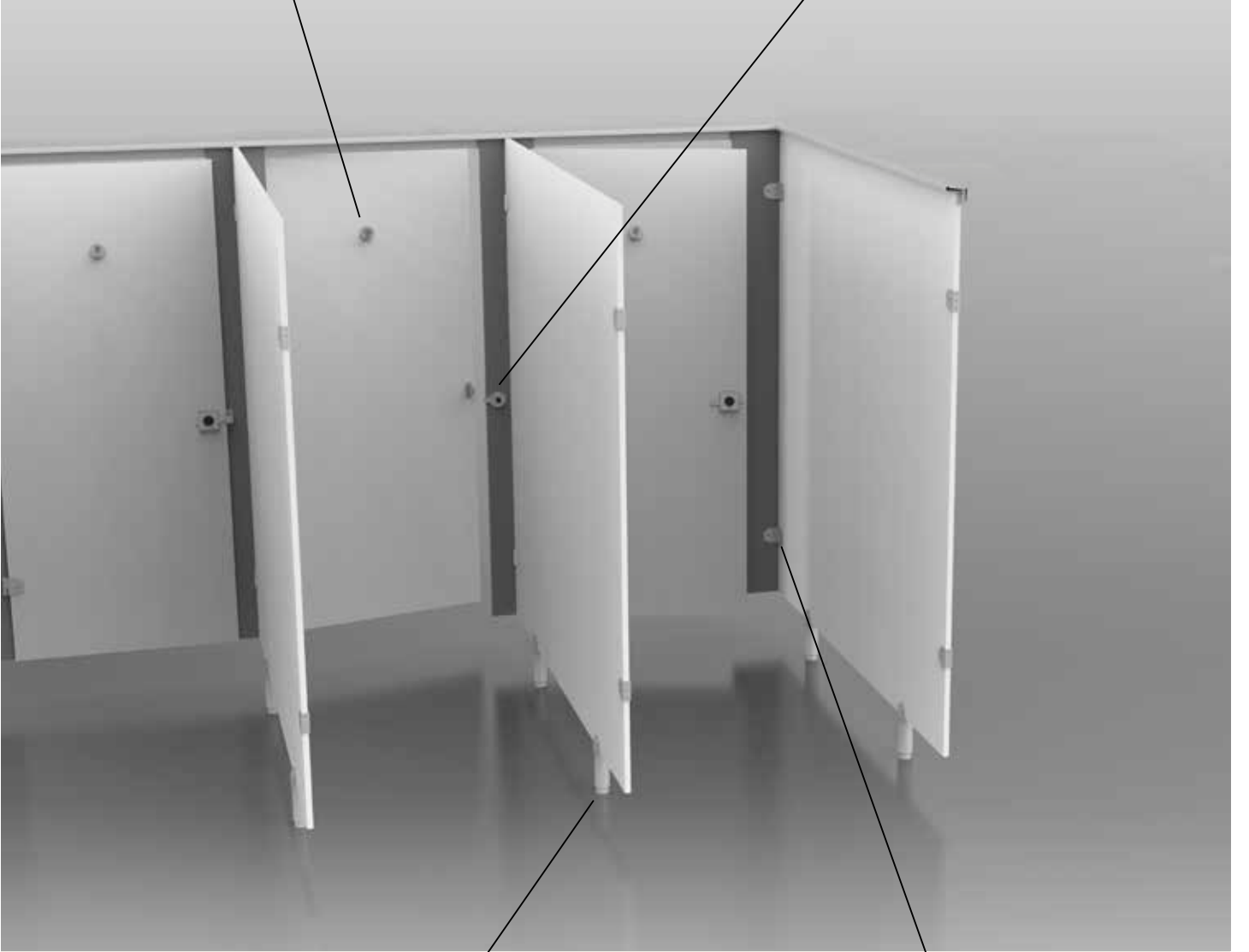
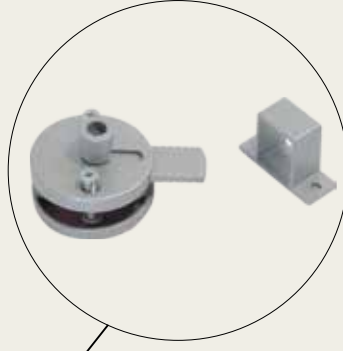


Code : 25.657

Code : 23.110.T



Code : 25.660.12
Code : 25.660.18



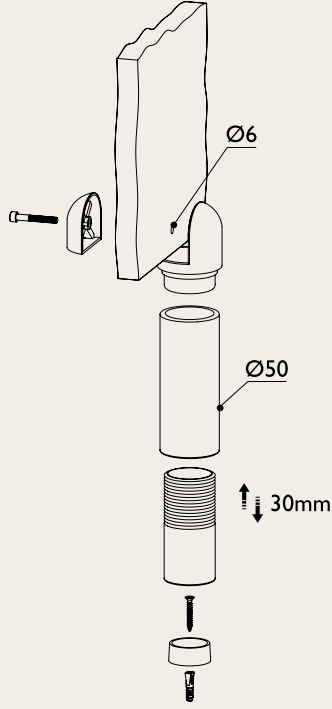
Code : 25.651



Code : 25.654

25.651

Colors 10



H(mm)

Material



150-180

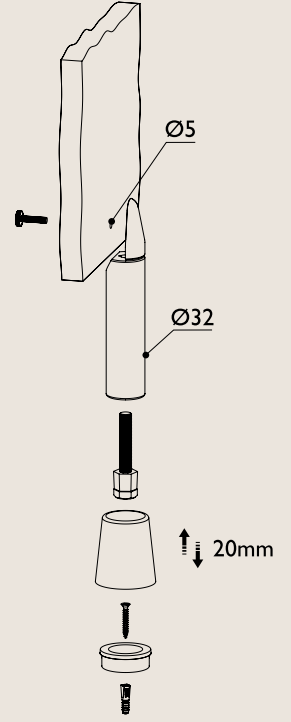
Zamak + Aluminium

30

16.60

25.661

Colors 10.18



H(mm)

Material



150-170

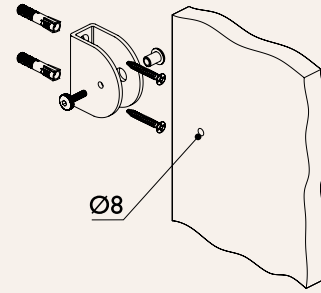
Zamak + Plastic

30

11.90



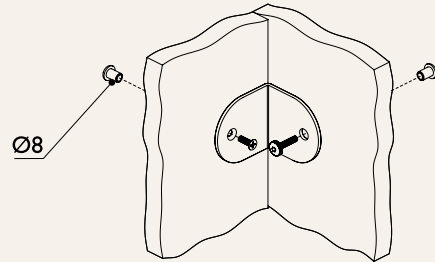
Code : 25.652 - 25.653



Thickness



Code : 25.654

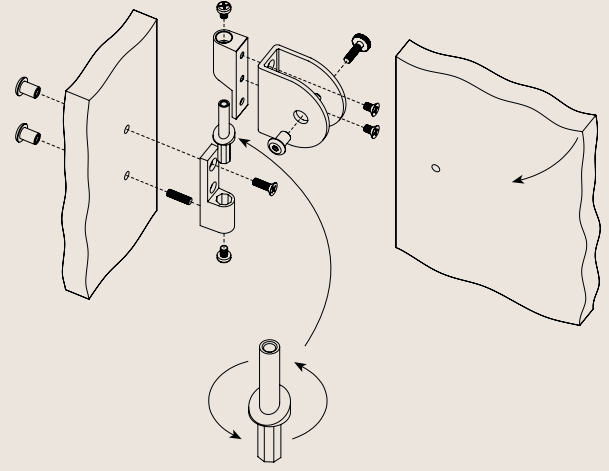
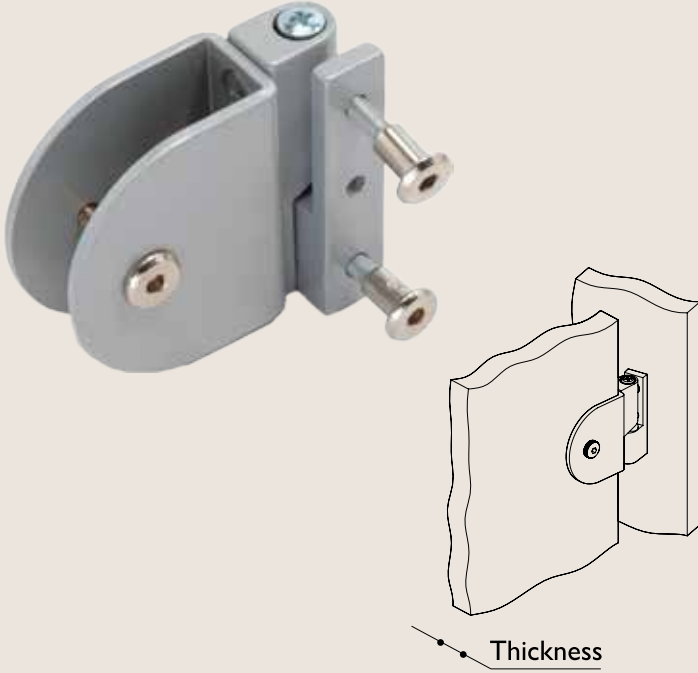


Colors 10.47

Code	Thickness (mm)	Size (mm)	Material	pcs	kg
25.652	18	30x64	Aluminium	240	17.60
25.653	13	25x64	Aluminium	240	17.35
25.654	-	61x64	Aluminium	232	17.85

25.655

25.656

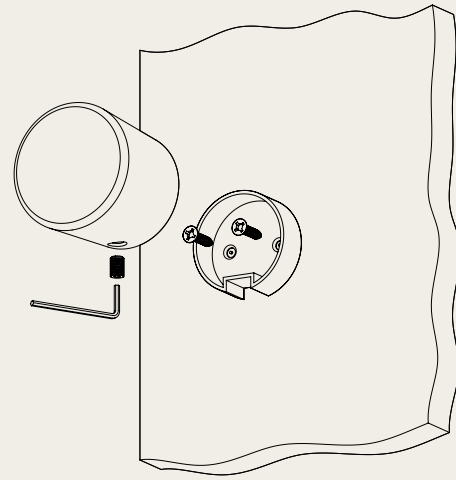


Adjustable for right and left applications
Sağ ve sola açılma özelliği

Code	Thickness(mm)	Size(mm)	Material	pcs	kg
25.655	18	30x92	Zamak + Aluminium	114	25.00
25.656	13	25x92	Zamak + Aluminium	114	25.43

Colors 10.18

25.658



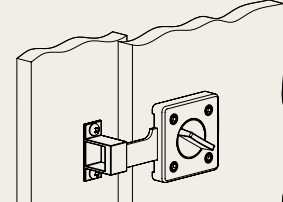
Size(mm)	Material	pcs	kg
Ø50x52	Zamak	120	28.27

Colors 10.18

25.657

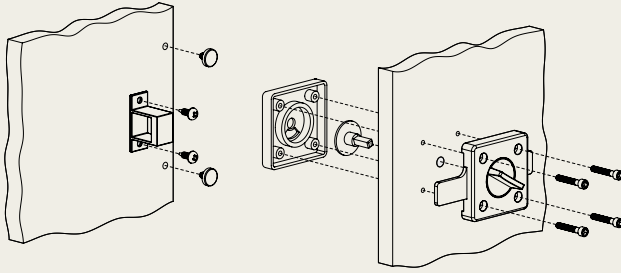


Frame
Kasa

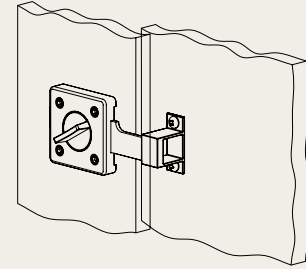


Door
Kapı

Open inside
İçe açılır



Frame
Kasa



Door
Kapı

Open outside
Dışa açılır

Additional part included for 18mm panels
18mm paneller için ilave ek parça dahildir

Size(mm)

Material



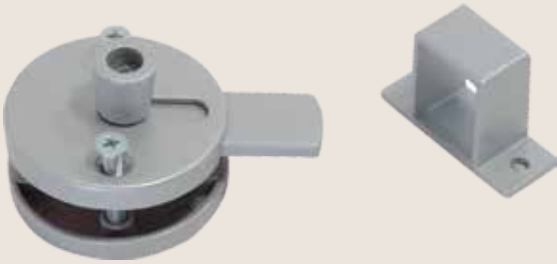
70x120

Zamak + Plastik

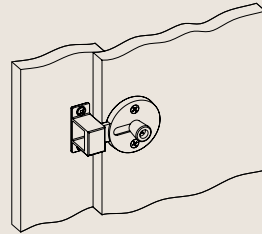
36

17.43

25.660.12
25.660.18

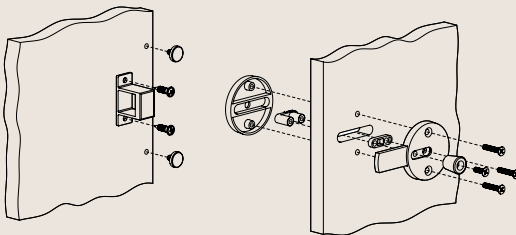


Frame
Kasa



Door
Kapı

Open inside
İçe açılır



Frame
Kasa



Door
Kapı

Open outside
Dışa açılır

Code

Size(mm)

Material



25.660.12

104x60

Zamak + Plastik

75

18.90

25.660.18

104x60

Zamak + Plastik

75

19.47

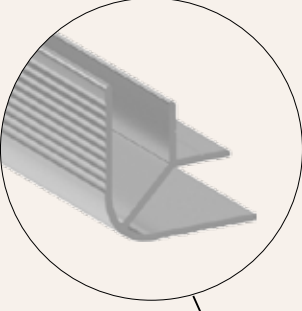
Aluminyum Seri / Aluminum Series



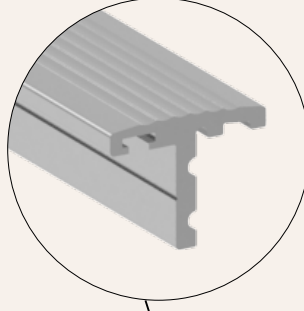
304 Paslanmaz Seri / 304 Stainless Steel Series



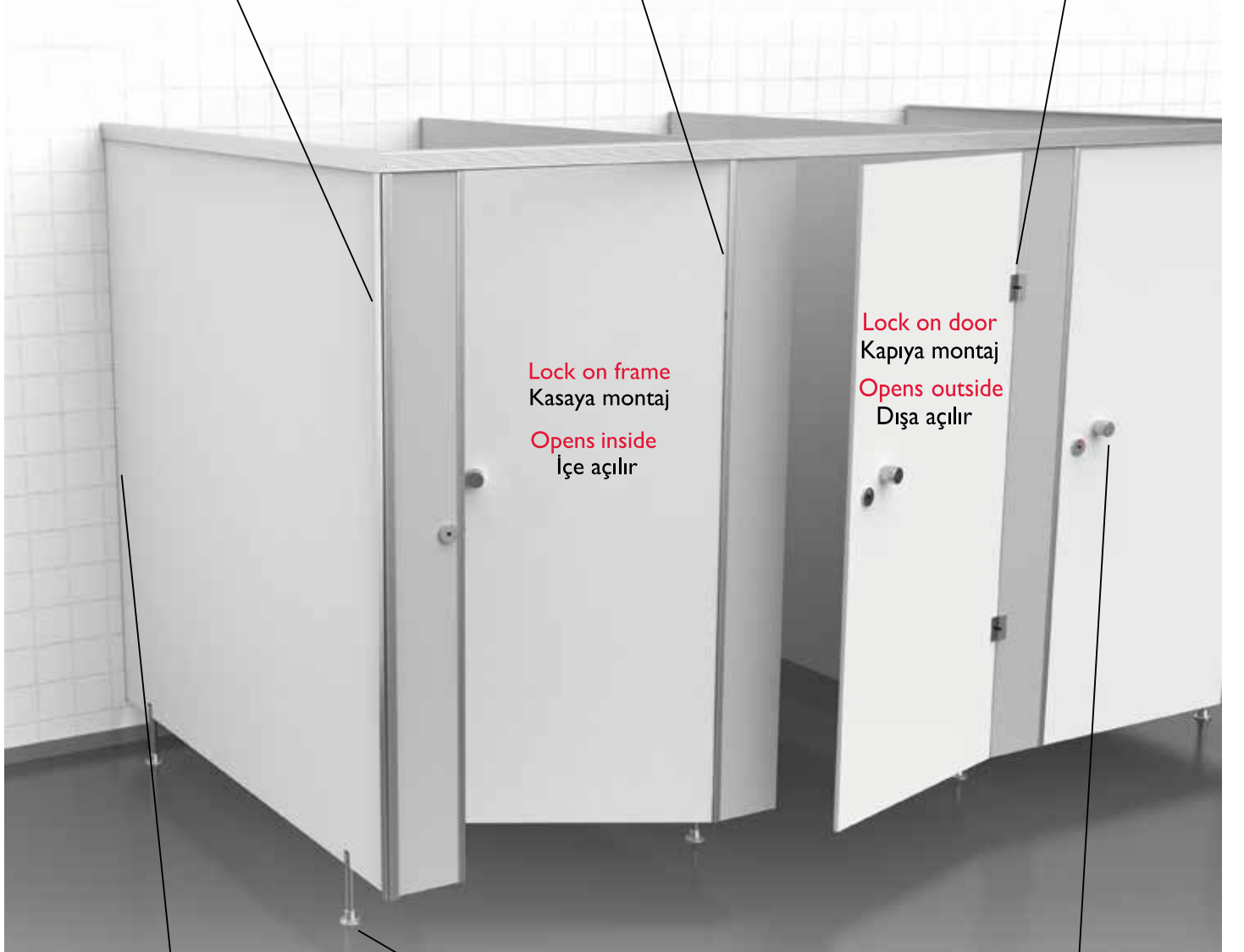
Code : 25.634



Code : 25.645



Code : 25.636L
Code : 25.636R

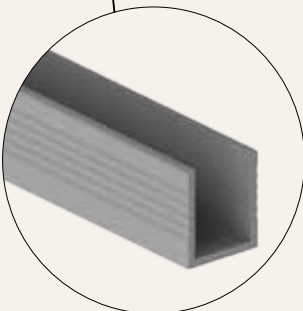


Lock on frame
Kasaya montaj

Opens inside
İçe açılır

Lock on door
Kapıya montaj

Opens outside
Dışa açılır



Code : 25.633



Code : 25.631

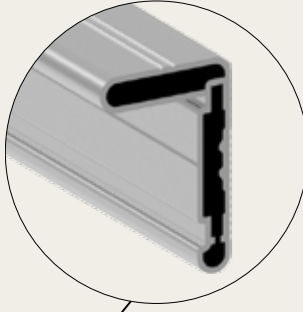


Code : 25.638

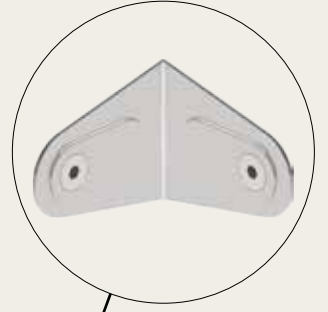
Code : 25.642



Code : 25.649



Code : 25.644



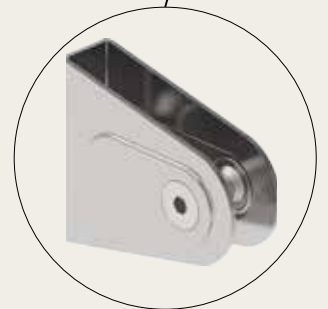
Code : 25.646L
Code : 25.646R



Code : 25.635



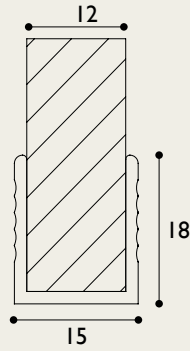
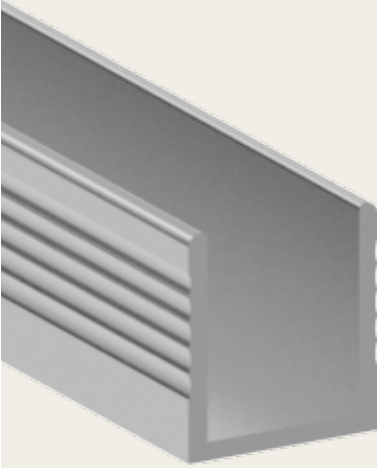
Code : 25.641



Code : 25.643

25.633

Colors 49



Size(mm)

Material



3700

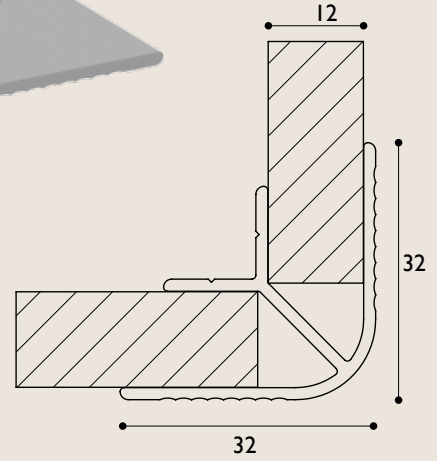
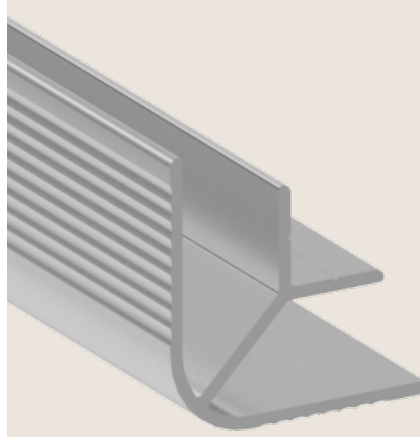
Aluminium

1

0.69

25.634

Colors 49



Size(mm)

Material



3700

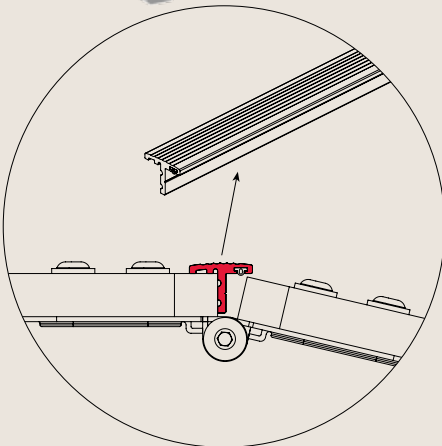
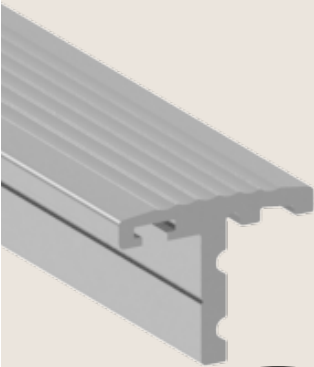
Aluminium

1

1.34

25.645

Colors 49



Size(mm)

Length(mm)

Material



19x15

3700

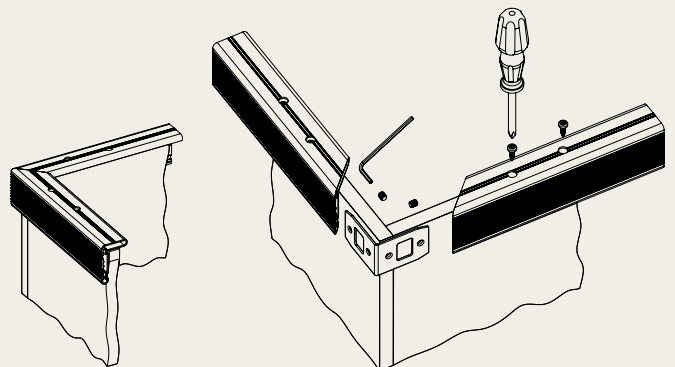
Aluminium

1

0.93

25.649

Colors 45. 49



Size(mm)

Material



3700

Aluminium

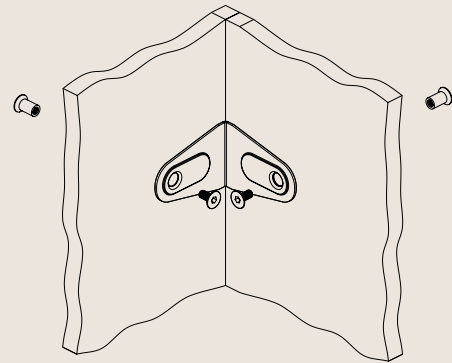
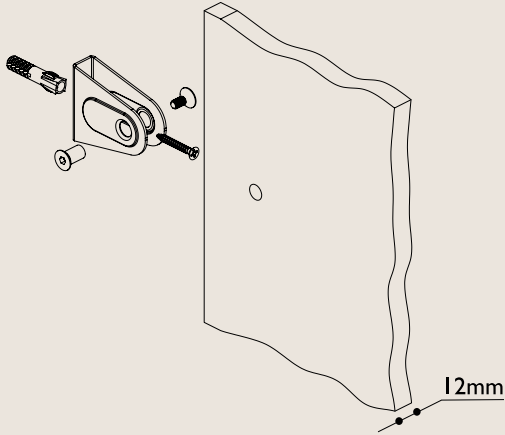
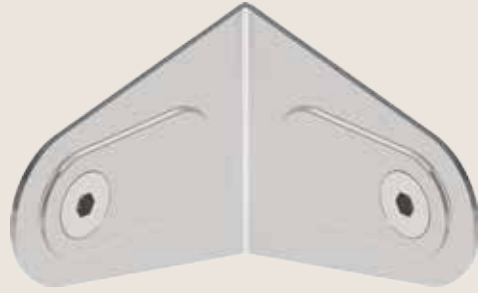
1

2.44

Code : 25.643



Code : 25.644



304

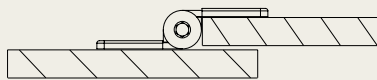
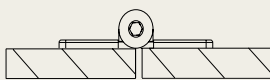
Stainless Steel

Code	Size(mm)	Material	pcs	kg
25.643	58x48	Stainless Steel	384	26.04
25.644	65x48	Stainless Steel	288	19.88

Code : 25.635



Code : 25.635.B



Unlocked Position
Açık Pozisyon




Locked Position
Kilitli Pozisyon

304


Stainless Steel

Code	Size(mm)	Material	pcs	kg
25.635	60x36	Stainless Steel	72	9.20
25.635.B	60x36	Stainless Steel	72	9.06


Code : 25.630

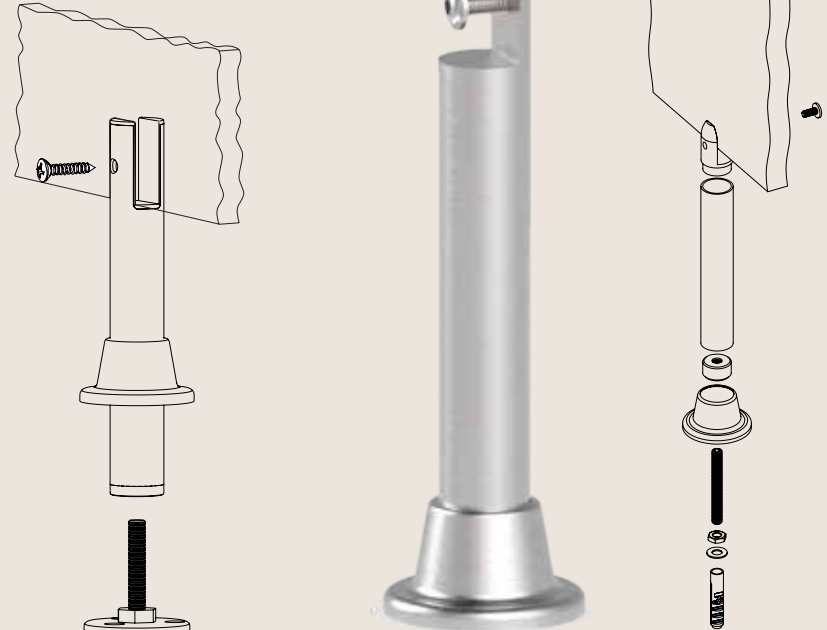


Code : 25.631



Code : 25.641






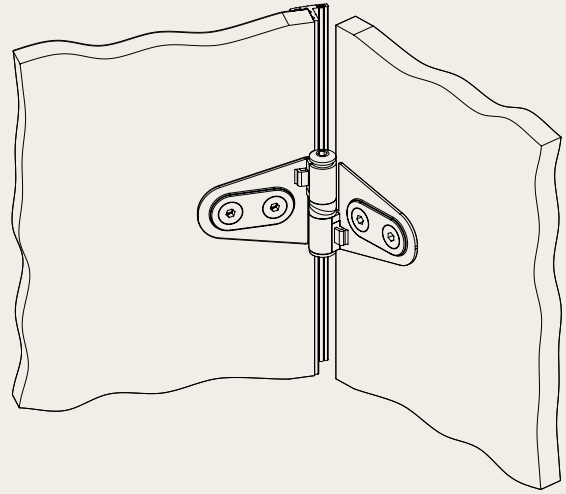
Colors 51

	Code	H(mm)	Material	pcs	kg
<div style="background-color: red; color: white; border-radius: 50%; padding: 5px; display: inline-block;"> 304 Stainless Steel </div>	25.630	100	Stainless Steel	32	5.55
	25.631	150	Stainless Steel	32	5.85
	25.641	150	Stainless Steel	32	9.66

25.646.L
25.646.R

304
Stainless Steel



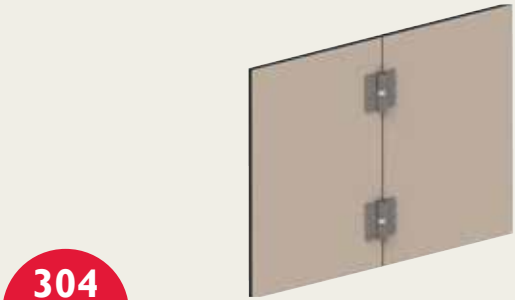
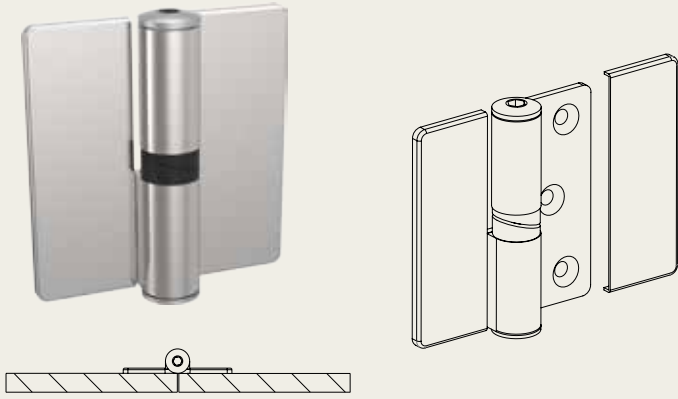


Colors 51

Size(mm)	Material	pcs	kg
124x57	Stainless Steel	240	27.90

25.636.L
25.636.R

Colors 51

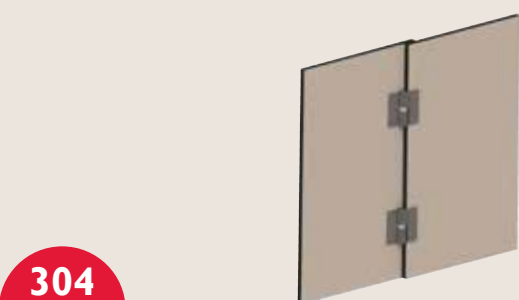
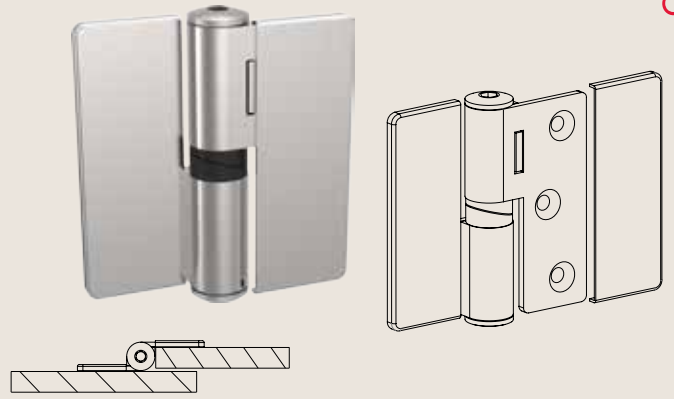


304
Stainless Steel

Size(mm)	Material	pcs	kg
70x72	Stainless Steel	192	36.04

25.637.L
25.637.R

Colors 51

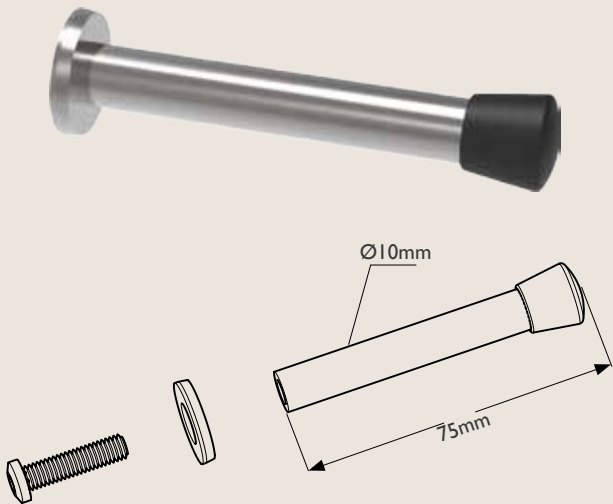


304
Stainless Steel

Size(mm)	Material	pcs	kg
70x72	Stainless Steel	192	36.31

25.642

Colors 51

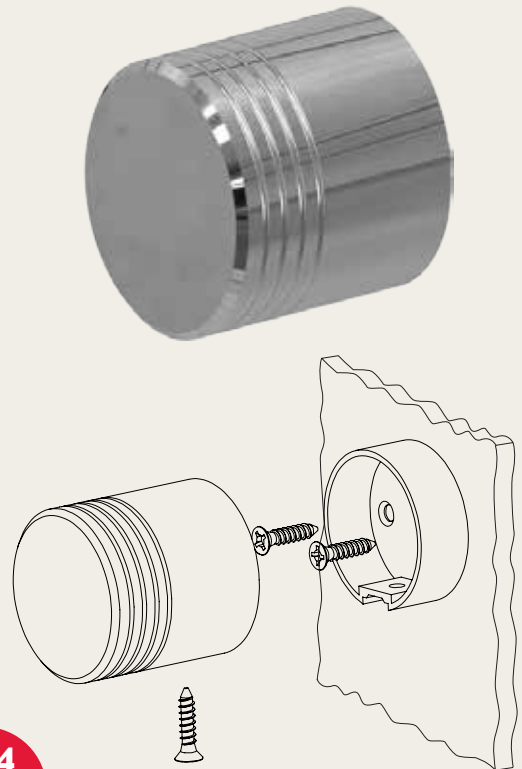


304
Stainless Steel

Size(mm)	Material	pcs	kg
Ø10mmx75mm	Stainless Steel	600	34.42

25.638.T

Colors 51



304
Stainless Steel

Size(mm)	Material	pcs	kg
124x57	Stainless Steel	120	16.43





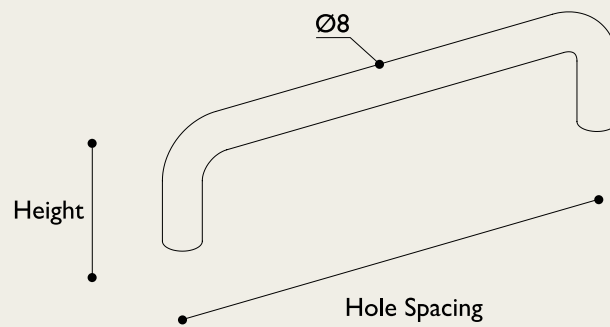
KULPLAR
HANDLES



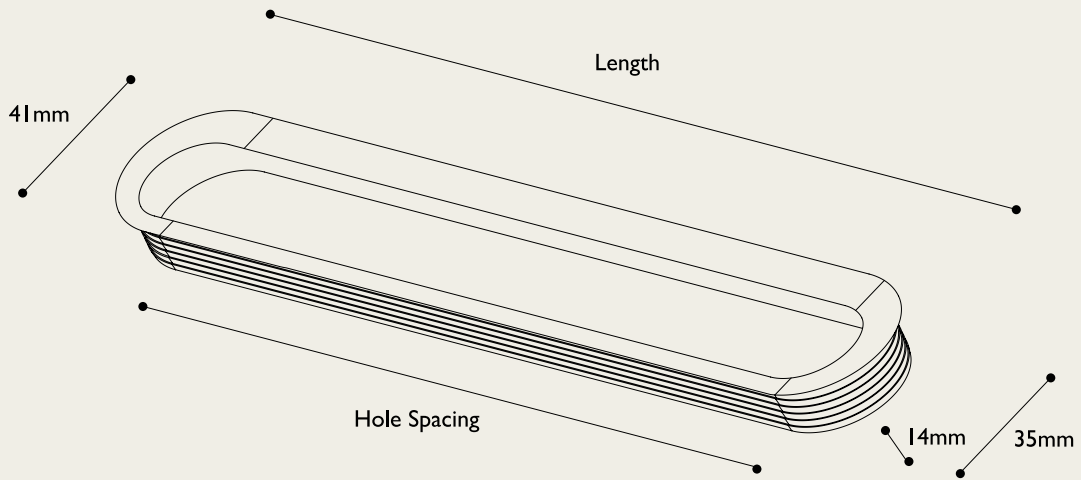
31.005



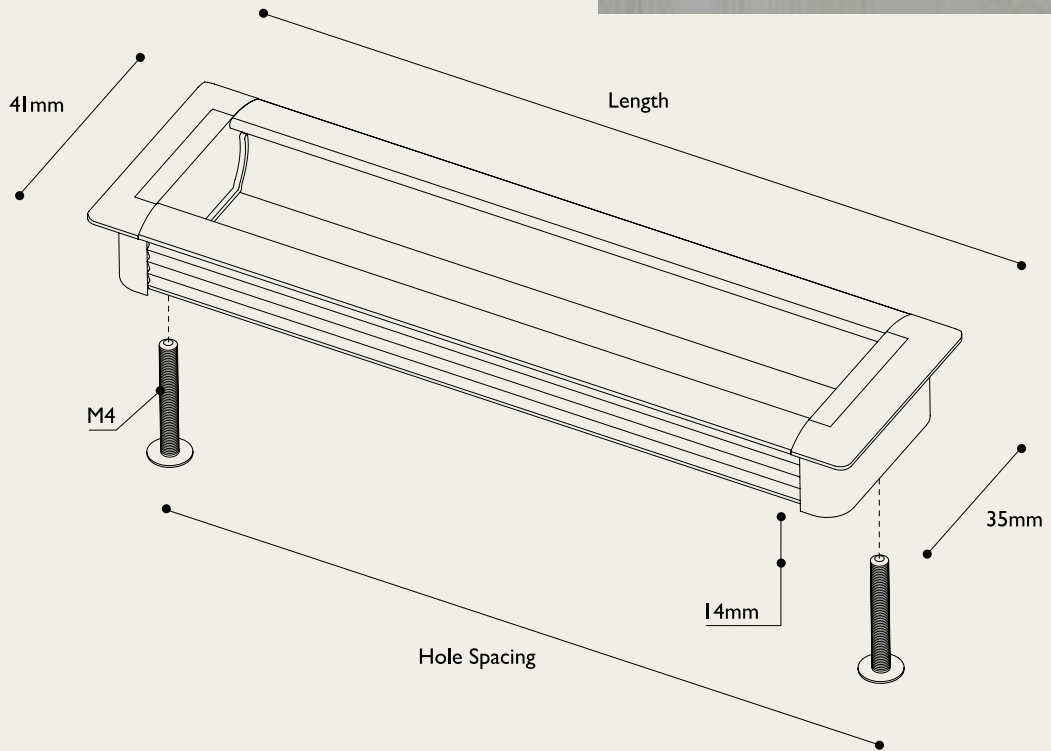
31.004





Code	H(mm)	Hole Spacing(mm)	Material	PCS	kg
31.004	32	64	Zamak	240	10.25
31.005	32	96	Zamak	240	13.58

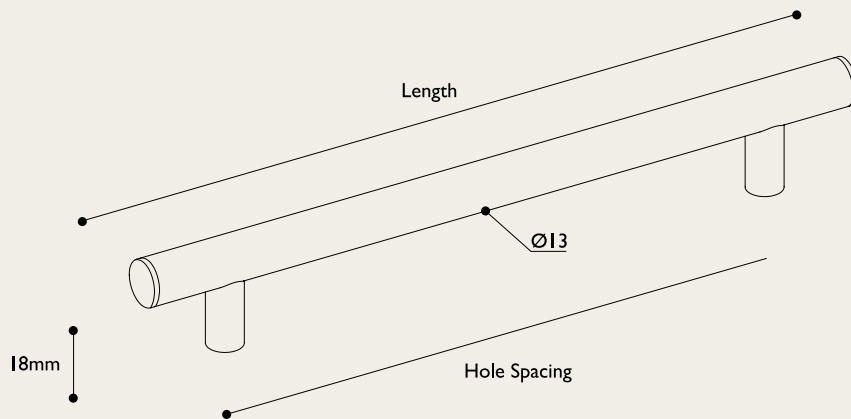
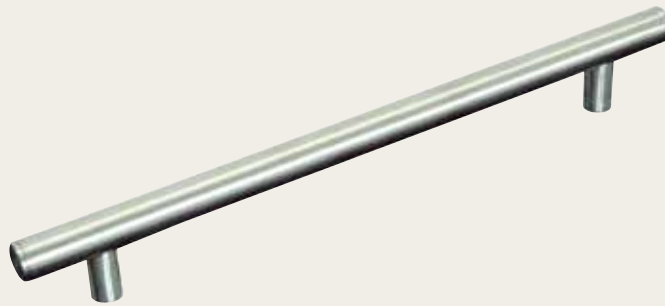



Code	Length(mm)	Hole Spacing (mm)	Material	pcs	kg
30.072	106	64	Aluminium + Plastic End	20	0.67
30.073	138	96	Aluminium + Plastic End	20	0.88
30.074	170	128	Aluminium + Plastic End	20	1.08
30.075	202	160	Aluminium + Plastic End	20	1.33
30.076	234	192	Aluminium + Plastic End	20	1.54
30.077	266	224	Aluminium + Plastic End	20	1.74
30.078	298	256	Aluminium + Plastic End	20	1.97
30.079	330	288	Aluminium + Plastic End	20	2.18
30.080	362	320	Aluminium + Plastic End	20	2.38
30.081	394	352	Aluminium + Plastic End	20	2.66
30.082	426	384	Aluminium + Plastic End	20	2.87
30.083	458	416	Aluminium + Plastic End	20	3.08
30.084	490	448	Aluminium + Plastic End	20	3.35
30.085	522	480	Aluminium + Plastic End	20	3.55
30.086	554	512	Aluminium + Plastic End	20	3.76

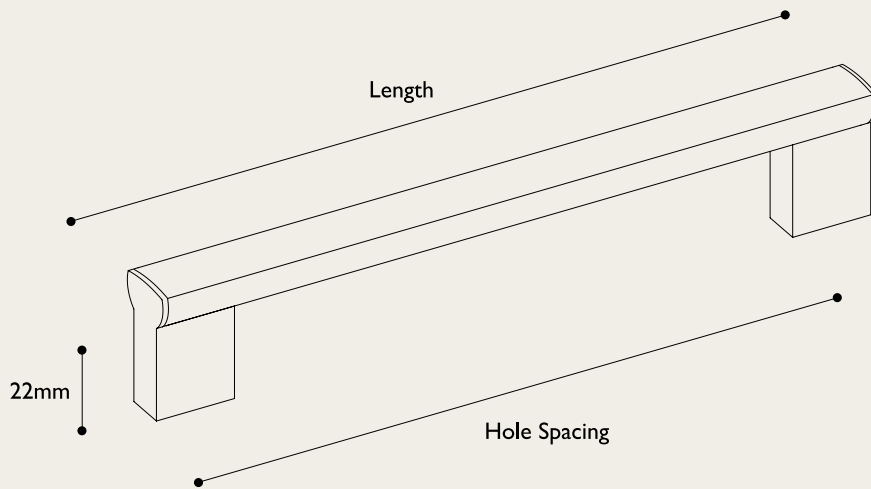


Code	Length(mm)	Hole Spacing (mm)	Material	 pcs	 kg
30.100	78	64	Aluminium + Zamak End	32	2.025
30.101	110	96	Aluminium + Zamak End	24	1.740
30.102	142	128	Aluminium + Zamak End	20	1.685
30.103	174	160	Aluminium + Zamak End	16	1.555
30.104	206	192	Aluminium + Zamak End	16	1.740
30.105	238	224	Aluminium + Zamak End	16	1.895
30.106	270	256	Aluminium + Zamak End	16	2.075
30.107	302	288	Aluminium + Zamak End	16	2.230
30.108	334	320	Aluminium + Zamak End	16	2.420
30.109	366	352	Aluminium + Zamak End	16	2.610
30.110	398	384	Aluminium + Zamak End	16	2.810
30.111	430	416	Aluminium + Zamak End	16	2.900
30.112	462	448	Aluminium + Zamak End	16	3.195
30.113	494	480	Aluminium + Zamak End	16	3.290
30.114	526	512	Aluminium + Zamak End	16	3.515

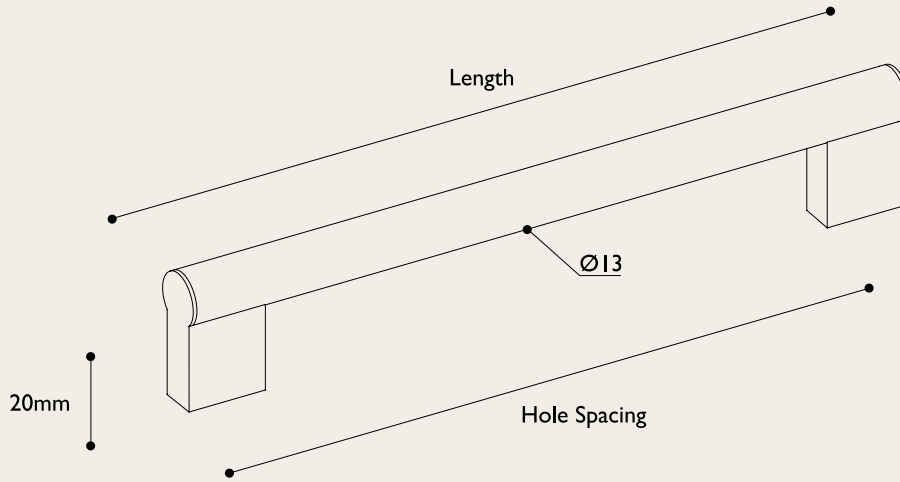
304
Stainless
Steel



Code	Length(mm)	Hole Spacing(mm)	Material	 pcs	 kg
31.800	114	64	Stainless Steel	40	2.35
31.801	146	96	Stainless Steel	40	2.75
31.802	178	128	Stainless Steel	40	3.23
31.803	210	160	Stainless Steel	40	3.43
31.804	242	192	Stainless Steel	40	3.91
31.805	274	224	Stainless Steel	40	4.39
31.806	306	256	Stainless Steel	40	4.74
31.807	338	288	Stainless Steel	40	5.14
31.808	370	320	Stainless Steel	40	5.54
31.809	402	352	Stainless Steel	40	5.78
31.810	434	384	Stainless Steel	40	6.25
31.811	466	416	Stainless Steel	40	6.65
31.812	498	448	Stainless Steel	40	7.10
31.813	530	480	Stainless Steel	40	7.50
31.814	562	512	Stainless Steel	40	7.90

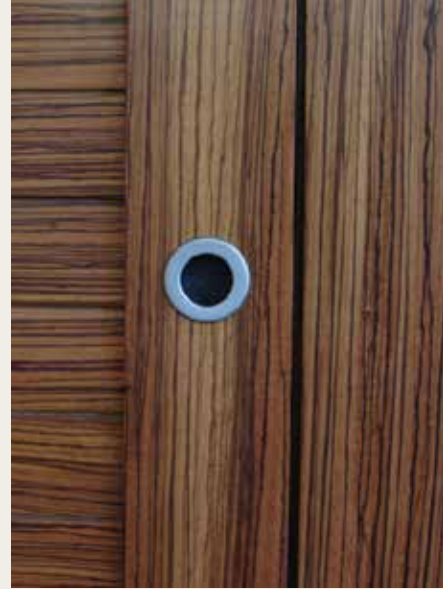
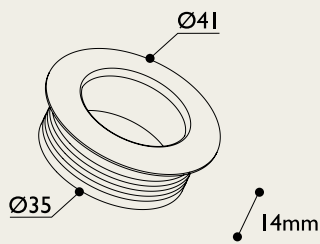


Code	Length(mm)	Hole Spacing (mm)	Material	 pcs	 kg
31.880	87	64	Aluminium + Zamak End	20	1.35
31.881	119	96	Aluminium + Zamak End	20	1.45
31.882	151	128	Aluminium + Zamak End	20	1.65
31.883	183	160	Aluminium + Zamak End	20	1.80
31.884	215	192	Aluminium + Zamak End	20	1.90
31.885	247	224	Aluminium + Zamak End	20	2.10
31.886	279	256	Aluminium + Zamak End	20	2.25
31.887	311	288	Aluminium + Zamak End	20	2.35
31.888	343	320	Aluminium + Zamak End	20	2.50
31.889	375	352	Aluminium + Zamak End	20	2.75
31.890	407	384	Aluminium + Zamak End	20	2.85
31.891	439	416	Aluminium + Zamak End	20	3.00
31.892	471	448	Aluminium + Zamak End	20	3.20
31.893	503	480	Aluminium + Zamak End	20	3.35
31.894	535	512	Aluminium + Zamak End	20	3.55



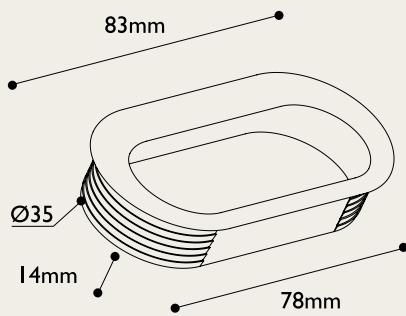
Code	Length(mm)	Hole Spacing(mm)	Material	pcs	kg
31.920	87	64	Aluminium + Plastic End	24	0.83
31.921	119	96	Aluminium + Plastic End	24	0.98
31.922	151	128	Aluminium + Plastic End	24	1.12
31.923	183	160	Aluminium + Plastic End	24	1.30
31.924	215	192	Aluminium + Plastic End	24	1.49
31.925	247	224	Aluminium + Plastic End	24	1.55
31.926	279	256	Aluminium + Plastic End	24	1.71
31.927	311	288	Aluminium + Plastic End	24	1.81
31.928	343	320	Aluminium + Plastic End	24	1.90
31.929	375	352	Aluminium + Plastic End	24	2.17
31.930	407	384	Aluminium + Plastic End	24	2.36
31.931	439	416	Aluminium + Plastic End	24	2.45
31.932	471	448	Aluminium + Plastic End	24	2.71
31.933	503	480	Aluminium + Plastic End	24	2.81
31.934	535	512	Aluminium + Plastic End	24	3.00

Code. 30.070



Colors 01,02,03,04,06,07,16,18,21,24

Code. 30.071



Code	Length(mm)	Hole(mm)	Material	PCS	kg
30.070	41	35	Plastic	480	5.30
30.071	-	Ø35x78	Plastic	240	4.90



ASKILAR
HANGERS

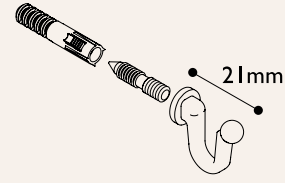
PORTMANTOLAR
COAT RACKS

ÇESITLİ ÜRÜNLER
MISCELLANEOUS

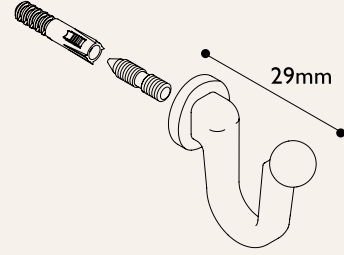




23.105



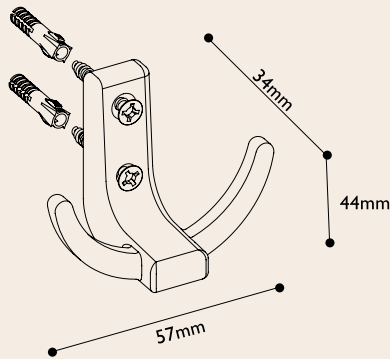
23.106



Code	Screw (mm)	Material	set	kg
23.105	M4	Zamak	160	6.30
23.106	M4	Zamak	160	9.00

Colors 01,02,10,18,21,24

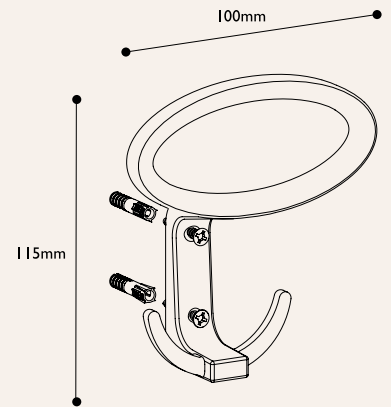
23.111



Colors 01,02,10,18,21,24

Material	pcs	kg
Zamak	400	22.30

23.112

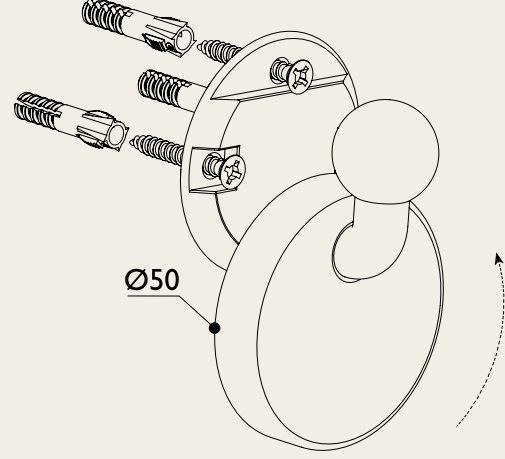


Colors 01,02,10,18,21,24

Material	pcs	kg
Zamak	80	10.95

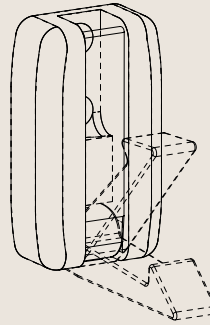
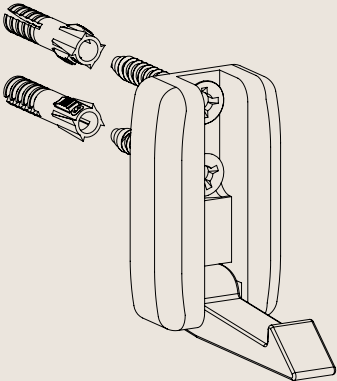


Code : 23.110.T



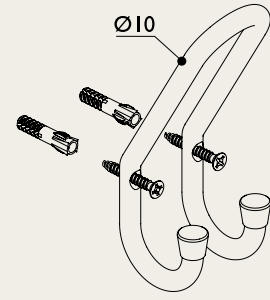
Code	Ø(mm)	Material	pcs	kg
23.110	50	Nylon	200	5.50
23.110.T	50	Nylon	200	6.30

23.133

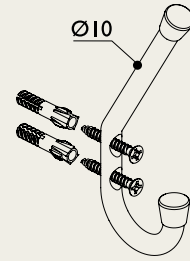


Size(mm)	Material	set	kg
134x66	Steel Tube	40	10.20

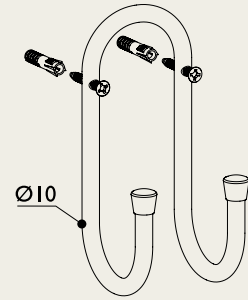
Code : 23.116



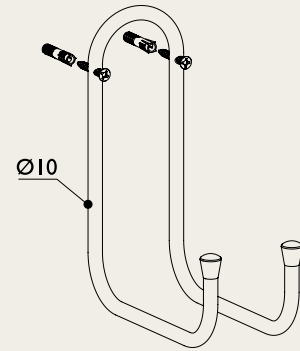
Code : 23.117



Code : 23.136

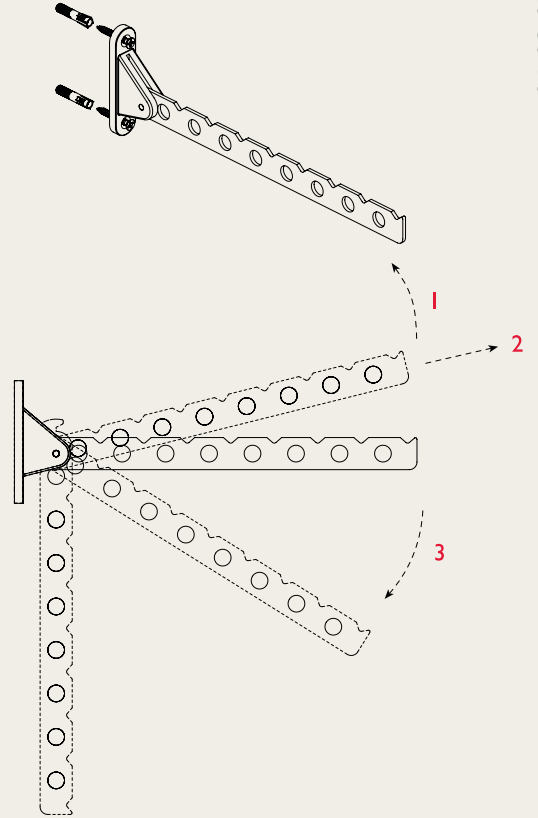


Code : 23.137



Code	Size(mm)	Material	pcs	kg
23.116	58x134x66	Steel Tube	80	8.90
23.117	66x134	Steel Tube	40	10.20
23.136	76x151x76	Steel Tube	48	6.80
23.137	76x205x170	Steel Tube	30	6.10

23.130



Colors 01,02,07,18

Length(mm)

300

Material

Steel + Plastic

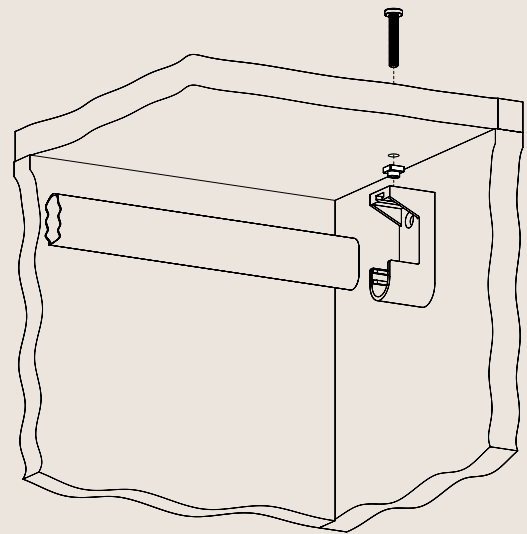


50



10.66

23.265



Colors 01,02,04,06,07

Code

23.265

Size(mm)

65x30x22

Screw(mm)

M6-4x15

Material

Plastic

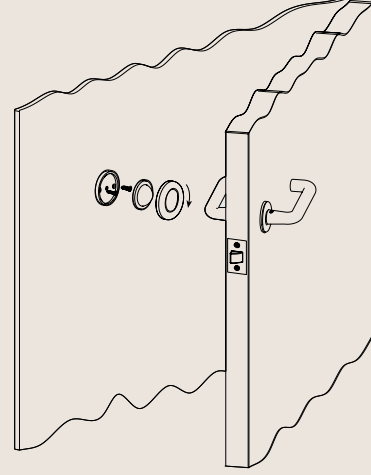


160



5.40

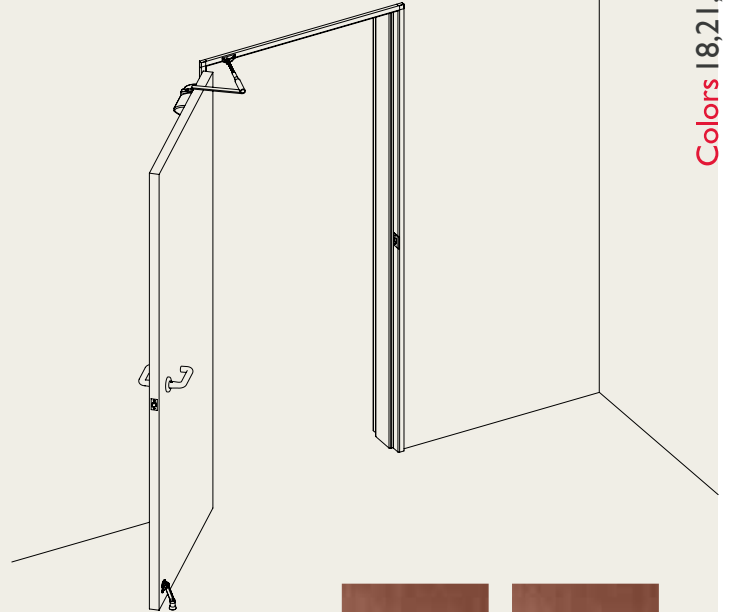
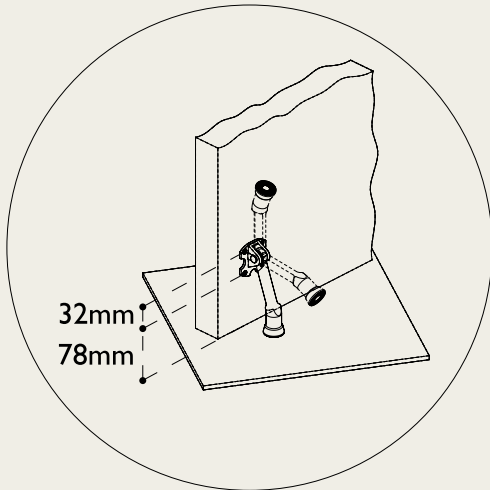
33.025



Frame Colors 16,18,21,24

Ø(mm)	H(mm)	Material	pcs	kg
64	24	Plastic	80	5.40

33.030

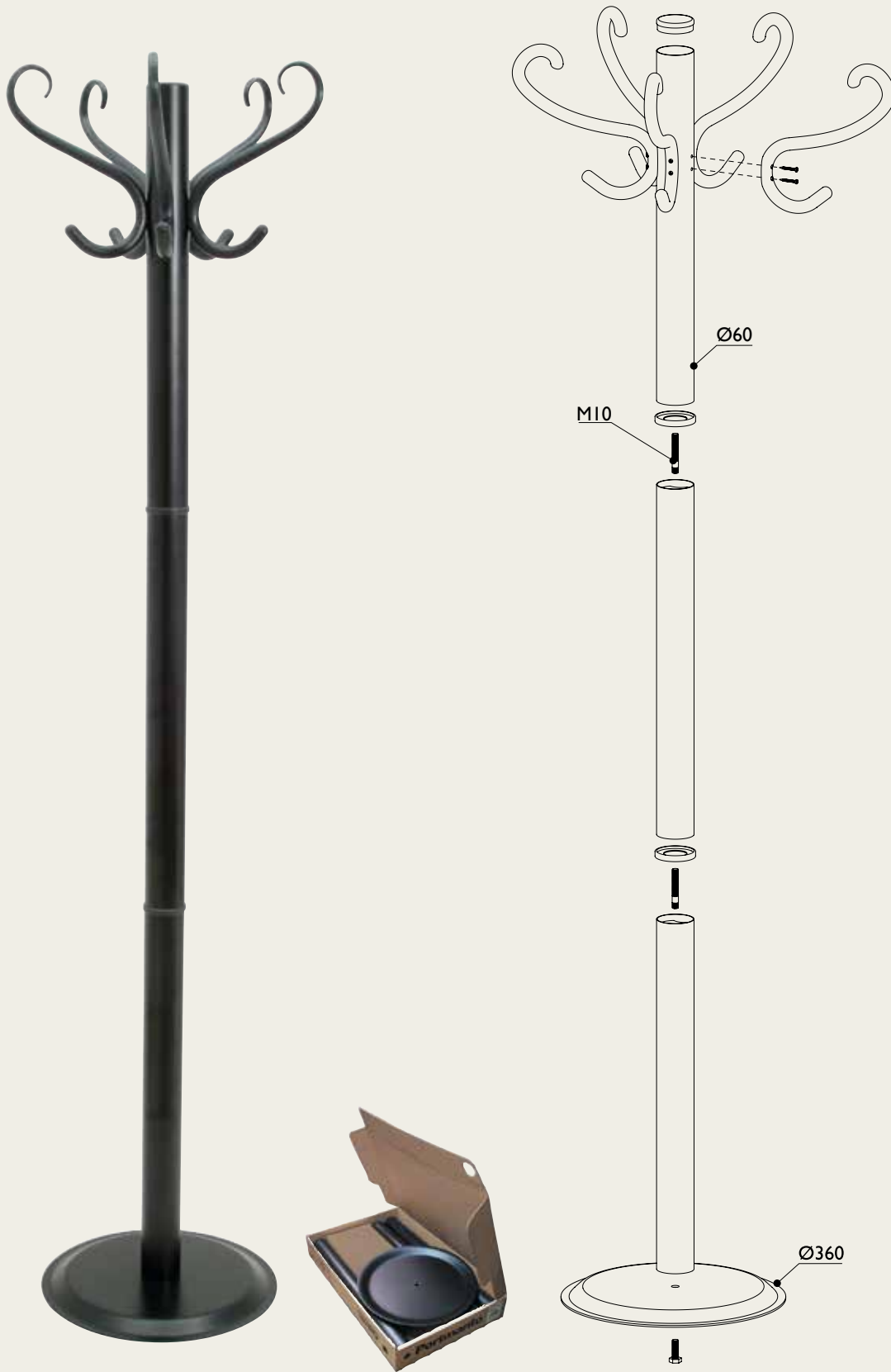


Colors 18,21,24



Length(mm)	Size(mm)	Material	pcs	kg
110	45x26	Zamak + Plastic	45	8.10

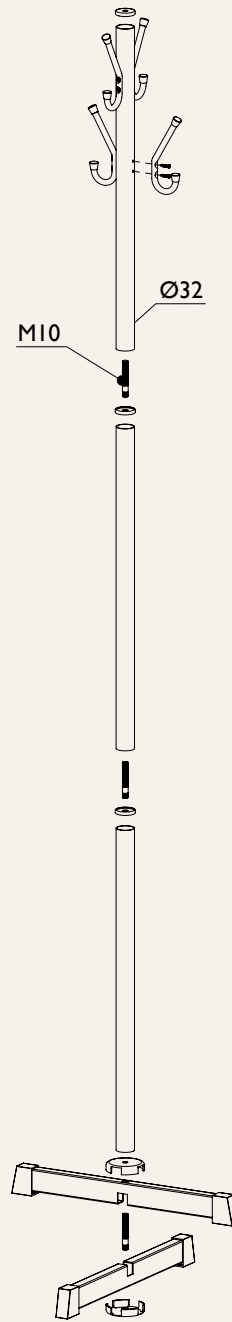
23.119



Hanger Colors 02 Tube Colors 01,02,18,21,24 Base Colors 02

ØBase(mm)	Height (mm)	Material	set	kg
360	1850	Steel + Plastic Hangers	1	7.70

23.118

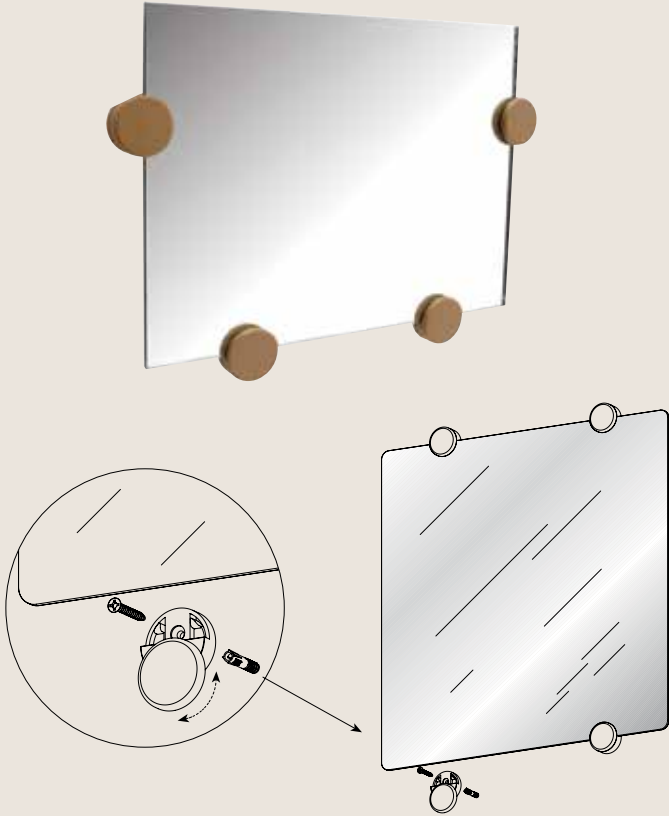


Base Colors 02 Tube Colors 01,02,18,21,24 Hanger Colors 01,02,18,21,24

Base Size (mm)	Height (mm)	Material	set	kg
420	1800	Steel	1	3.50

27.101

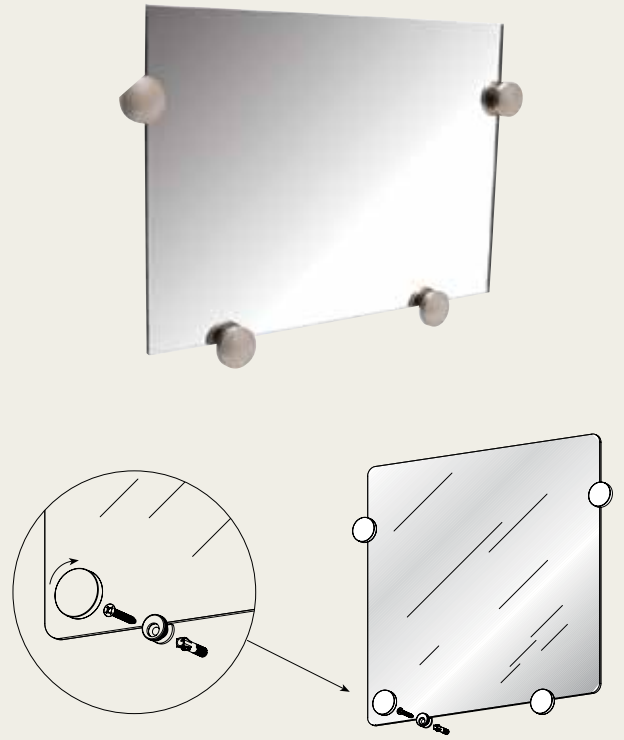
Colors 01,02,06,07



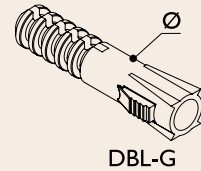
Ø(mm) 36 Material Plastic pcs 80 kg 5.70

27.102

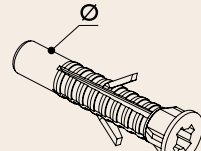
Colors 16,18,21,24



Ø(mm) 28 Material Plastic set 100 kg 3.40



DBL-G



UDB-A

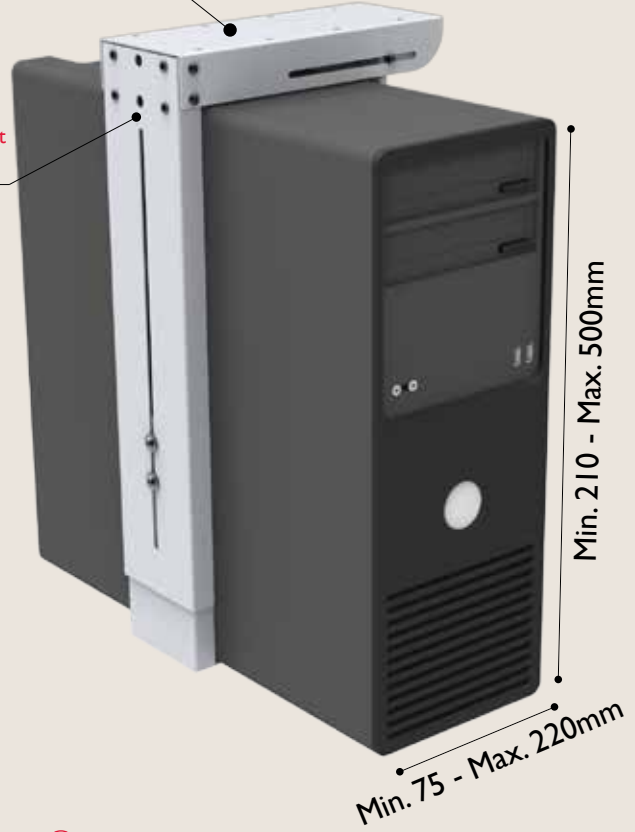
Code	Ø (mm)	Material	Colors	pcs	kg
37.DBL.05G	5	Plastic	Brown	25000	5.94
37.DBL.06G	6	Plastic	Green	12500	5.13
37.DBL.07G	7	Plastic	Yellow	7000	4.03
37.DBL.08G	8	Plastic	Red	5000	5.31
37.DBL.10G	10	Plastic	Blue	2500	5.39
37.UDB.06A	6	Nylon	White	6000	4.51
37.UDB.08A	8	Nylon	Grey	3000	4.24

35.291



Table Frame Attachment
Masa Iskelet Bağlantısı

Table Top Attachment
Masa Tabla Bağlantısı



Colors 01,02,10

Material

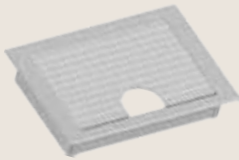


Steel

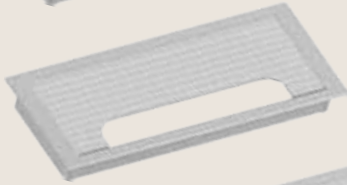
1

2.40

Code .
35.270



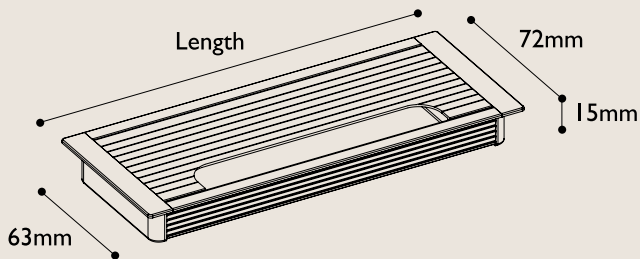
Code .
35.271



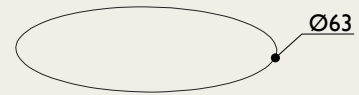
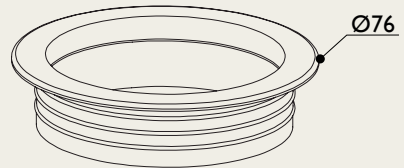
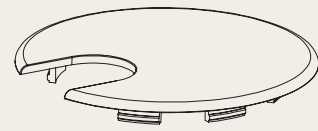
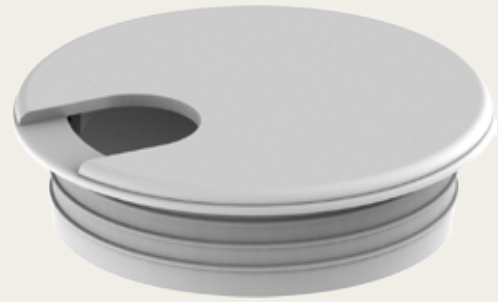
Code .
35.272



Colors 45

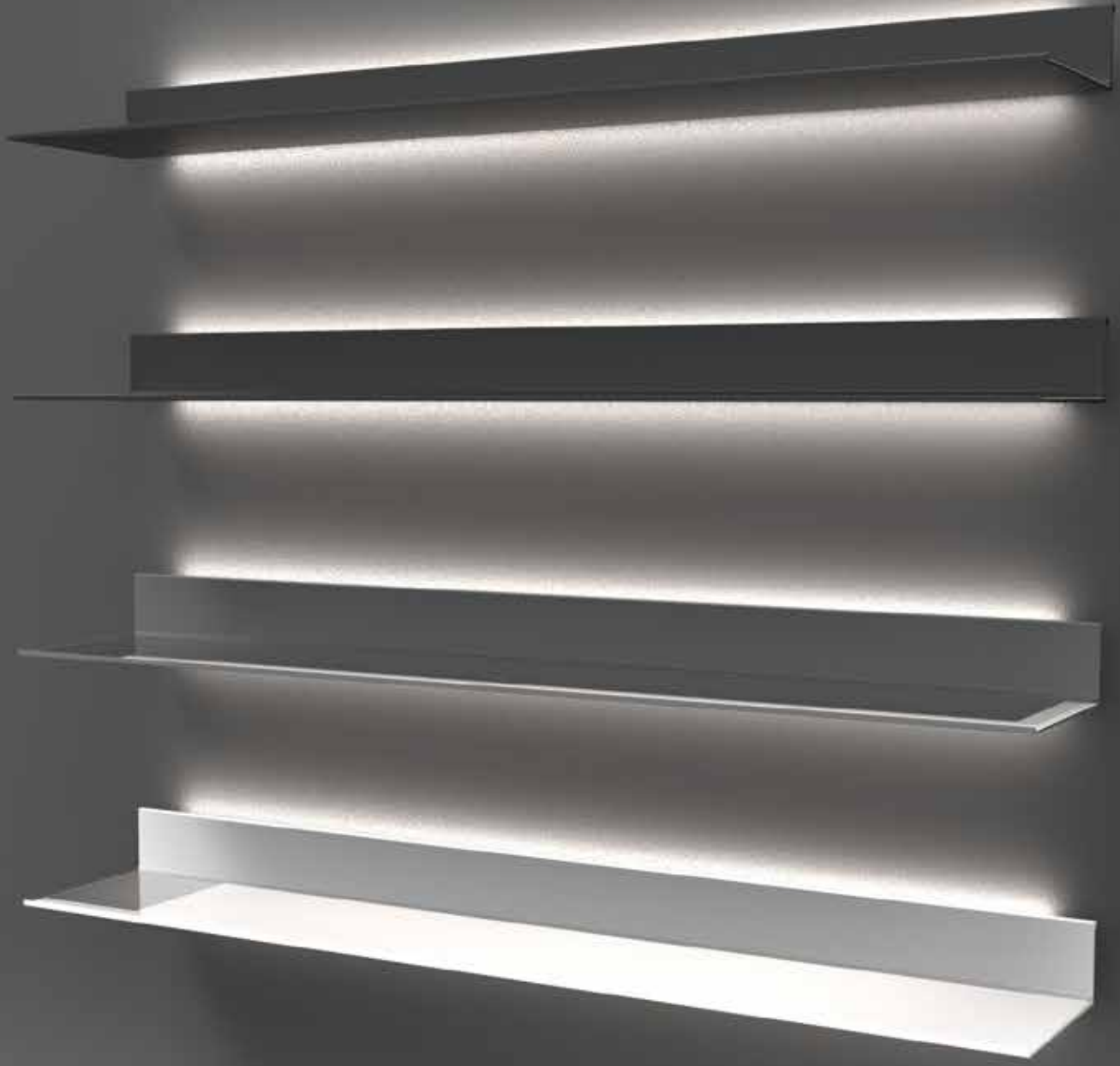


Code	Length(mm)	Material	set	kg
35.270	95	Aluminium	150	6.74
35.271	168	Aluminium	80	6.36
35.272	240	Aluminium	60	6.68

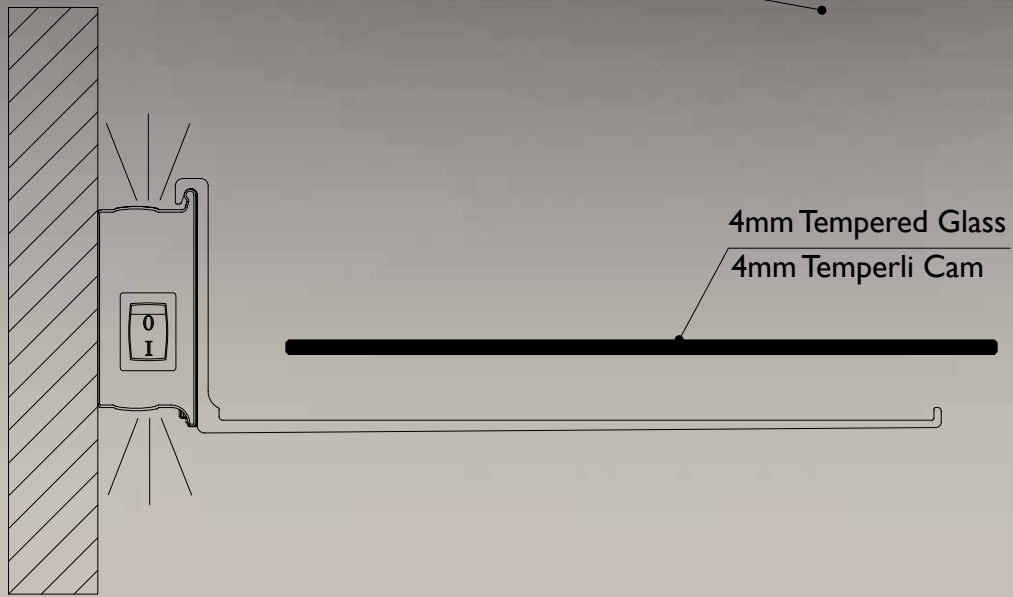
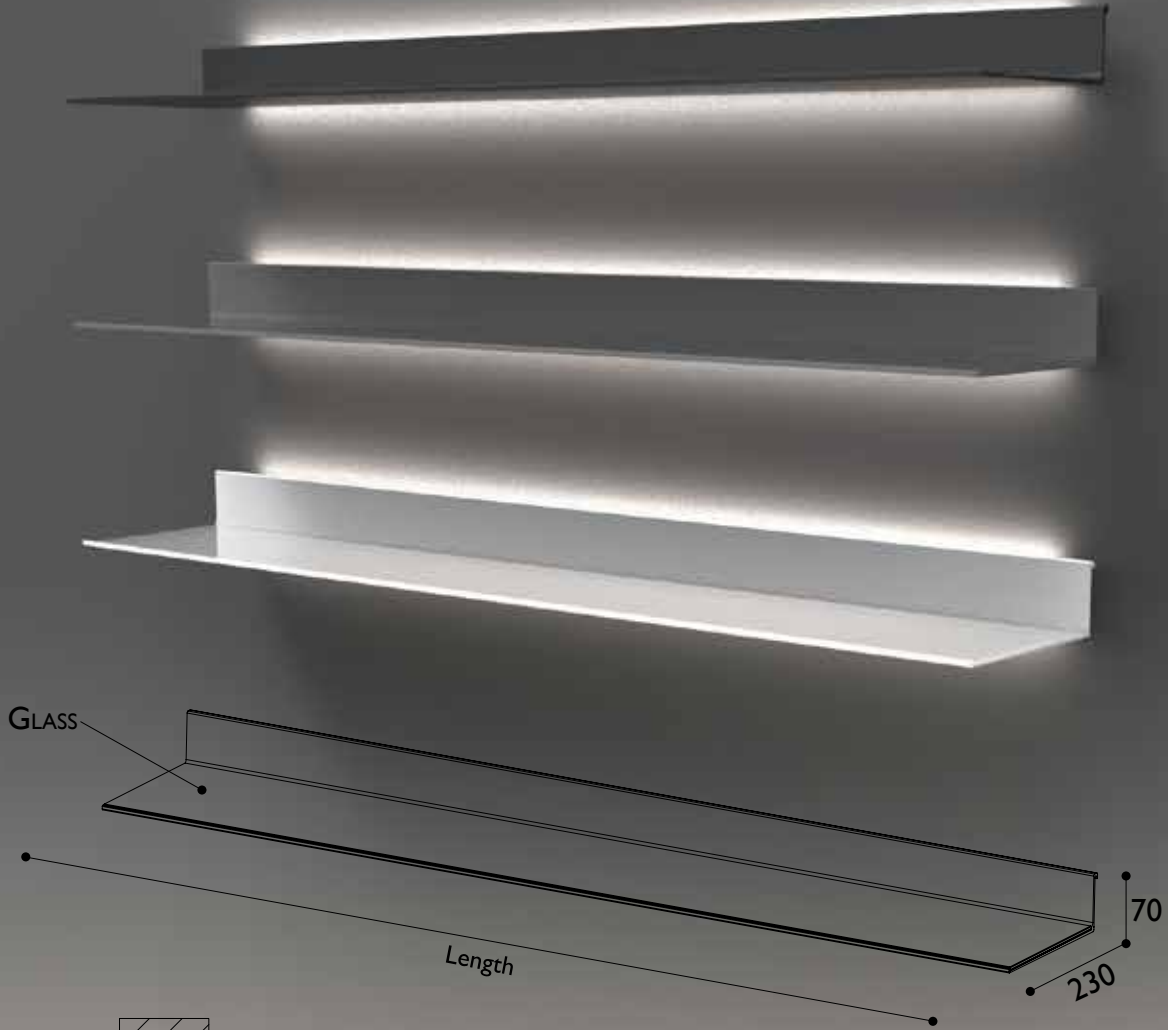


Colors 01,02,04,06,07,55,56,65,68

Code	Ø(mm)	Material	set	kg
35.280	76	Plastic	160	3.86



IŐIKLI ÜRÜNLER LIGHTED PRODUCTS



Code	Length(mm)	Material	pcs	kg
21.282	600	Aluminum + Glass	1	3.30
21.283	900	Aluminum + Glass	1	5.00
21.284	1200	Aluminum + Glass	1	6.50





Code: 39.090

Code: 39.091



TUBELIGHT

-
-
-
-
-
-
-
-
-
-

Code	Ø(mm)	H(mm)	Material	 pcs	 kg
39.090	42	690	Steel	1	0.90
39.091	42>16	430	Steel	1	0.80



Frame Colors 45,46

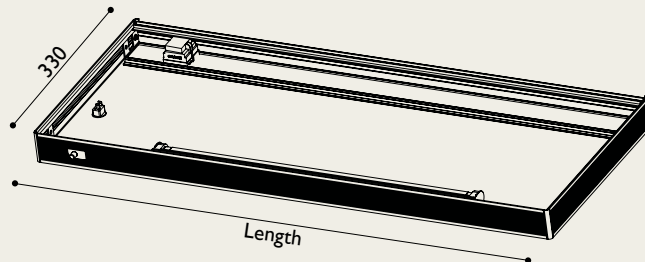


Anahtarlı / On Off Switch

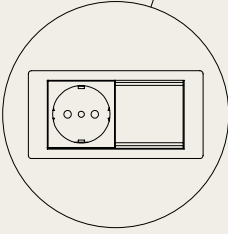


Code	Length(mm)	Material	Fluorescent Tube	Current	pcs	kg
21.481	400	Aluminium+Glass	T5 / 8W / 4200K	220 V	1	2.40
21.482	600	Aluminium+Glass	T5 / 13W / 4200K	220 V	1	3.40
21.483	900	Aluminium+Glass	T5 / 21W / 4200K	220 V	1	5.00
21.484	1200	Aluminium+Glass	T5 / 28W / 4200K	220 V	1	6.55

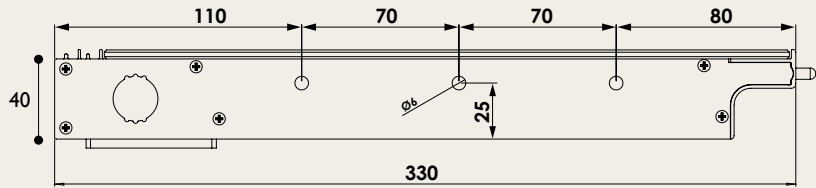
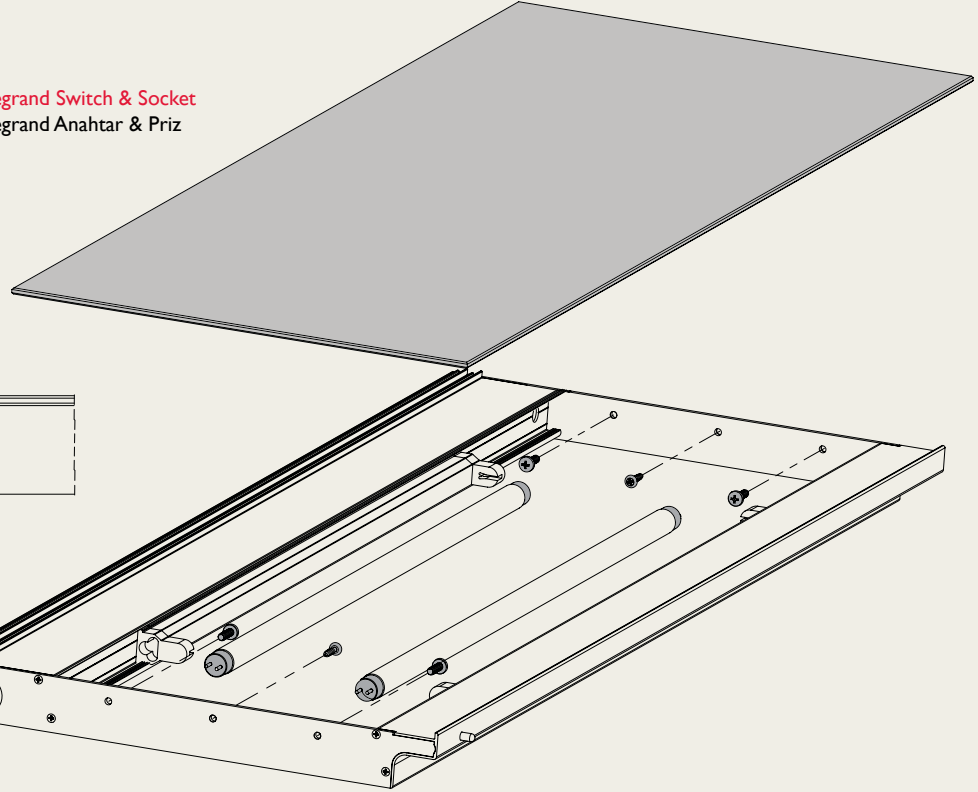
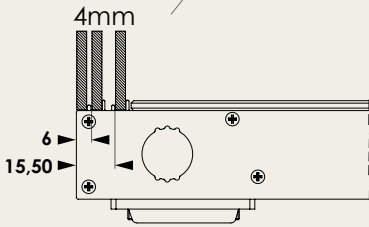
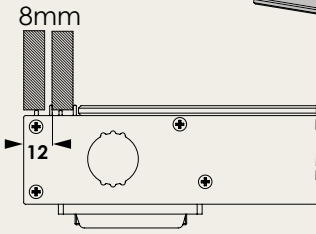
Mutfak Dolapları için Işıklı Raf / Lighted Shelf for Kitchen Modules



Code	Module Size	Length(mm)	Material	Fluorescent Tube	Current	pcs	kg
21.491	450	414	Aluminium+Glass	T5 / 8W / 4200K	220 V	1	4.50
21.492	600	564	Aluminium+Glass	T5 / 13W / 4200K	220 V	1	5.50
21.493	900	864	Aluminium+Glass	T5 / 13W / 4200K	220 V	1	8.00



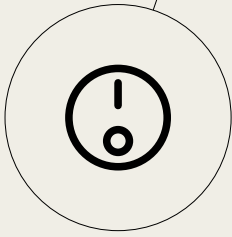
Legrand Switch & Socket
Legrand Anahtar & Priz



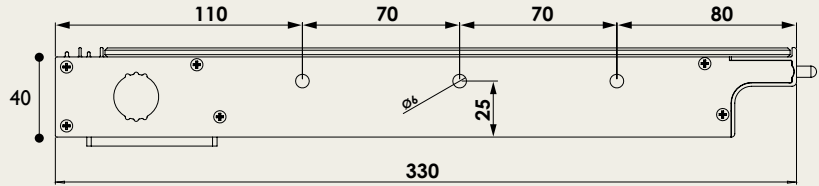
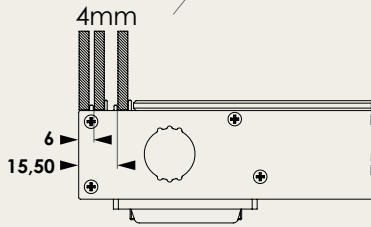
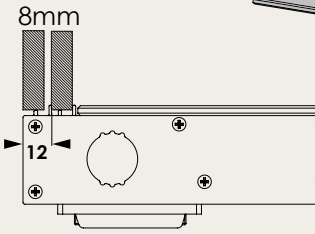
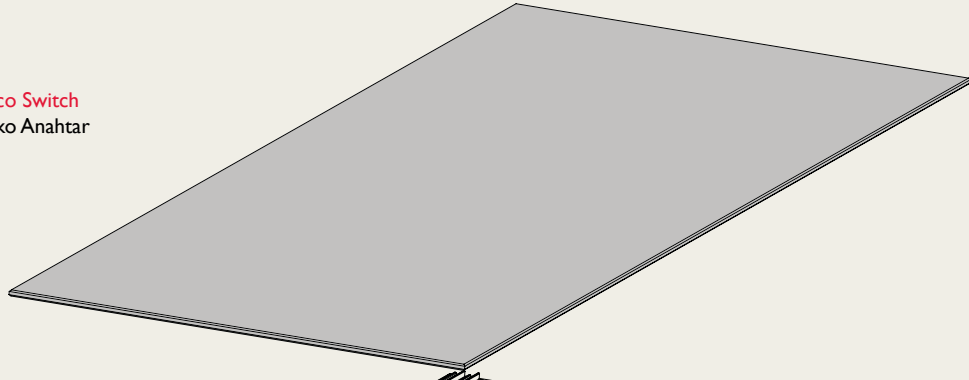
FrameColors 46



Code	Module Size	Length(mm)	Material	Fluorescent Tube	Current	pcs	kg
21.497	600	564	Aluminium+Glass	T5 / 13W / 4200K	220 V	1	4.98
21.497.L	600	564	Aluminium+Glass	T5 / 13W / 4200K	220 V	1	4.73
21.498	900	864	Aluminium+Glass	T5 / 13W / 4200K	220 V	1	7.20
21.498.L	900	864	Aluminium+Glass	T5 / 13W / 4200K	220 V	1	7.01
21.499	1200	1164	Aluminium+Glass	T5 / 21W / 4200K	220 V	1	9.58
21.499.L	1200	1164	Aluminium+Glass	T5 / 21W / 4200K	220 V	1	9.30



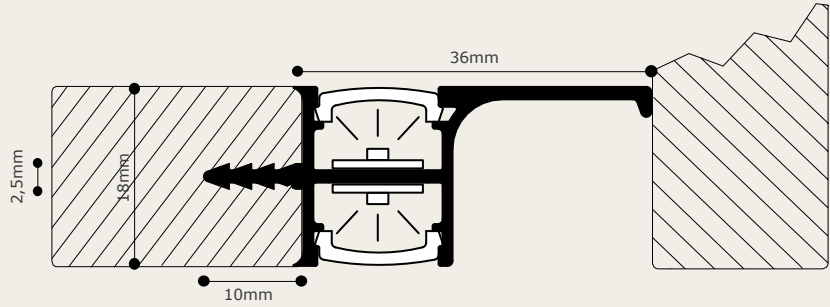
Eco Switch
Eko Anahtar



FrameColors 46



Code	Module Size	Length(mm)	Material	Fluorescent Tube	Current	pcs	kg
21.497.E	600	564	Aluminium+Glass	T5 / 13W / 4200K	220 V	1	4.81
21.497.EL	600	564	Aluminium+Glass	T5 / 13W / 4200K	220 V	1	4.55
21.498.E	900	864	Aluminium+Glass	T5 / 13W / 4200K	220 V	1	7.27
21.498.EL	900	864	Aluminium+Glass	T5 / 13W / 4200K	220 V	1	7.10
21.499.E	1200	1164	Aluminium+Glass	T5 / 21W / 4200K	220 V	1	9.38
21.499.EL	1200	1164	Aluminium+Glass	T5 / 21W / 4200K	220 V	1	9.05



Adapter Not Included
Adaptör Dahil Degildir

Code	Module Size	Length(mm)	Material	Current (A)
39.131	600	564	Aluminium	0.64
39.132	900	864	Aluminium	0.96
39.133	1200	1164	Aluminium	1.28

Frame Colors 46

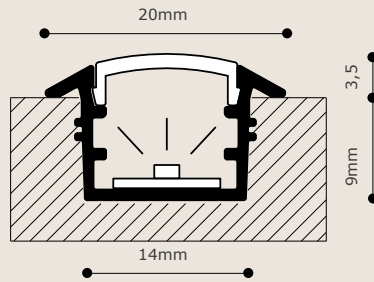


Code : 39.110

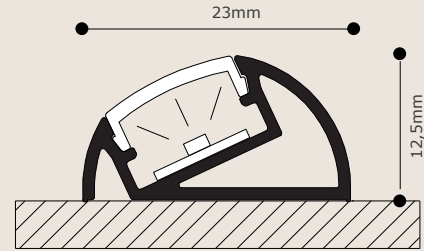


Code : 39.113

Code : 39.110



Code : 39.113



Adapter Not Included
Adaptör Dahil Degildir

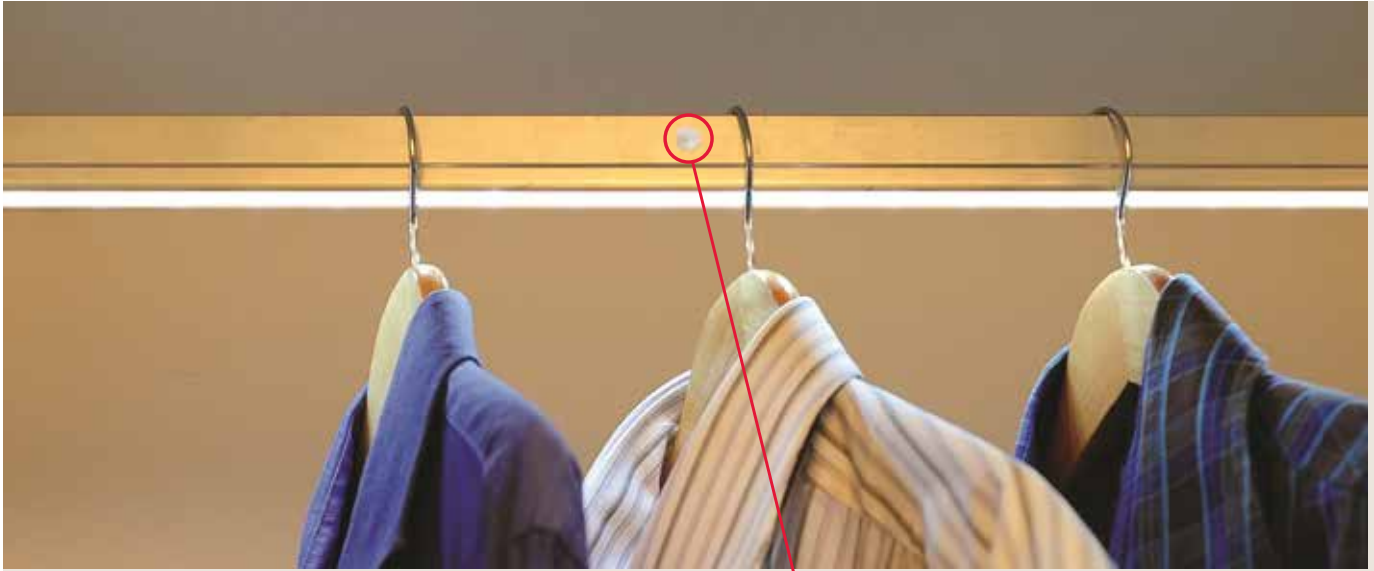
39.110	+	39.110.E	+	39.110.E	+	...
30cm		10cm		10cm		
39.113	+	39.113.E	+	39.113.E	+	...
30cm		10cm		10cm		

Code	Length(mm)	Material	Overall WxH	Recessed WxH	Current (A)	
39.110	300	Aluminium	20x11.5 mm	15x9 mm	0.16	
39.110.E	100	Aluminium	20x11.5 mm	15x9 mm	0.04	
39.113	300	Aluminium	20x12.5 mm		0.16	
39.113.E	100	Aluminium	20x12.5 mm		0.04	
39.111	300	Aluminium	20x11.5 mm	15x9 mm	0.16	DOKUNMATIK
39.114	300	Aluminium	20x12.5 mm		0.16	DOKUNMATIK

Frame Colors 45



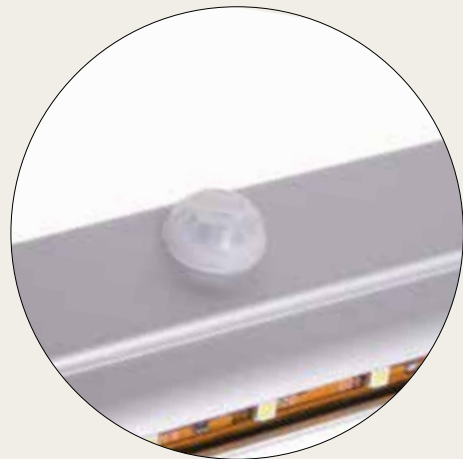
Işıklı Askı Borusu / Hangrail with Ligthing



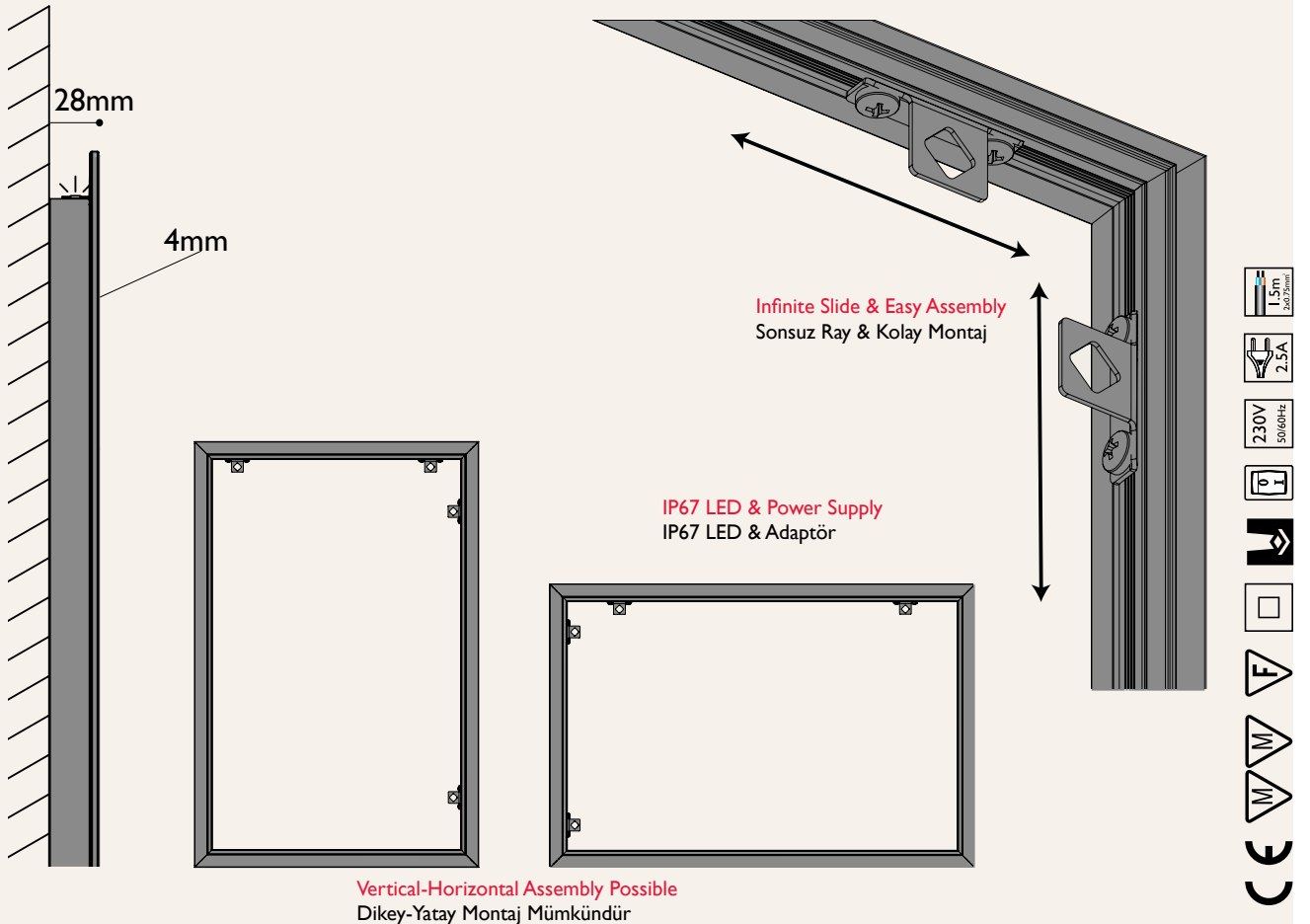
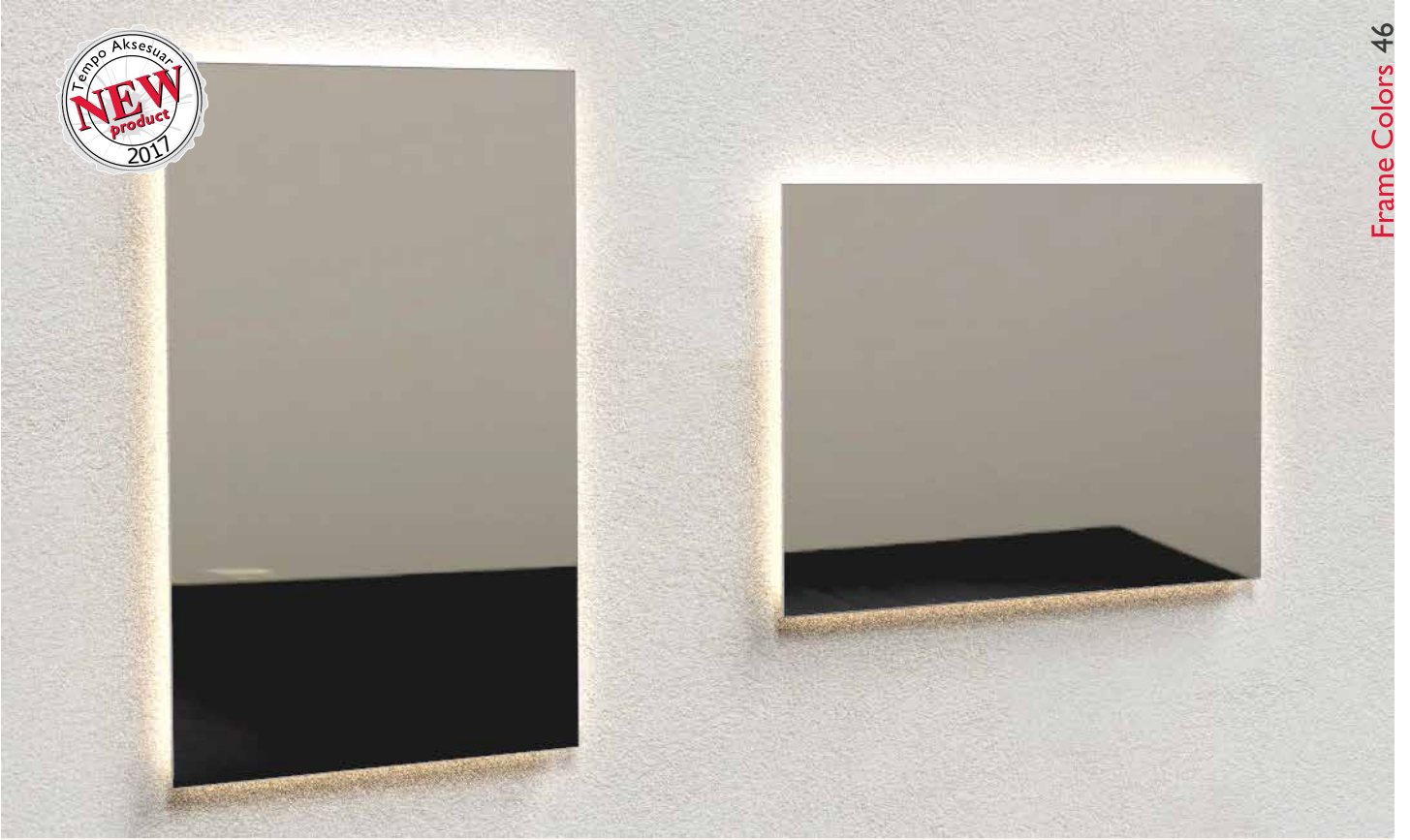
Code	Module Size	Length(mm)	Material	pcs	kg
23.262	450	414	Aluminium	1	0,365
23.267	600	564	Aluminium	1	0,480
23.268	900	864	Aluminium	1	0,563
23.269	1200	1164	Aluminium	1	0,735



Code	Voltage (DC)	Current (A)
39.110.TRA.1	12	1
39.110.TRA.1,5	12	1,5
39.110.TRA.2	12	2
39.110.TRA.3	12	3
39.110.TRA.5	12	5
39.110.TRA.8,5	12	8,5



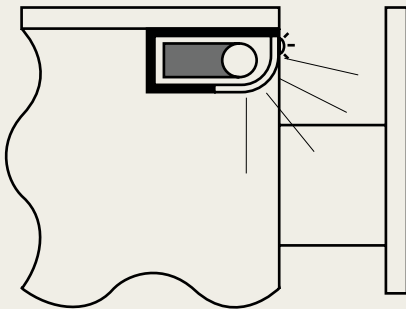
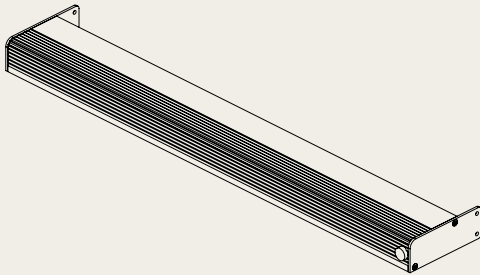
Code	Op.Voltage	Waiting Time	Dist.	Out. Current
39.110.SNS	3-12 vdc	20 sec.	3 mt	2 A



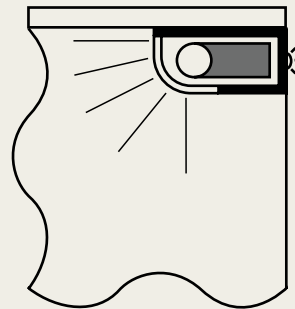
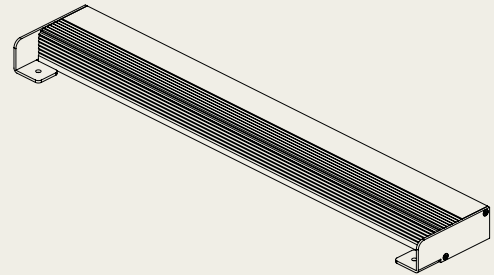
Code	Length(mm)	Width(mm)	Material	pcs	kg
27.130	900	600	Aluminium+Mirror 4mm	1	6.75



Code. 39.120-121-122-123



Code. 39.125-126-127-128



Code	Length(mm)	Module Size	Fluorescent Tube	Material	pcs	kg	Colors
39.120	414	450	T5 / 8W / 4200K	Aluminium	1	0,46	45
39.121	564	600	T5 / 8W / 4200K	Aluminium	1	0,55	45
39.122	864	900	T5 / 13W / 4200K	Aluminium	1	0,78	45
39.123	1164	1200	T5 / 21W / 4200K	Aluminium	1	1,10	45
39.125	414	450	T5 / 8W / 4200K	Aluminium	1	0,46	45
39.126	564	600	T5 / 8W / 4200K	Aluminium	1	0,55	45
39.127	864	900	T5 / 13W / 4200K	Aluminium	1	0,78	45
39.128	1164	1200	T5 / 21W / 4200K	Aluminium	1	1,10	45

The following conditions will be deemed to have been accepted by the customer:

- This pricelist is regulated for vendors and wholesalers, with ExWorks (EXW), with pickup from the Tempo Factory Location.
- Tempo Aksesuar reserves the right at any time to modify one section or whole of prices and sale conditions without pre-announcement.
- Price validity is **15 days** within first Request for Quotation.
- Products with manufacturing defects can be returned in **15 days**. If not the products can not be returned.
- In case of **Forward Sales**, the invoice date is taken into consideration.
- The buyer assumes all risks of the ordered goods .The buyer is responsible for the transportation.
- All prices in this Price list is in Euros (€)
- **Euro** prices will be multiplied with Central Bank's Exchange Rate.
- Special Orders are delivered within 10 week days, after **order confirmation** and after **payment**.
- Special Orders cannot be returned.
- Export quantities are rounded up to match the box or package quantities.
- **V.A.T. is not included in the price.**

This catalog is intended exclusively for use by the recipient. It is, in its entirety, the property of TEMPO AKSESUAR A.S ISTANBUL. Tempo Aksesuar reserves all rights connected with the copyright for this catalog. Unauthorized copying or reproducing of this catalog in whole or in part, by any recipient hereof for any purposes not permitted without our prior written consent. Tempo Aksesuar reserves the right to make technical modifications without prior notice.

No guarantee is given with regard typing errors and mistakes
© TEMPO AKSESUAR A.S ISTANBUL. All rights reserved.



CERTIFICATE

TEMPO AKSESUAR SANAYİ VE TİCARET ANONİM ŞİRKETİ

YEŞİLCE MAH. GÖKTÜRK CAD. NO:16A KAĞITHANE İSTANBUL

OHSAS 18001:2007

DESIGN, PRODUCTION, MARKETING AND SALES OF
ACCESSORIES FOR FURNITURE AND DECORATION

With this certificate, the holder of the certificate has been audited on the address mentioned above by TRB Certification Body in accordance with the conditions and requirements of the license contract and it has been registered that the company satisfies the conditions of the standard. This certificate is valid as long as the certificate holder follows TRB certification rules and the certificate is seen as valid on www.trb.com.de with the certificate inquiry system.

Certificate number : 06-QC-401
Original certification : 02.12.2016
Date of issue : 02.12.2016
Expiry date : 02.12.2017
Expiry period : 3 Years
Printing number : 00


General Manager

TRB Internationale Dokumentierung Technische Kontroll- und Überwachungswesen Industrie und Handel UG
Friedenweg 17, 75203 Königbach-Stein, Deutschland Phone: +49 723231332-0 Fax: +49 723231332-10 - info@trb.com.tr



CERTIFICATE

TEMPO AKSESUAR SANAYİ VE TİCARET ANONİM ŞİRKETİ

YEŞİLCE MAH. GÖKTÜRK CAD. NO:16A KAĞITHANE İSTANBUL

ISO 10002:2004

DESIGN, PRODUCTION, MARKETING AND SALES OF
ACCESSORIES FOR FURNITURE AND DECORATION

With this certificate, the holder of the certificate has been audited on the address mentioned above by TRB Certification Body in accordance with the conditions and requirements of the license contract and it has been registered that the company satisfies the conditions of the standard. This certificate is valid as long as the certificate holder follows TRB certification rules and the certificate is seen as valid on www.trb.com.de with the certificate inquiry system.

Certificate number : 06-CS-001
Original certification : 02.12.2016
Date of issue : 02.12.2016
Expiry date : 02.12.2017
Expiry period : 3 Years
Printing number : 00


General Manager

TRB Internationale Dokumentierung Technische Kontroll- und Überwachungswesen Industrie und Handel UG
Friedenweg 17, 75203 Königbach-Stein, Deutschland Phone: +49 723231332-0 Fax: +49 723231332-10 - info@trb.com.tr



CERTIFICATE

TEMPO AKSESUAR SANAYİ VE TİCARET ANONİM ŞİRKETİ

YEŞİLCE MAH. GÖKTÜRK CAD. NO:16A KAĞITHANE İSTANBUL

ISO 14001:2004

DESIGN, PRODUCTION, MARKETING AND SALES OF
ACCESSORIES FOR FURNITURE AND DECORATION

With this certificate, the holder of the certificate has been audited on the address mentioned above by TRB Certification Body in accordance with the conditions and requirements of the license contract and it has been registered that the company satisfies the conditions of the standard. This certificate is valid as long as the certificate holder follows TRB certification rules and the certificate is seen as valid on www.trb.com.de with the certificate inquiry system.

Certificate number : 06-QC-EC-401
Original certification : 02.12.2016
Date of issue : 02.12.2016
Expiry date : 02.12.2017
Expiry period : 3 Years
Printing number : 00


General Manager



TRB Internationale Dokumentierung Technische Kontroll- und Überwachungswesen Industrie und Handel UG
Friedenweg 17, 75203 Königbach-Stein, Deutschland Phone: +49 723231332-0 Fax: +49 723231332-10 - info@trb.com.tr



CERTIFICATE

TEMPO AKSESUAR SANAYİ VE TİCARET ANONİM ŞİRKETİ

YEŞİLCE MAH. GÖKTÜRK CAD. NO:16A KAĞITHANE İSTANBUL

ISO 9001:2008

DESIGN, PRODUCTION, MARKETING AND SALES OF
ACCESSORIES FOR FURNITURE AND DECORATION

With this certificate, the holder of the certificate has been audited on the address mentioned above by TRB Certification Body in accordance with the conditions and requirements of the license contract and it has been registered that the company satisfies the conditions of the standard. This certificate is valid as long as the certificate holder follows TRB certification rules and the certificate is seen as valid on www.trb.com.de with the certificate inquiry system.

Certificate number : 06-QC-EC-401
Original certification : 02.12.2016
Date of issue : 02.12.2016
Expiry date : 02.12.2017
Expiry period : 3 Years
Printing number : 00


General Manager



TRB Internationale Dokumentierung Technische Kontroll- und Überwachungswesen Industrie und Handel UG
Friedenweg 17, 75203 Königbach-Stein, Deutschland Phone: +49 723231332-0 Fax: +49 723231332-10 - info@trb.com.tr

Yeşilce Mah. Göktürk Cad. No: 16, 34418, Kağıthane, İstanbul, Türkiye

Tel: +90 (212) 280 30 00 Fax: +90 (212) 268 59 13

www.tempotr.com info@tempotr.com

BASKI

Bu katalog sadece müşteri kullanımı için hazırlanmıştır. TEMPO AKSESUAR A.Ş.'nin malıdır. Bu katalogla ve ürünlerle ilgili tüm telif hakları firmamıza aittir. Yazılı izniniz olmaksızın katalog veya bir bölümü çoğaltılamaz. Önceden bildirmeksizin teknik değişiklik yapma hakkımız saklıdır. Yazım hataları ve yanlışlıklar bağlayıcı değildir.

© 2017 TEMPO AKSESUAR A.Ş. Tüm hakları saklıdır.

IMPRINT

This catalog is intended exclusively for use by the recipient. It is, in its entirety, the property of TEMPO AKSESUAR A.S. ISTANBUL. We reserve all rights connected with the copyright for this catalog. Unauthorized copying or reproducing of this catalog in whole or in part, by any recipient hereof for any purposes not permitted without our prior written consent. We reserve the right to make technical modifications without prior notice. No guarantee is given with regard typing errors and mistakes.

© 2017 TEMPO AKSESUAR A.S. ISTANBUL. All rights reserved.

TEMPO®

AKSESUAR

www.tempotr.com
info@tempotr.com

© 2018 TEMPO AKSESUAR. ALL RIGHTS RESERVED.

İSTANBUL MERKEZ

Yeşilce Mah. Göktürk Cad.
No: 16, 34418, Kağıthane
Tel: +90 (212) 280 30 00
Fax: +90 (212) 268 59 13

TEMPO ANKARA

Çamlıtepe Cad.
No: 319, Siteler, ANKARA
Tel: +90 (312) 353 32 23
Fax: +90 (312) 353 32 25

TEMPO FABRİKA

Hadımköy Mah. 75.Yıl Cad.
No.23, Arnavutköy, İSTANBUL
Tel: +90 (212) 771 12 00
Fax: +90 (212) 771 46 85



www.kosgeb.gov.tr
Basım Tarihi: 10.10.2017
Baskı Adedi: 4000
Amorfi Nüans Görsel Sanatlar ve
İletişim Hizmetleri San. ve Tic. A.Ş.

MADE IN TÜRKİYE